

## Configuration Menu...continued

- n Picture Settings -  
Adjust Brightness, contrast and  
colour saturation.

| Infodapter Settings  |  |
|----------------------|--|
| Screen Size/Position |  |
| Picture Settings     |  |
| Preferences          |  |
| <Back                |  |

- o Preferences -

**Driver Position** - Select Left or Right depending upon vehicle configuration.

**Park Assist Version** - Select according to the colour configuration of the park assist fitted to the vehicle.

**Camera Connected** - Select Yes if an optional camera is connected.

**Reverse Priority\*** - Select which image (Camera or Park Assist) will be shown by default when reversing. The driver can select the desired image by pushing the Source button (Fig.3) while reversing. (\*Note this option is only available when Camera Connected is set to Yes)

**Park Brake Source** - Set to Speed, Brake or Always On.

**Bluetooth** - Select On if aftermarket head unit has Bluetooth built in. Pick up/hang up buttons on the steering wheel will be enabled.

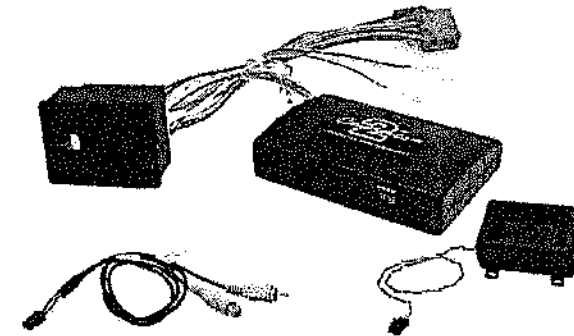
**Steering Wheel** - Select 6 function or 7 function type depending upon vehicle.

**Logo\*** - Select for relevant vehicle or head unit brand logo to be shown on the dash display. (\*Note that this option will only appear for supported four line dash displays. OEM navigation display is not supported)

**Restore factory settings** - Reverts all Infodapter settings to factory defaults. (This does not restore vehicle settings)

| Preferences              |             |
|--------------------------|-------------|
| Driver Position          | Right       |
| Park Assist Version      | 0           |
| Camera Connected         | Yes         |
| Reverse Priority         | Park Assist |
| Park Brake Source        | Speed       |
| Bluetooth                | On          |
| Steering Wheel           | 7 Function  |
| Logo                     |             |
| Restore factory settings |             |
| < Back                   |             |

## CTUBU01/CTUCV01/CTUVX01 INFODAPTER



## INSTRUCTION MANUAL

### Legal Information

Please consult the relevant road traffic laws governing the country in which this product is being operated. No liability is accepted for material damage, loss or personal injury, directly or indirectly, from installation and operation of this product. This product should only be operated when safe to do so.

## ABOUT

The Connects2 Infodapter for GM vehicles allows vehicle information such as climate control, parking sensors and heated seats to be displayed on any aftermarket head unit with rear camera input. Extensive vehicle settings can also be adjusted from the steering wheel controls. The infodapter also allows the use of the steering wheel controls with almost every steering wheel control compatible head unit on the market.

## DIP SWITCH SETTINGS

See Fig 1.

Up = Off, Down = On

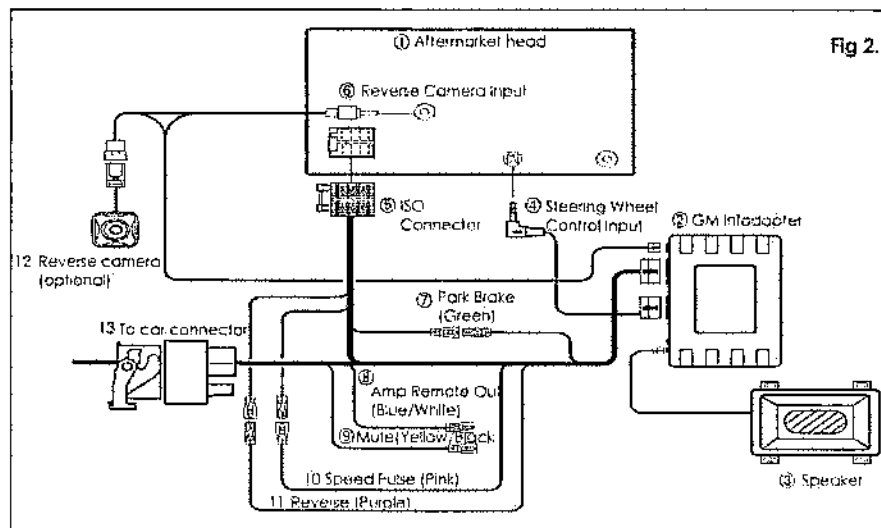
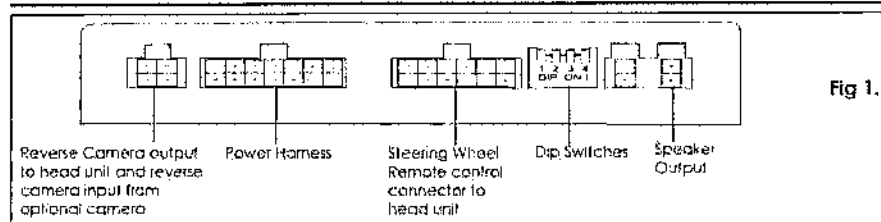
1: On = Pioneer head units. Off = All other head units

2: Setting for reverse camera. On = PAL, Off = NTSC. The default setting is Off (NTSC).

3: Resets the display settings back to default. If the display settings have been manipulated in a way that it is no longer possible to make adjustments, change the DIP switch #3 from Off to On and back. This will reset the screen settings to the factory defaults. During this procedure the screen background will change to red. While the background is red, no settings can be made.

4: Not applicable

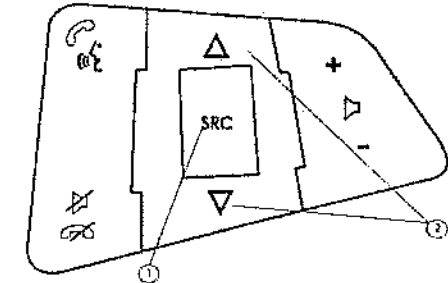
## Interface Connections



## Steering Wheel Controls

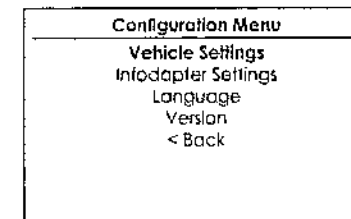
① Source Button

② Track Up/Down

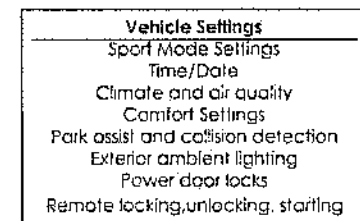


## Configuration Menu

To access the menu, **push and hold the source button** for 2 seconds (Fig. 3). This will enable the configuration menu. To navigate through the menu options use the **Track Up/Track Down** buttons. To select a menu option, push the **source button once**.



- **Vehicle Settings**  
Vehicle settings can be adjusted via the menu. All vehicle setup options that were available with the original head unit, are now available through the aftermarket head unit. See the vehicle handbook for more information regarding these features.



- **Infodapter Settings**

- Screen Size/Position - Make sure all 4 corner markers are touching the corners of the aftermarket head unit display.

