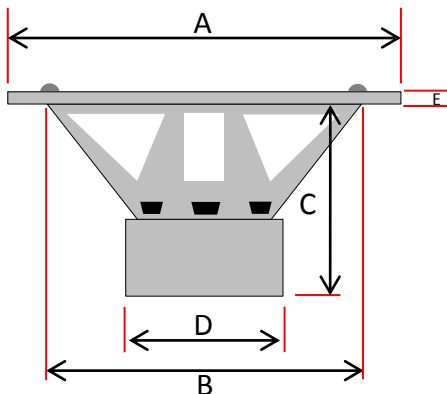




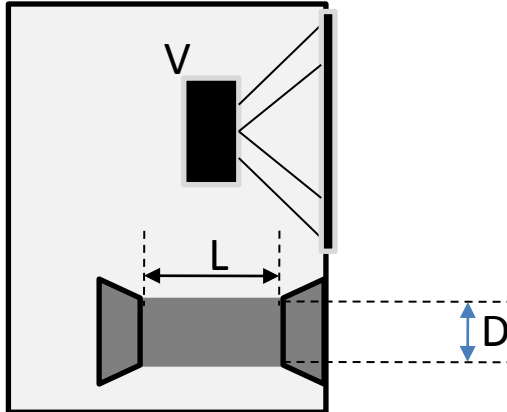
TECHNICAL SPECIFICATIONS

Product name	GZRW 25XSPL-D2	Gasket	Rubber
Product type	Subwoofer chassis	Terminal	Chrome Push terminal
H.Art .nr.	125067	Power handling	1200 W SPL Power
Diameter	272 mm / 10.71"	Impedance	2 x 2 Ohm
Mounting diameter	233 mm / 9.17"	Re	3.83 Ohm
Mounting depth	148 mm / 5.83"	Res	45,96 Ohm
Magnet dimension	2 x 140 x 20 mm	FS	44.8 Hz
Total weight	5,9 KG	Qms	8.359
Voice coil diameter	63 mm / 2.5" Round Wire	Qes	0.696
Voice coil winding height	25 mm / 0.98"	Qts	0.643
Voice coil wire material	Copper	Rms	6,387 kg/s
Voice coil former material	Aluminium	Cms	0.066 mm/N
Top plate height	10 mm / 0.3937"	Mms	189,54 gr
Linear excursion (one direction)	7.5 mm / 0.295"	BL	17,133 N/A
Effective Xmax	22 mm / 0.9"	SPL	85 dB
Top Plate and T-Yoke color	Black	VAS	10,25 L / 0.362 cu.ft
Basket material	Steel	Le	3,155 mH
Basket color	Yellow	Recommended freq. response	40 – 150 Hz
Spider	2x Polycot	Recommended amplifier power	600 – 1200 WRMS @ 4 Ohm (1 Ohm)
Surround	U Shape Foam	Sound Quality	☺☺ (max. ☺☺☺☺☺☺)
Cone	Reinforced Paper	SPL Competition	☺☺☺☺ (max. ☺☺☺☺☺☺)
Dustcap	Convex IMPP with 3D Logo	Low bass performance 20-50Hz	☺☺ (max. ☺☺☺☺☺☺)
Magnetcover	Rubberboot	Mid bass performance 50-80Hz	☺☺☺ (max. ☺☺☺☺☺☺)



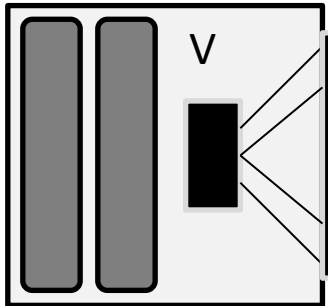
A	272 mm / 10.71 "
B	233 mm / 9,17"
C	148 mm / 5.83"
D	150mm / 5.9"
E	17 mm / 0.67"



BOX RECOMMENDATION

Big size vented box

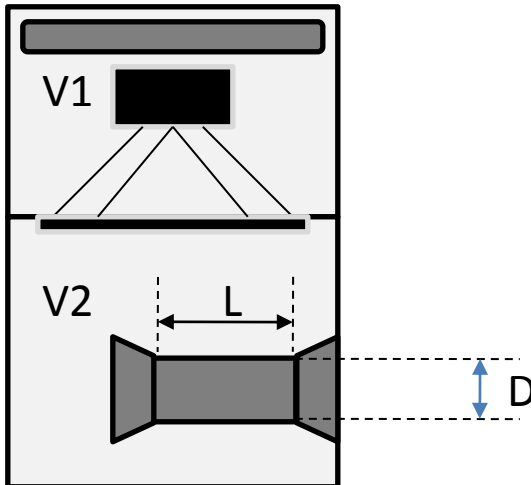
V: 45 L / 1.59 cu.ft
 D: 2x 80 mm / 2x 3,15"
 L: *220 mm / 8,7"

No damping


Medium size sealed box

8– 20 L / 0.28 – 0.706 cu.ft
 Qtc. 0.77- 0.61

40 - 60% polyester wool


Medium size bandpassbox

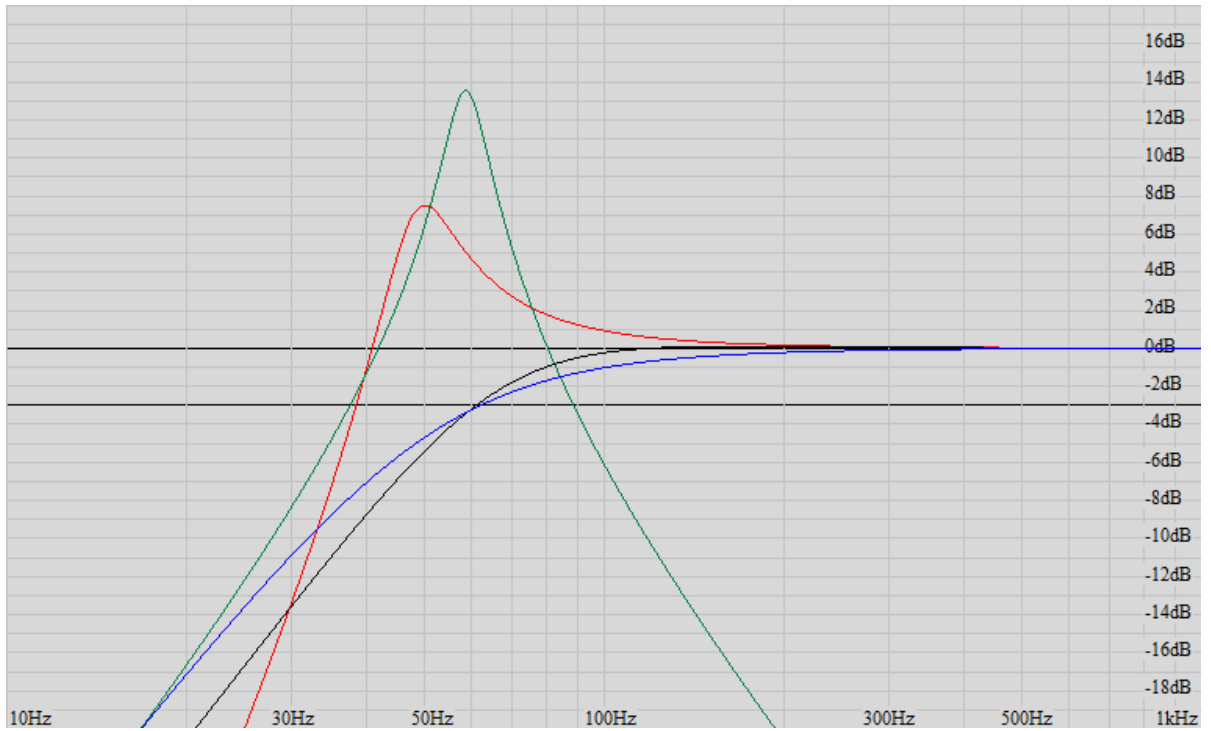
V1: 15 L / 0.53 cu.ft
 V2: 30 L / 1.06 cu.ft
 D: 2x 80 mm / 2x 3.15"
 L: *220 mm / 8.7"

20% polyester wool in V1
 No damping in V2

Die hier aufgeführten Gehäusevorschläge sind nur einige, der möglichen Varianten.
 Bitte beachten Sie zudem, dass die finale Abstimmung, speziell die Port Längen je nach Fahrzeug und eigenem Geschmack variiert werden sollte.
 Above-mentioned enclosure recommendations are just a few possible variations.
 Please note that you should find the perfect tuning, especially port length, based on your car and own taste.



BOX RECOMMENDATION



Curve	Type	Volume	F3/ Qtc
Red	Vented	45 L / 1.59 cu.ft	38 Hz
Black	Sealed	8 L / 0.28 cu.ft	61 Hz / 0.77
Blue	Sealed	20 L / 0.706 cu.ft	61 Hz / 0.61
Green	Bandpass 4th order	V1: 15 L / 0.53 cu.ft V2: 30 L / 1.06 cu.ft	Centerfreq. 59 Hz

Die hier aufgeführten Gehäusevorschläge sind nur einige, der möglichen Varianten.

Bitte beachten Sie zudem, dass die finale Abstimmung, speziell die Port Längen je nach Fahrzeug und eigenem Geschmack variiert werden sollte.

Above-mentioned enclosure recommendations are just a few possible variations.

Please note that you should find the perfect tuning, especially port length, based on your car and own taste.

