

GZUW 12SQX

GROUND ZERO[®]
GERMAN ENGINEERING



KLIPPEL



GROUND ZERO GmbH – Erlenweg 25 – 85658 Egmating – Germany

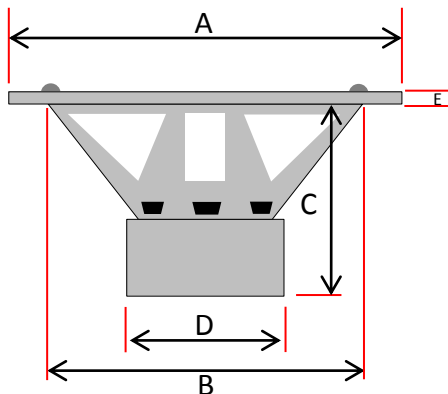


GroundZeroAudioCom

www.ground-zero-audio.com
info@ground-zero-audio.com

TECHNICAL SPECIFICATIONS

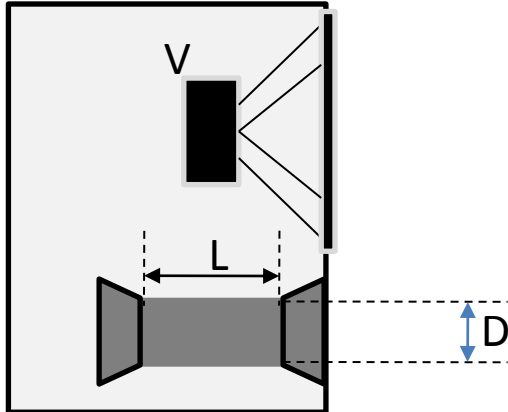
Product name	GZUW 12SQX	Gasket	PVC
Product type	Subwoofer chassis	Terminal	Screw Block
H.Art .nr.	125034	Power handling	600 WRMS
Diameter	315 mm / 12.40"	Impedance	2 x 2 Ohm
Mounting diameter	281 mm / 11.06 "	Re	4.4 Ohm
Mounting depth	150 mm / 5.91"	Res	55.0 Ohm
Magnet dimension	2 x 140 x 22 mm	FS	38.6 Hz
Total weight	6.4 KG	Qms	10.24
Voice coil diameter	50 mm / 2 " Round Wire	Qes	0.65
Voice coil winding height	30 mm / 1.18"	Qts	0.62
Voice coil wire material	Copper	Rms	3.5 kg/s
Voice coil former material	Kapton	Cms	0.09 mm/N
Top plate height	10 mm / 0.393"	Mms	148.5 gr
Linear excursion (one direction)	10 mm / 0.393"	BL	15.6 N/A
Effective Xmax	20 / 0.79 "	SPL	87.4 dB
Top Plate and T-Yoke color	Black	VAS	41.1 L / 1.45 cu.ft
Basket material	Aluminium Cast	Le	2.73 mH
Basket color	Black	Recommended freq. response	30 – 100 Hz
Spider	1x Polycot	Recommended amplifier power	400 – 800 WRMS @ 4 Ohm (1 Ohm)
Surround	VOXR U Shape foam	Sound Quality	⊙⊙⊙⊙ (max. ⊙⊙⊙⊙⊙⊙)
Cone	Reinforced paper	SPL Competition	⊙ (max. ⊙⊙⊙⊙⊙⊙)
Dustcap	Plastic Coated Paper	Low bass performance 20-50Hz	⊙⊙⊙ (max. ⊙⊙⊙⊙⊙⊙)
Magnetcover	Rubberboot	Mid bass performance 50-80Hz	⊙⊙⊙ (max. ⊙⊙⊙⊙⊙⊙)



A	315 mm / 12.40"
B	281 mm / 10.06"
C	150 mm / 5.91"
D	155 mm / 6.1"
E	17mm / 0.67"



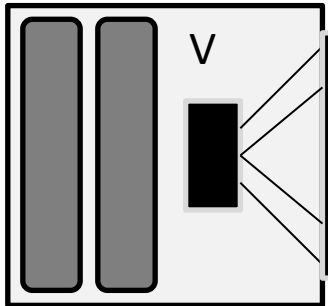
BOX RECOMMENDATION



Medium size vented box

V: 56 L / 1.98 cu.ft
 D: 1x 100 mm / 3.94"
 L: 260 mm / 10.24"

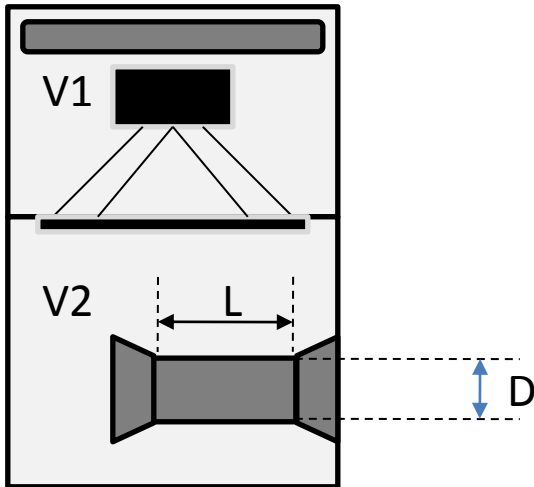
No damping



Medium size sealed box

V: 35 – 50L / 1.24 – 1.77 cu.ft
 Qtc: 0.84 – 0.91

40 - 60% Polyester wool



Medium size bandpassbox

V1: 27 L / 0.95 cu.ft
 V2: 33 L / 1.17 cu.ft
 D: 100 mm / 4"
 L: 140 mm / 5.5"
 Center Freq.: 59 Hz
 Bandwidth (-3dB): 35 – 101 Hz

20% polyester wool in V1
 No damping in V2

Die hier aufgeführten Gehäusevorschläge sind nur einige, der möglichen Varianten.
 Bitte beachten Sie zudem, dass die finale Abstimmung, speziell die Port Längen je nach Fahrzeug und eigenem Geschmack variiert werden sollte.
*Above-mentioned enclosure recommendations are just a few possible variations.
 Please note that you should find the perfect tuning, especially port length, based on your car and own taste.*



BOX RECOMMENDATION



Curve	Type	Volume	F3/ Qtc
Green	Vented	56 L / 1.98 cu.ft	30 Hz
Yellow	Sealed	35 L / 1.24 cu.ft	46 Hz / 0.91
Black	Sealed	50 L / 1.77 cu.ft	45 Hz / 0.84
Blue	Bandpass 4th order	V1: 27 L / 0.95 cu.ft V2: 33 L / 1.17 cu.ft	Centerfreq. 59 Hz

Die hier aufgeführten Gehäusevorschläge sind nur einige, der möglichen Varianten.
 Bitte beachten Sie zudem, dass die finale Abstimmung, speziell die Port Längen je nach Fahrzeug und eigenem Geschmack variiert werden sollte.
Above-mentioned enclosure recommendations are just a few possible variations.
Please note that you should find the perfect tuning, especially port length, based on your car and own taste.

