


GZRW 15D2

**GROUND ZERO**<sup>®</sup>  
GERMAN ENGINEERING



**GROUND ZERO** GmbH – Erlenweg 25 – 85658 Eggenheim – Germany

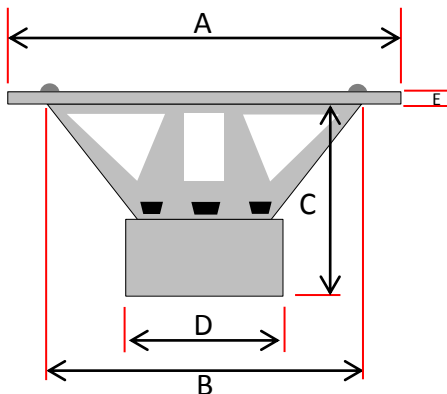
 GroundZeroAudioCom

[www.ground-zero-audio.com](http://www.ground-zero-audio.com)  
[info@ground-zero-audio.com](mailto:info@ground-zero-audio.com)

## TECHNICAL SPECIFICATIONS

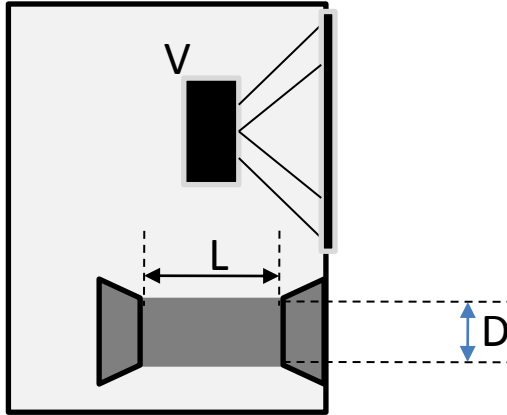
Product name	GZRW 15D2
Product type	Subwoofer chassis
H.Art .nr.	125083
Diameter	389 mm / 15.32" inkl. Gasket 393 mm / 15.47
Mounting diameter	353 mm / 13.90"
Mounting depth	184mm / 7.24"
Magnet dimension	2 x 180 x 20 mm
Total weight	9.8 KG
Voice coil diameter	75 mm / 3 " Round Wire
Voice coil winding height	35 mm / 1.38"
Voice coil wire material	Copper
Voice coil former material	Aluminum
Top plate height	10 mm / 0.3937"
Linear excursion (one direction)	12,5 mm / 0.49 "
Effective Xmax	45 mm / 1.77"
Top Plate and T-Yoke color	Black
Basket material	Steel
Basket color	Black structure
Spider	Polycot
Surround	U Shape foam
Cone	Reinforced paper
Dustcap	Convex IMPP with 3D Logo
Magnetcover	Rubberboot

Gasket	Rubber
Terminal	Chrome push terminal
Power handling	1000 W rms
Impedance	2 x 2 Ohm
Re	3.6 Ohm
Res	
FS	23,58 Hz
Qms	4.905
Qes	0.482
Qts	0.439
Rms	8.9 kg/s
Cms	0.161 mm/N
Mms	283,33 gr
BL	17,702N/A
SPL	88 dB
VAS	163,08 L / 5.76 cu.ft
Le	
Recommended freq. response	25– 100 Hz
Recommended amplifier power	800–1400 WRMS @ 4 Ohm (1 Ohm)
Sound Quality	☺☺ (max. ☺☺☺☺☺☺)
SPL Competition	☺☺☺ (max. ☺☺☺☺☺☺)
Low bass performance 20-50Hz	☺☺☺☺ (max. ☺☺☺☺☺☺)
Mid bass performance 50-80Hz	☺☺☺ (max. ☺☺☺☺☺☺)



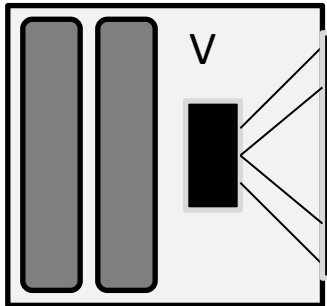
A	389 mm / 15.32 " incl. Gasket 393 mm / 15.47"
B	353 mm / 13.90"
C	184 mm / 7.24"
D	181 mm / 7.13" incl. Rubberboot 187mm / 7.36"
E	17 mm / 0.67"



**BOX RECOMMENDATION**

**Big size vented box**

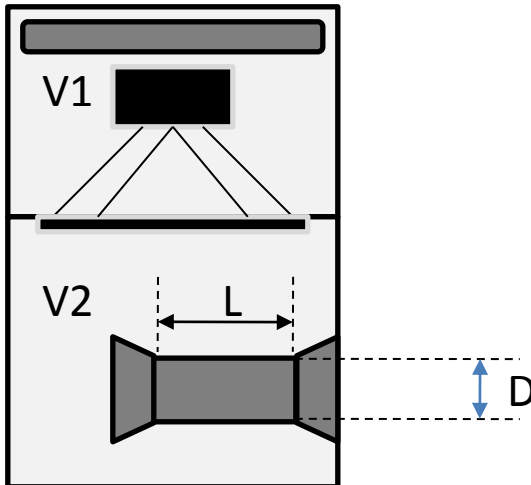
V: 100 L / 3.53 cu.ft  
 D: 2x 100 mm / 2x 6"  
 L: \*280 mm / 11.02"

No damping


**Medium size sealed box**

50 – 100 L / 1.77 – 3.53 cu.ft  
 Qtc. 0.71- 0.91

40 - 60% polyester wool


**Medium size bandpassbox**

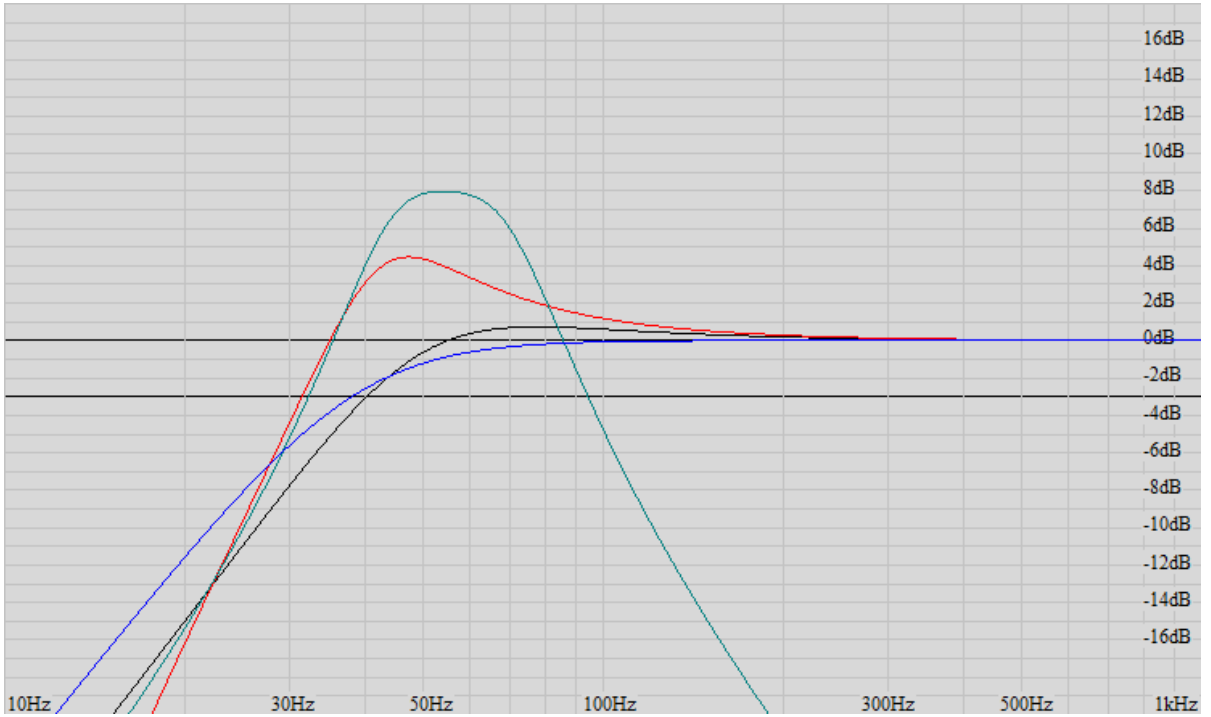
V1: 36 L / 1.27 cu.ft  
 V2: 75 L / 2.65 cu.ft  
 D: 160 mm / 6"  
 L: \*140 mm / 5.51"

20% polyester wool in V1  
 No damping in V2

Die hier aufgeführten Gehäusevorschläge sind nur einige, der möglichen Varianten.  
 Bitte beachten Sie zudem, dass die finale Abstimmung, speziell die Port Längen je nach Fahrzeug und eigenem Geschmack variiert werden sollte.  
 Above-mentioned enclosure recommendations are just a few possible variations.  
 Please note that you should find the perfect tuning, especially port length, based on your car and own taste.



## BOX RECOMMENDATION



Curve	Type	Volume	F3/ Qtc
Red	Vented	100 L / 3.53 cu.ft	31 Hz
Black	Sealed	50 L / 1.77 cu.ft	40 Hz / 0.91
Blue	Sealed	100 L / 3.53 cu.ft	38 Hz / 0.71
Green	Bandpass 4th order	V1: 36 L / 1.27 cu.ft V2: 75 L / 2.65 cu.ft	Centerfreq. 55 Hz

Die hier aufgeführten Gehäusevorschläge sind nur einige, der möglichen Varianten.

Bitte beachten Sie zudem, dass die finale Abstimmung, speziell die Port Längen je nach Fahrzeug und eigenem Geschmack variiert werden sollte.

*Above-mentioned enclosure recommendations are just a few possible variations.*

*Please note that you should find the perfect tuning, especially port length, based on your car and own taste.*

