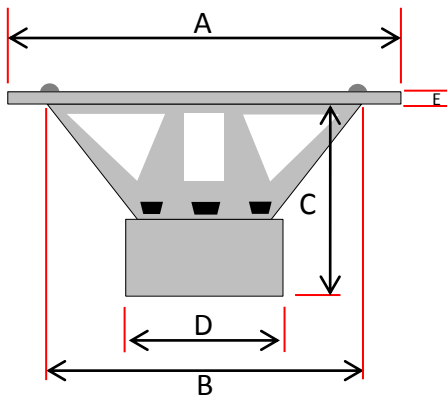




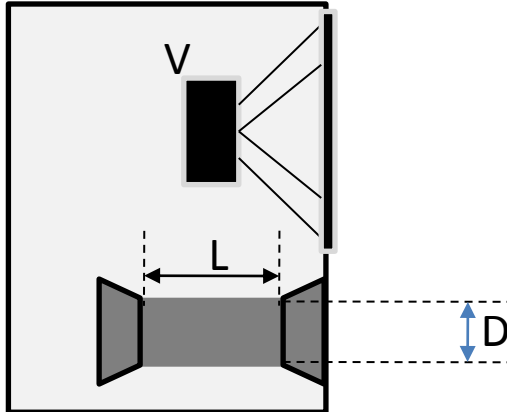
TECHNICAL SPECIFICATIONS

Product name	GZRW 30XSPL-D2	Gasket	Foam
Product type	Subwoofer chassis	Terminal	Chrome Push Terminal
H.Art .nr.	125069	Power handling	1500 W SPL Power
Diameter	322mm / 12.68"	Impedance	2 x 2 Ohm
Mounting diameter	283 mm / 11.14"	Re	3.66 Ohm
Mounting depth	158 mm / 6.22"	Res	28.24 Ohm
Magnet dimension	2 x 170 x 20 mm	FS	36.1 Hz
Total weight	8,7 KG	Qms	5.142
Voice coil diameter	75 mm / 3 " Round Wire	Qes	0.667
Voice coil winding height	35 mm / 1.38"	Qts	0.591
Voice coil wire material	Copper	Rms	13.156 kg/s
Voice coil former material	Aluminum	Cms	0.065 mm/N
Top plate height	10 mm / 0.3937"	Mms	298.2
Linear excursion (one direction)	12,5 mm / 0.49 "	BL	19.275
Effective Xmax	25 mm / 1"	SPL	86 dB
Top Plate and T-Yoke color	Black	VAS	22.94L / 0.81 cu.ft
Basket material	Steel	Le	3.214 mH
Basket color	Yellow	Recommended freq. response	35 – 100 Hz
Spider	2-layer Polycot	Recommended amplifier power	800 – 1500 WRMS @ 4 Ohm (1 Ohm)
Surround	High Roll Sandwich	Sound Quality	☺☺ (max. ☺☺☺☺☺☺)
Cone	Reinforced paper	SPL Competition	☺☺☺☺ (max. ☺☺☺☺☺☺)
Dustcap	Convex IMPP with 3D Logo	Low bass performance 20-50Hz	☺☺☺ (max. ☺☺☺☺☺☺)
Magnetcover	Rubberboot	Mid bass performance 50-80Hz	☺☺☺ (max. ☺☺☺☺☺☺)



A	322 mm / 12,68"
B	283 mm / 11.14"
C	158 mm / 6.22"
D	175 mm / 7"
E	16 mm / 0.63"



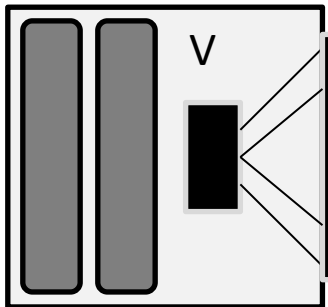
BOX RECOMMENDATION

Small size vented box
Rot/Red

V: 60L / 2.11 cu.ft

D: 1x 160 mm / 6"

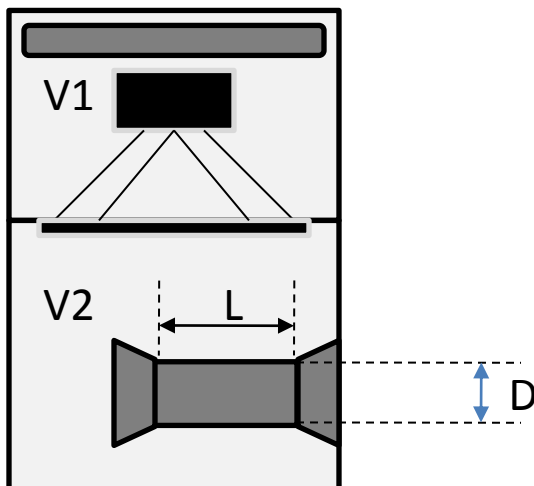
L: 1x 300 mm / 12"

No damping


Small size sealed box
Blau/Blue

V: 15 – 40L / 0.53 – 1.41 cu.ft

40 - 60% Polyester wool


Medium size bandpassbox
Grün/Green

V1: 20 L / 0.706 cu.ft

V2: 40 L / 1.41 cu.ft

D: 2x 100 mm / 4"

L: 2x 270 mm / 10.63"

Center Freq.: 58Hz

Bandwidth (-3dB): 35 – 92 Hz

20% polyester wool in V1

No damping in V2

Die hier aufgeführten Gehäusevorschläge sind nur einige, der möglichen Varianten.

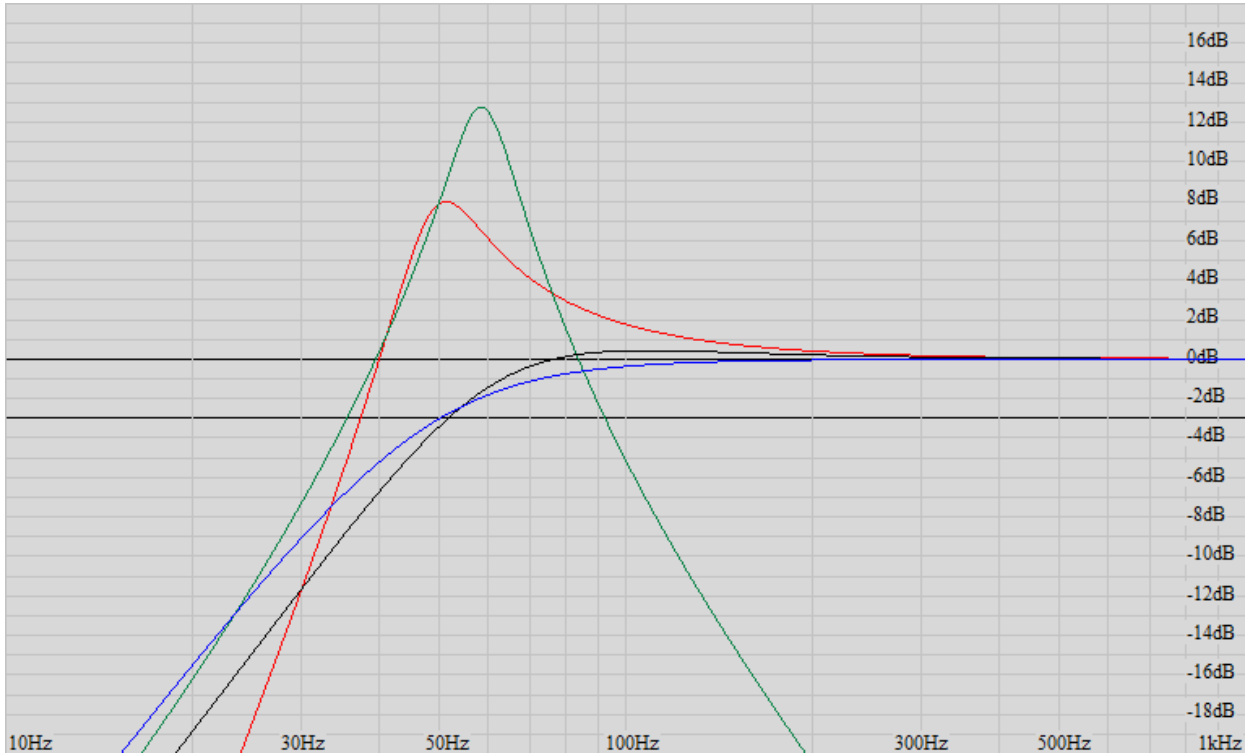
Bitte beachten Sie zudem, dass die finale Abstimmung, speziell die Port Längen je nach Fahrzeug und eigenem Geschmack variiert werden sollte.

Above-mentioned enclosure recommendations are just a few possible variations.

Please note that you should find the perfect tuning, especially port length, based on your car and own taste.



BOX RECOMMENDATION



Die hier aufgeführten Gehäusevorschläge sind nur einige, der möglichen Varianten.

Bitte beachten Sie zudem, dass die finale Abstimmung, speziell die Port Längen je nach Fahrzeug und eigenem Geschmack variiert werden sollte.

Above-mentioned enclosure recommendations are just a few possible variations.

Please note that you should find the perfect tuning, especially port length, based on your car and own taste.

