

# ZPC120051

## Characteristics

Capacity 25°C (77°F)	20 hour rate	65AH
Polarity		SX
High rate discharge at 77° F (25°C)	5 sec.	1500A
	10 sec.	1280A
	15 sec.	1170A
	20 sec.	1100A
PHCA at 80°F (27°C) for 5 seconds		1500A
CCA at 0°F (-18°C)		825A
CA/MCA at 32°F (0°C)		1000A
HCA at 80°F (27°C)		1200A
Short circuit current		2200A
Operating temperature range	-5°F (-15°C) to 122°F (50°C)	
Standard Terminal		M8+AP

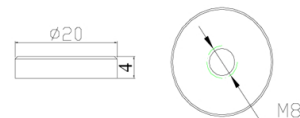
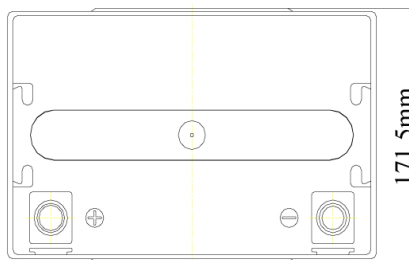
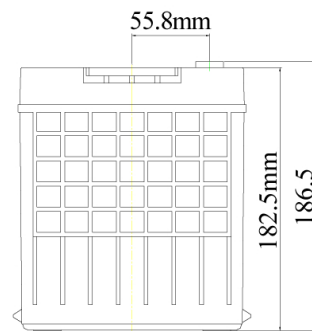
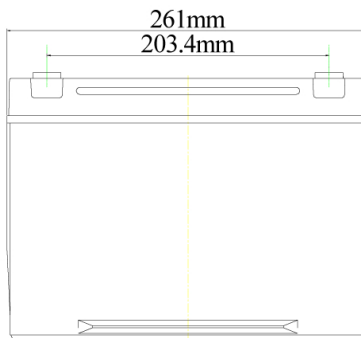
## Extended discharge at 77°F (25°C) to 10.02V

F.V./Time	5M	15M	1HR	3HR	10HR	20HR
10.02V	305A	145A	47A	18A	6.2A	3.4A

## Specifications

Nominal Voltage		12V
Rated Capacity (20 hour rate)		65Ah
Dimension	Total Height	186.5mm (7.34 inches)
	Height	182.5mm (7.19 inches)
	Length	261mm (10.28 inches)
	Width	171.5mm (6.75 inches)
Weight		Approx. 20.9kg (45.98lbs)
Quantity per pallet		42 pcs

## Physical characteristics



Terminal: M8+AP

This information is generally descriptive only and is not intended to make or imply any representation, guarantee or warranty with respect to any cells and batteries. Cell and battery designs/specification are subject to modification without notice. Contact U.B.S. UNION BATTERY SERVICE for the latest information.

DIVISION OF



[www.unionbatteryservice.com](http://www.unionbatteryservice.com)  
[www.zenithdcbattery.com](http://www.zenithdcbattery.com)