

## ZPC120020

### Characteristics

Capacity 25°C (77°F)	20 hour rate	20AH
Polarity		DX
High rate discharge at 77° F (25°C)	5 sec.	680A
	10 sec.	595A
	20 sec.	515A
	30 sec.	400A
PHCA at 80°F (27°C) for 5 seconds		680A
CCA at 0°F (-18°C)		230A
CA/MCA at 32°F (0°C)		310A
HCA at 80°F (27°C)		410A
Short circuit current		800A
Operating temperature range	-5°F (-15°C) to 122°F (50°C)	
Standard Terminal		M6

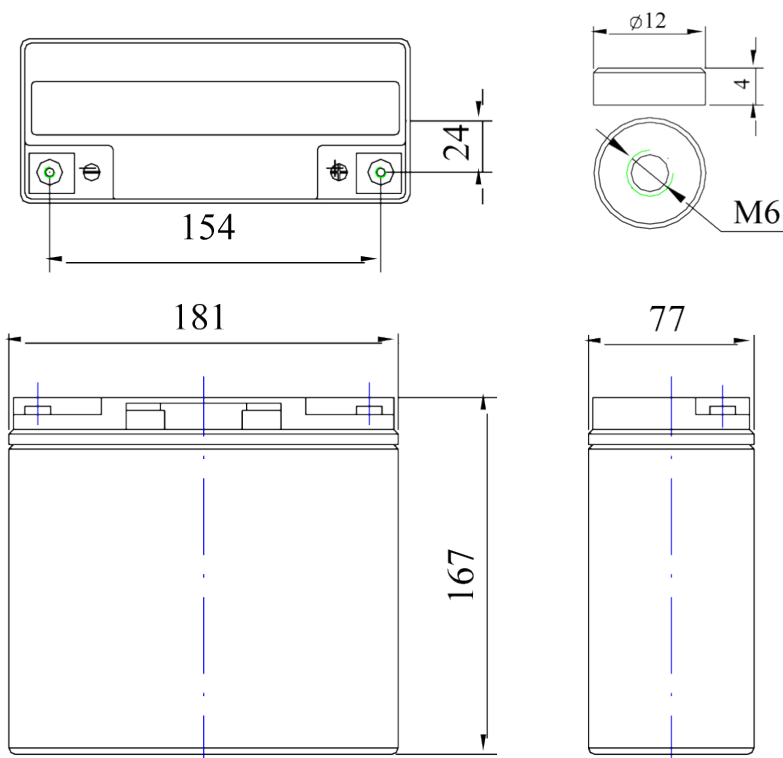
### Extended discharge at 77°F (25°C) to 10.02V

F.V./Time	5M	15M	1HR	3HR	10HR	20HR
10.02V	82A	38A	13.2A	5.1A	1.9A	1A

### Specifications

Nominal Voltage		12V
Rated Capacity (20 hour rate)		20Ah
Dimension	Height	167mm (6.57 inches)
	Length	181mm (7.13 inches)
	Width	77mm (3.03 inches)
Weight		Approx. 7.0kg (15.4lbs)
Quantity per pallet		144 pcs

### Physical characteristics



This information is generally descriptive only and is not intended to make or imply any representation, guarantee or warranty with respect to any cells and batteries. Cell and battery designs/specification are subject to modification without notice. Contact U.B.S. UNION BATTERY SERVICE for the latest information.

DIVISION OF



[www.unionbatteryservice.com](http://www.unionbatteryservice.com)  
[www.zenithdcbattery.com](http://www.zenithdcbattery.com)