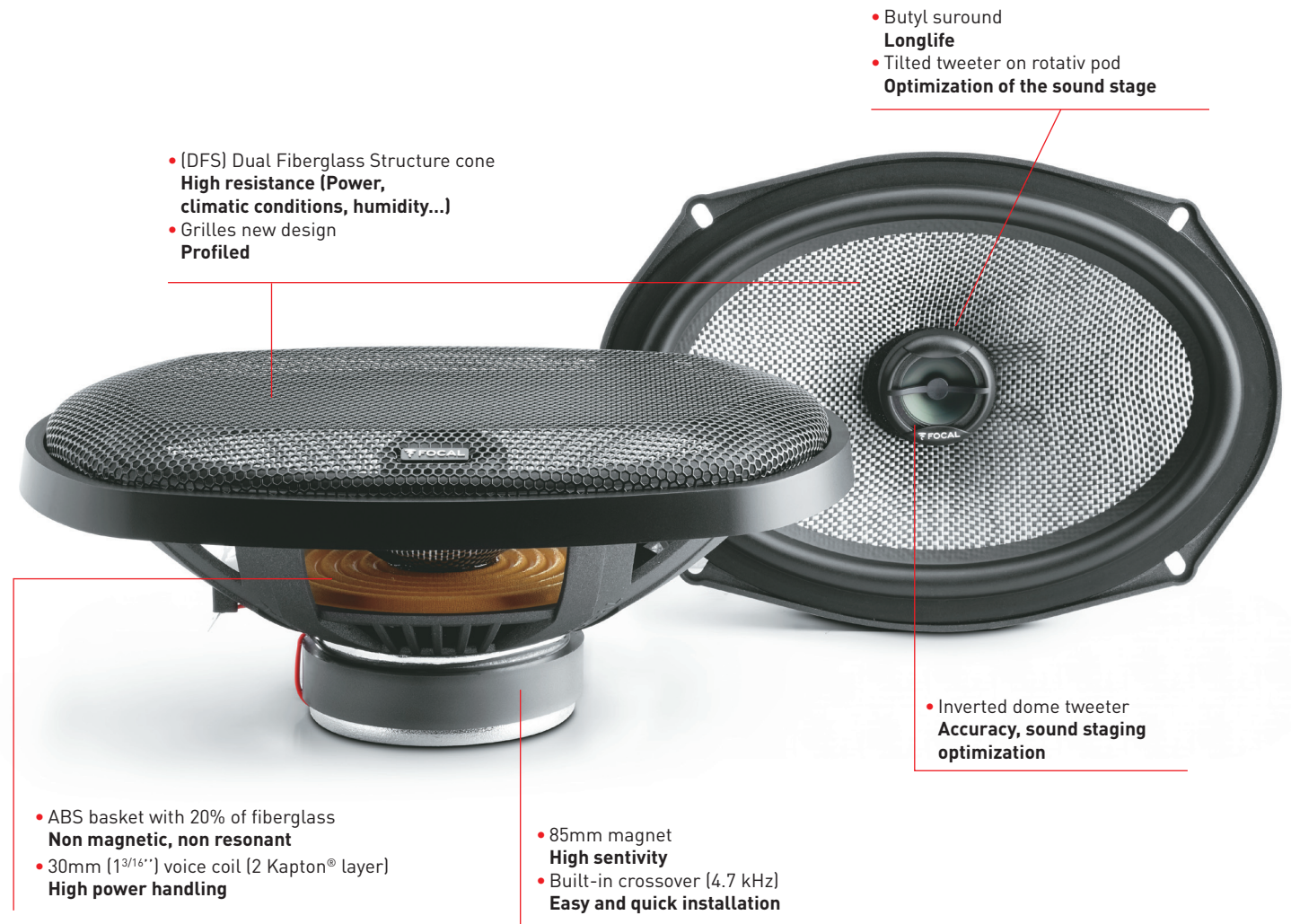


ACCESS 690 AC

2-way coaxial kit



WHAT MAKES THE DIFFERENCE

- Cone DFS® (Dual fiberglass Structure), (climatic and power) high resistance
- High power handling and heavy bass
- Rotativ tweeter

TECHNICAL CHARACTERISTICS

Woofer: 6x9" (164x235mm)

Voice-coil diameter: 1^{3/16}" (30mm)

Voice-coil height: 0^{7/16}" (11mm)

Magnet: 3^{9/16}" (90mm)

Tweeter: Aluminum inverted dome

Crossover: (4,7Khz) 6dB/oct

Max. power: 150 Watts

Nom. power: 75 Watts RMS

Sensitivity (2.83V/1m): 91.3dB

Frequency response: 50Hz – 20kHz

Accessories: Supplied grilles

 **Performance**
CREATE YOUR SOUND

 **FOCAL**
THE SPIRIT OF SOUND

ACCESS 690 AC

Woofer (6x9")

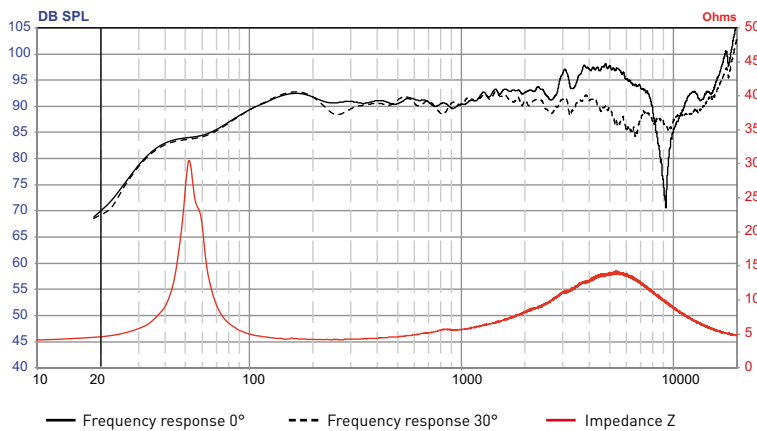


- Cone DFS®
- ABS basket
- TN43 inverted dome tweeter

SPECIFICATIONS

Nominal power	75W	
Maximum power	150W	
Sensitivity (2,83V/1m)	91.3dB	
Cone	Glass fiber	
Surround	Butyl	
Nom. impedance	4 Ohms	
DC resistance	3.8 Ohms	
VC diameter	30mm	1 ^{3/16} "
VC height	10mm	0 ^{3/8} "
Former	Kapton	
Layers	2	
Wire	Copper	
Inductance	-	
Xmax	± 2.5mm	0 ^{1/8} "
Magnet d x h	90mm x 17mm	3 ^{9/16} X 0 ^{2/3} "
Magnet weight	400g	0.8 lbs
Flux density	1T	
Gap height	6mm	0 ^{1/4} "
Net weight	1.05kg	2.10 lbs

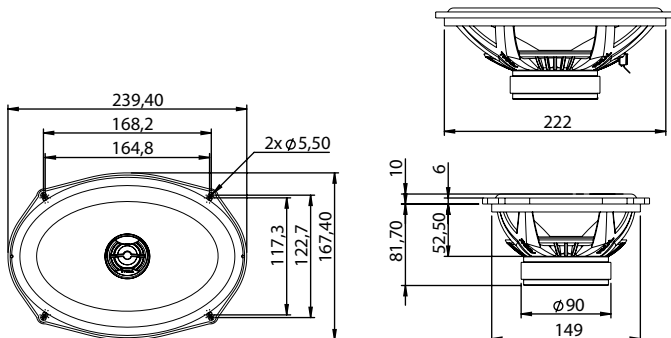
FREQUENCY RESPONSE/IMPEDANCE



PARAMETERS

Fs	55.06Hz
Vas	22.46 liters
Qts	0.881
Qes	0.89
Qms	9.08
Re	3.82 Ohms
Sd	221.67cm ²
Cas	1,6E-07 m5/N
Mas	52,24 Kg/m4
Ras	1990,39 Ohms.ac
Cms	325µm/N
Mms	25.67g
Rms	0.978kg/s
Ces	673.46mF
Les	12.41mH
Res	38.97 Ohms
BI	6.17N/A
SPL	88.09 dB/W/m

MECHANICAL DRAWING



Performance
CREATE YOUR SOUND

FOCAL
THE SPIRIT OF SOUND