

3 KRX3 (165 KRX3 MIDRANGE KIT)

3" K2 Power midrange

- Small size
- Neodymium magnet
- Aluminum basket



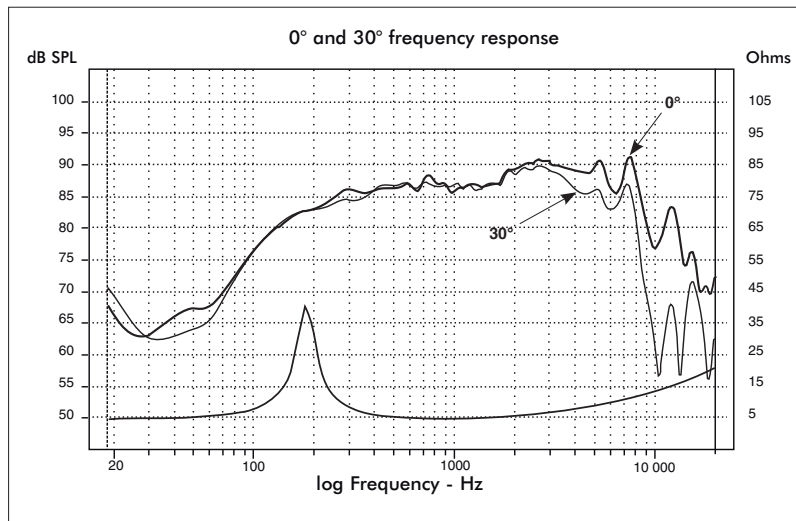
Specifications

Nominal power	50W	
Maximum power	100W	
Sensitivity	90dB	
Cone	CKMV	
Surround	Tissu	
Nom. impedance	4 ohms	
DC resistance	4,57 ohms	
VC diameter	25mm	1"
VC height	7mm	1/4"
Former	Kapton	
Layers	2	
Wire	Copper	
Inductance	0,16mH	
Xmax	1,50mm	1/16"
Magnet d x h	Neodymium	
Magnet weight	136g	0,30lb
Flux density	1,30T	
Gap height	4mm	3/16"
Net weight	196g	0,43lb

Parameters

Fs	197,31 Hz	
Vas	0,34 liters	0,012Ft ³
Qts	0,66	
Qes	0,72	
Qms	7,28	
Re	4,57 ohms	
Sd	32,17 cm ²	
Cas	2,42E-09 m ⁵ /N	
Mas	268,62 Kg/m ⁴	
Ras	45744,90 ohms.ac	
Cms	2,34E-04 m/N	
Mms	2,78 g	0,06lb
Rms	0,47 Kg/s	
Ces	127,08 mF	
Les	5,12 mH	
Res	46,21 ohms	
Bl	4,68 N/A	
SPL	87,44 dB/W/M	

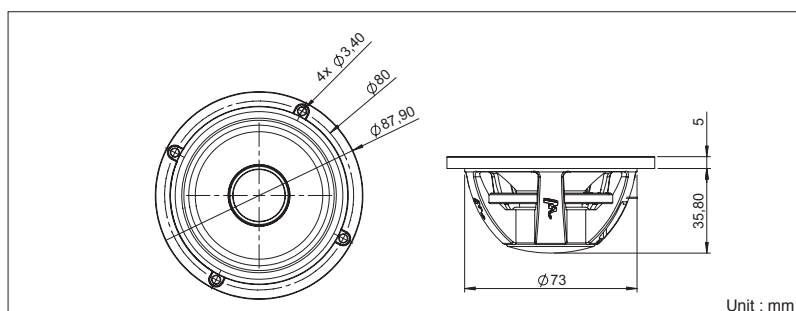
Frequency Response / Impedance



Suggested application

Load	V (l)	Fb (Hz)	F-3dB (Hz)	Ql
Sealed	0,3	-	231	7

Mechanical Drawing



©Focal-JMlab - DB0804 18/1

Focal® is a trademark of Focal-JMlab® - BP 374 - 108, rue de l'Avenir - 42353 La Taubaudière cedex France - Tél. (33) 04 77 43 57 00 - Fax (33) 04 77 37 65 87 - www.focal-fr.com - SCBD080620/1

