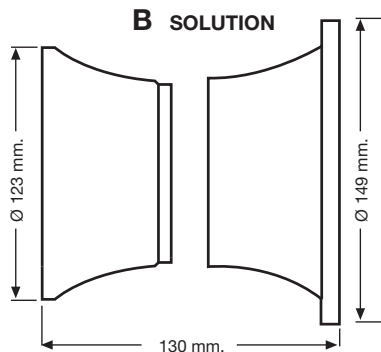
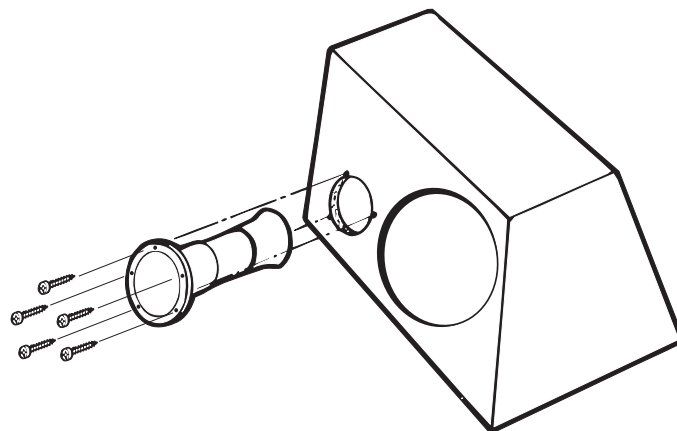
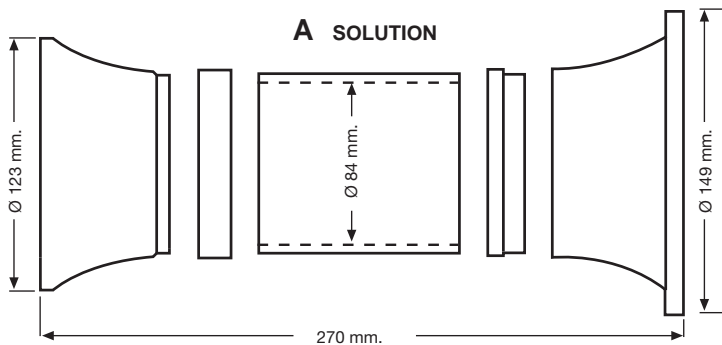
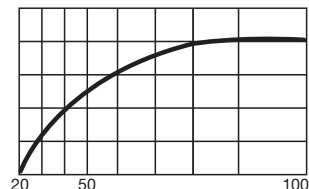


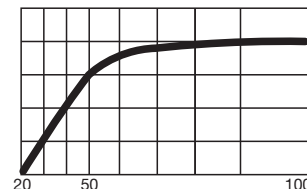
CONDOTTO REFLEX ANTITURBOLENZA • ANTI-TURBULANCE REFLEX TUBE • TUBE REFLEX ANTI-TURBULENCE
 ANTI-TURBULENZ REFLEX-ROHR • CONDUCTO REFLEX ANTITURBOLENCIA



B SOLUTION



A SOLUTION





**CONDOTTO REFLEX ANTIURBOLENZA
ANTI-TURBULANCE REFLEX TUBE
TUBE REFLEX ANTI-TURBULENCE
ANTI-TURBULENZ REFLEX-ROHR
CONDUCTO REFLEX ANTIURBOLENCIA**

4/950