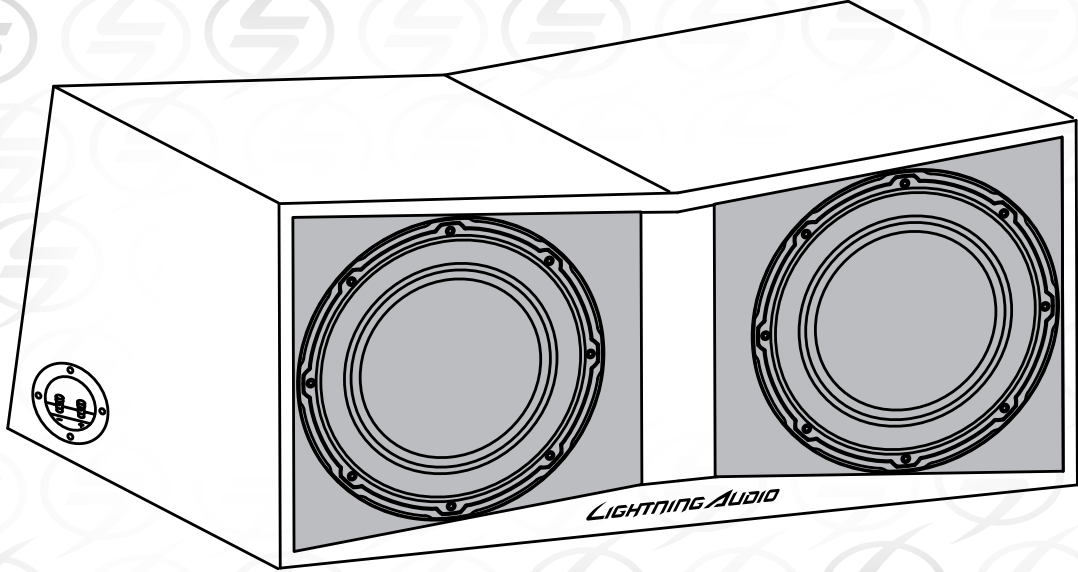




# LIGHTNING AUDIO<sup>®</sup>

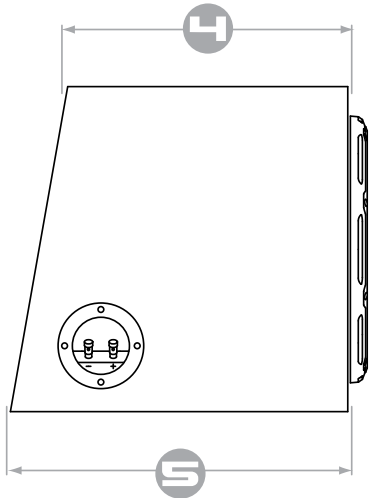
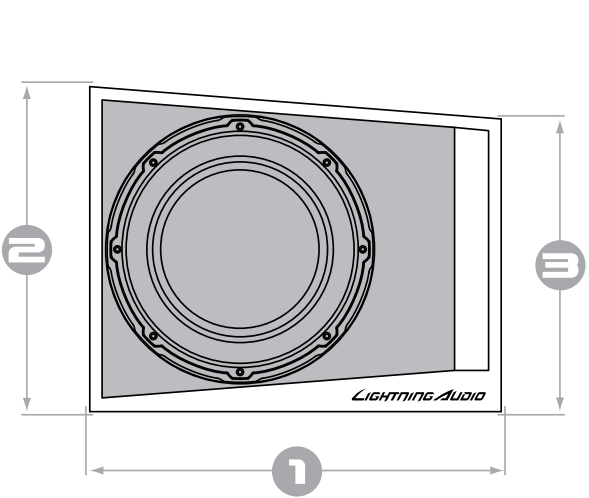


## **ENCLOSURES**

- LA-1X12V
- LA-2X12V

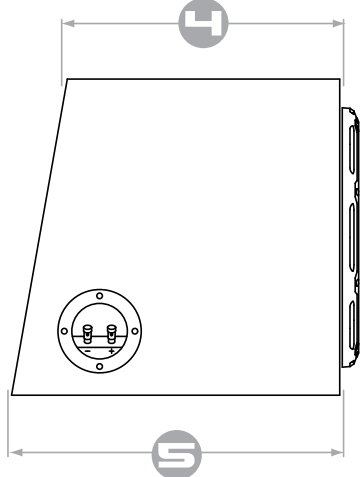
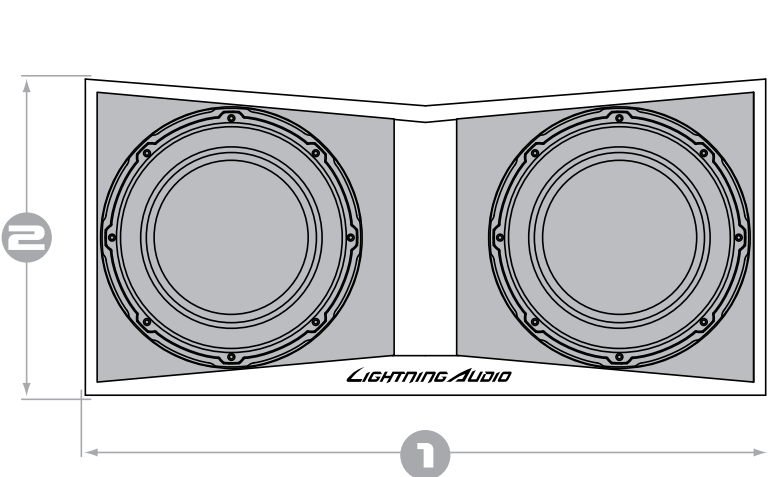


LA-1X12V



---

LA-2X12V



MODEL	LA-1X12V	LA-2X12V
WOOFER SIZE	12"	12" (2)
WIRED IMPEDANCE	4 $\Omega$	2 $\Omega$
POWER HANDLING (MAX)	400 watts	800 watts
POWER HANDLING (RMS)	150 watts	300 watts
<b>1</b> WIDTH	19.8"	33.6"
<b>2</b> HEIGHT (A)	15.6"	15.6"
<b>3</b> HEIGHT (B)	14"	N/A
<b>4</b> DEPTH (A)	13.5"	13.5"
<b>5</b> DEPTH (B)	16"	16"
ENCLOSURE VOLUME	1.6 ft <sup>3</sup>	3.2 ft <sup>3</sup>
TUNING FREQUENCY	35 Hz	35 Hz

## INSTALLATION

### Preliminary Considerations:

- If you feel unsure about installing this system yourself, have it installed by a qualified technician.
- Think before you drill! Be careful not to cut or drill into gas tanks, fuel lines, brake or hydraulic lines, vacuum lines or electrical wiring when working on any vehicle.

**CAUTION:** Before installation, disconnect the battery negative (-) terminal to prevent damage to the unit, fire and/or possible injury.

1. Run the speaker cable from the amp, avoiding running it close to any sources of high current (wiring harnesses).
2. The positive (+) speaker output from the amp connects to the red terminal of the enclosure, and the negative (-) connects to the black terminal.

**NOTE:** The woofer(s) is/are pre-wired internally to the impedance listed in the specification chart. Additional impedances can be obtained by re-wiring.

## DEUTSCH

MODELL	LA-1X12V	LA-2X12V
TIEFTÖNERGRÖSSE	305 mm	305 mm (2)
GESCHALTETE IMPEDANZ	4 $\Omega$	2 $\Omega$
NENNBELASTBARKEIT (MAX)	400 watt	800 watt
NENNBELASTBARKEIT (EFFEKTIVSPANNUNG)	150 watt	300 watt
<b>1</b> BREITE	503 mm	853 mm
<b>2</b> HÖHE (A)	395 mm	395 mm
<b>3</b> HÖHE (B)	356 mm	N/A
<b>4</b> TIEFE (A)	343 mm	343 mm
<b>5</b> TIEFE (B)	407 mm	407 mm
GEHÄUSEVOLUMEN	45 L	91 L
ABSTIMMUNGSFREQENZ	35 Hz	35 Hz

### EINBAU

Vorberlegungen:

- Wenn Sie beim Einbau des Gerts unsicher sind, lassen Sie es von einem qualifizierten Techniker einbauen.
- Denken Sie nach, bevor Sie bohren! Achten Sie darauf, nicht in den Benzintank, die Benzin-, Brems- oder hydraulischen Leitungen, Vakuumleitungen oder Elektrokabel zu schneiden oder zu bohren, wenn Sie am Fahrzeug arbeiten.

VORSICHT: Entfernen Sie vor dem Einbau den negativen (-) Batteriepol, um Schäden am Gert, Feuer bzw. mögliche Verletzungen zu vermeiden.

1. Beim Verlegen des Lautsprecherdrahts vermeiden, diesen in der Nähe jeglicher Hochstromquellen zu verlegen (Kabelbäume).

2. Der positive (+) Lautsprecheranschluss vom Verstärker wird am roten Anschluss des Gehäuses angebracht und der negative (-) Ausgang am schwarzen Anschluss.

HINWEIS: Der bzw. die Tieftöner sind werkseitig intern auf die in den Technischen Daten angegebene Impedanz geschaltet. Weitere Impedanzen können durch eine Neuverdrahtung erlangt werden.

### INFORMATIONEN ZUR BESCHRÄNKTEN GARANTIE

Produkte, die von Konsumenten bei einem Vertragshändler von Lightning Audio außerhalb der USA gekauft wurden, sind unter der Garantie des Vertragshändlers von Lightning Audio für das Land, in dem die Produkte gekauft wurden, gedeckt.

## FRANÇAIS

MODÈLE	LA-1X12V	LA-2X12V
TAILLE DU HAUT-PARLEUR DE GRAVES	305 mm	305 mm (2)
IMPÉDANCE AVEC CÂBLAGE	4 Ω	2 Ω
PUISSANCE EFFICACE (MAX.)	400 watts	800 watts
PUISSANCE EFFICACE (ADMISSIBLE)	150 watts	300 watts
<b>1</b> LARGEUR	503 mm	853 mm
<b>2</b> HAUTEUR (A)	395 mm	395 mm
<b>3</b> HAUTEUR (B)	356 mm	N/A
<b>4</b> PROFONDEUR (A)	343 mm	343 mm
<b>5</b> PROFONDEUR (B)	407 mm	407 mm
VOLUME DE L'ENCEINTE	45 L	91 L
FRÉQUENCE D'ACCORD	35 Hz	35 Hz

### INSTALLATION

#### Précautions préliminaires

- Si vous n'êtes pas sûr(e) d'arriver à installer le système par vous-même, confiez la tâche à un technicien qualifié.
- Réfléchissez bien avant de percer. Veillez à ne pas couper ou percer le réservoir d'essence, le câblage électrique ou les conduites de carburant, de freinage hydraulique ou de pression en travaillant sur un véhicule.

**ATTENTION :** Avant l'installation, débranchez la borne négative (-) de la batterie pour éviter d'endommager l'appareil et prévenir les risques d'incendie et de dommages corporels.

1. Acheminez le fil d'enceinte depuis l'amplificateur en veillant à ne pas le faire passer à proximité de sources de courant levé (comme des faisceaux de fils).
2. La sortie d'enceinte positive (+) de l'amplificateur se connecte à la borne rouge de l'enceinte et la sortie négative (-) à la borne noire.

**REMARQUE :** Le câblage interne initial du ou des haut-parleurs de graves fixe leur impédance à la valeur indiquée dans le tableau des caractéristiques. D'autres impédances peuvent être obtenues par recâblage.

### INFORMATIONS SUR LA GARANTIE LIMITÉE

Les articles vendus au public par un distributeur Lightning Audio agréé situés hors des États-Unis sont couverts par celui-ci dans le pays d'achat.

## ESPAÑOL

MODELO	LA-1X12V	LA-2X12V
TAMAÑO DEL WOOFER	305 mm	305 mm (2)
IMPEDANCIA CABLEADA	4 $\Omega$	2 $\Omega$
MANEJO DE LA POTENCIA (MÁX.)	400 vatios	800 vatios
MANEJO DE LA POTENCIA (RMS)	150 vatios	300 vatios
<b>1</b> ANCHO	503 mm	853 mm
<b>2</b> ALTURA (A)	395 mm	395 mm
<b>3</b> ALTURA (B)	356 mm	N/A
<b>4</b> PROFUNDIDAD (A)	343 mm	343 mm
<b>5</b> PROFUNDIDAD (B)	407 mm	407 mm
VOLUMEN DE LA CAJA	45 L	91 L
FRECUENCIA DE SINTONÍA	35 Hz	35 Hz

### INSTALACIÓN

Consideraciones preliminares:

- Si no está seguro si debe hacer la instalación de este sistema usted mismo, haga que lo instale un técnico calificado.
- Piense siempre antes de perforar! Tenga cuidado de no cortar ni perforar tanques de combustible, tuberías de combustible, frenos o hidráulicas, tuberías de vacío o cableado eléctrico al trabajar en un vehículo.

**PRECAUCIÓN:** Antes de efectuar la instalación, desconecte el terminal negativo (-) de la batería para evitar daños a la unidad, incendio y/o posiblemente lesiones.

1. Tire el cable del altavoz desde el amplificador, evitando tenderlo cerca de cualquier fuente de alta corriente (arneses de cableado).

2. La salida positiva (+) del altavoz del amplificador se conecta al terminal rojo de la caja, y el terminal negativo (-) se conecta al terminal negro.

**NOTA:** Los woofers ya están precableados internamente de acuerdo a la impedancia indicada en la tabla de especificaciones. Se puede obtener impedancias adicionales cambiando el cableado.

### INFORMACIÓN DE LA GARANTÍA LIMITADA

Los productos comprados por consumidores de un distribuidor autorizado de Lightning Audio situado fuera de los EE.UU. están cubiertos por el distribuidor autorizado de Lightning Audio para el país en que se ha comprado los productos.

## ITALIANO

MODELLO	LA-1 X1 2V	LA-2X1 2V
DIMENSIONI DEL WOOFER	305 mm	305 mm (2)
IMPEDENZA CABLATA	4 $\Omega$	2 $\Omega$
CAPACITÀ DI POTENZA (MASSIMA)	400 watt	800 watt
CAPACITÀ DI POTENZA (RMS)	150 watt	300 watt
<b>1</b> LARGHEZZA	503 mm	853 mm
<b>2</b> ALTEZZA (A)	395 mm	395 mm
<b>3</b> ALTEZZA (B)	356 mm	N/A
<b>4</b> PROFONDITÀ (A)	343 mm	343 mm
<b>5</b> PROFONDITÀ (B)	407 mm	407 mm
VOLUME DELL'ARMADIETTO	45 L	91 L
FREQUENZA DI SINTONIA	35 Hz	35 Hz

### INSTALLAZIONE

Considerazioni preliminari:

- Se si teme di non riuscire a installare il sistema da se stessi, incaricare dell'installazione un tecnico qualificato.
- Pensarci prima di fare fori col trapano! Quando si lavora su un veicolo, fare sempre attenzione a non intaccare o praticare fori nel serbatoio e nelle tubature della benzina, nelle tubature idrauliche o in quelle dei freni, nelle tubature sottovuoto e nelle linee dell'impianto elettrico.

ATTENZIONE: prima dell'installazione, scollegare il terminale negativo (-) della batteria per evitare danni all'unit, incendio e/o il rischio di lesioni.

1. Disporre il cavo del diffusore proveniente dall'amplificatore facendo attenzione a non farlo passare in prossimità di fonti di alta corrente (cablaggi d'impianto).
2. L'uscita positive (+) del diffusore dall'amplificatore si collega al terminale rosso dell'armadietto e quella negativa (-) si collega al terminale nero.

NOTA: Il woofer (o i woofer) (sono) gi cablati all'interno secondo l'impedenza indicata nella tabella dei dati tecnici. Cablando in maniera diversa si potranno ottenere impedenze diverse.

### INFORMAZIONI SULLA GARANZIA LIMITATA

I prodotti acquistati dai consumatori da rivenditori autorizzati Lightning Audio situati fuori degli USA sono coperti dalla garanzia offerta dal distributore autorizzato Lightning Audio per il Paese nel quale il prodotto è stato acquistato.

## **LIMITED WARRANTY INFORMATION**

LIGHTNING AUDIO OFFERS A LIMITED WARRANTY ON PRODUCTS SUBJECT TO THE FOLLOWING TERMS:

### **• LENGTH OF WARRANTY:**

Speakers - One year replacement warranty from date of original purchase - requires proof of purchase.

Amplifiers - One year replacement warranty from date of original purchase - requires proof of purchase.

### **• WHAT IS COVERED:**

This warranty applies only to Lightning Audio products sold to consumers by an authorized Lightning Audio Dealer in the United States of America. Products purchased by consumers from an authorized Lightning Audio Dealer located outside of the USA are covered by the authorized Lightning Audio Distributor for the country in which the products were purchased.

### **• WHO IS COVERED:**

This warranty covers only the original purchaser of Lightning Audio product purchased from an authorized Lightning Audio Dealer in the United States. In order to receive service, the purchaser must provide Lightning Audio with a dated copy of the sales receipt stating the customer name, dealer name and product(s) purchased. Products found to be defective during the warranty period will be replaced (with a product deemed to be equivalent at Lightning Audio's sole discretion) by Lightning Audio.

### **• WHAT IS NOT COVERED:**

1. Damage caused by accident, misuse, abuse, improper installation or operation, water or moisture, excessive heat, theft, or shipping
2. Any cost or expense related to the removal or reinstallation of product
3. Items previously repaired, serviced or modied by an unauthorized service center
4. Any product which has had the serial number defaced, altered, or removed
5. Subsequent damage to other components
6. Any product purchased outside the U.S.
7. Any product not purchased from an authorized Lightning Audio Dealer

### **• LIMIT ON IMPLIED WARRANTIES**

Any implied warranties of fitness for use and merchantability are limited in duration to the period of the express warranty set forth above. Some states do not allow limitations on the length of an implied warranty, so this limitation may not apply. No person is authorized to assume for Lightning Audio any other liability in connection with the sale of the product.

### **• HOW TO OBTAIN SERVICE**

Defective products should be returned to your local authorized Lightning Audio Dealer for warranty service or, you may call 1-888-881-8186 for Lightning Audio customer service. You must obtain an RA# (Return Authorization number) prior to returning any product to Lightning Audio. Return Authorizations are valid for 30 days. You are responsible for the shipment of defective product to Lightning Audio and you **MUST** include valid proof of purchase. Mark your RA# clearly on outside of your shipping carton. Products received without a valid RA# will be refused and returned to sender at sender's expense.