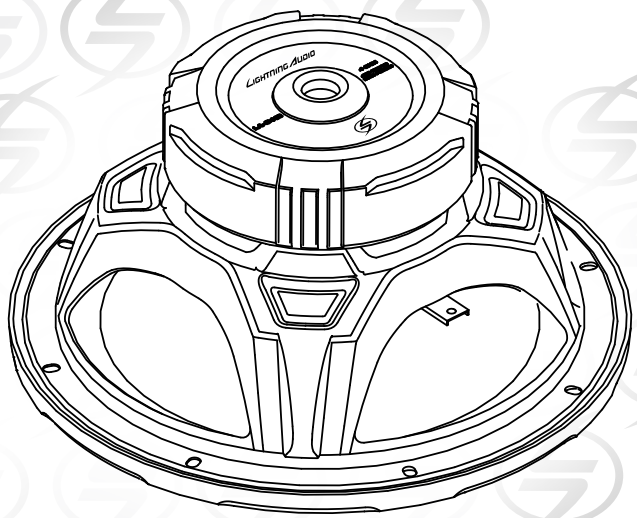
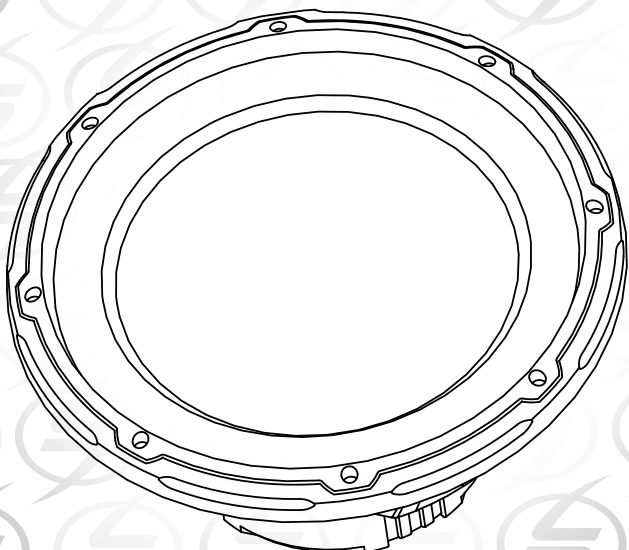




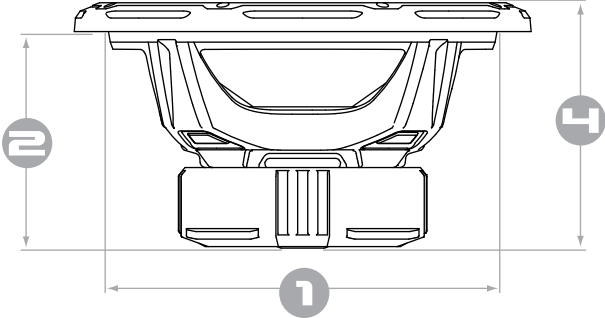
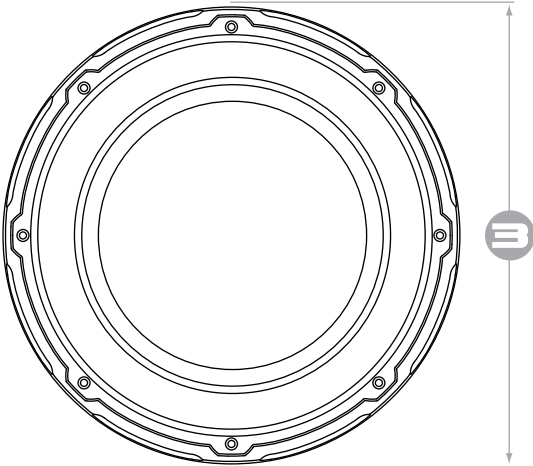
LIGHTNING AUDIO®



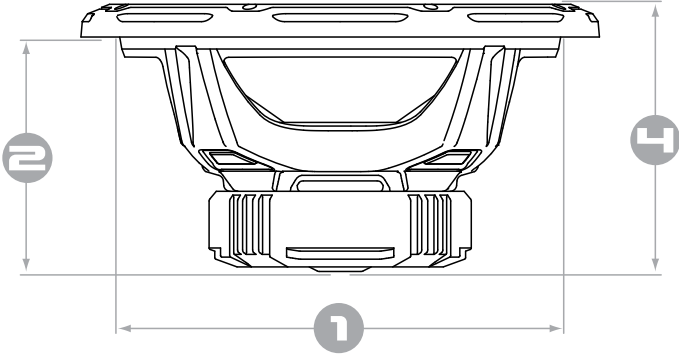
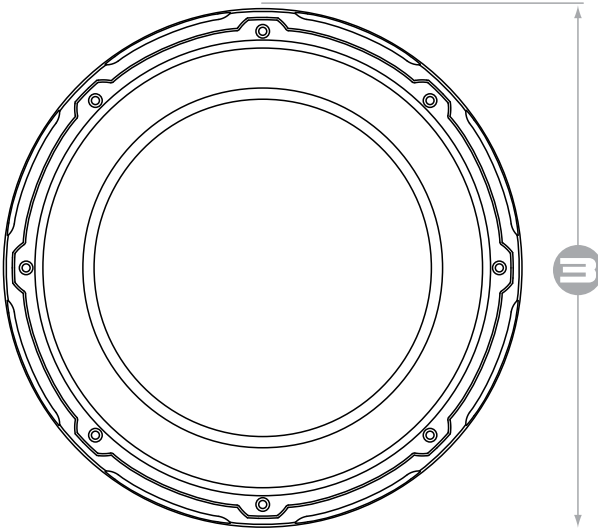
SUBWOOFERS (SVC)

- LA-S410
- LA-S412

LA-S410

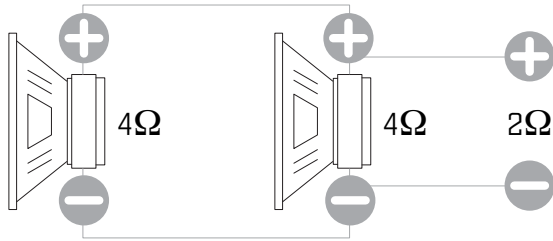


LA-S412

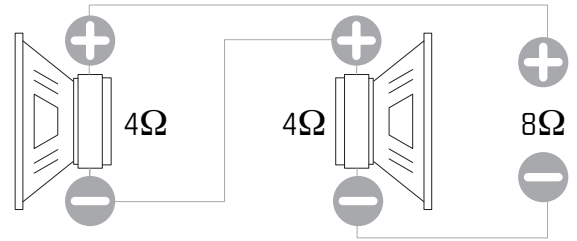


WIRING CONFIGURATIONS

PARALLEL



SERIES



MODEL	LA-S410	LA-S412
NOMINAL DIAMETER	10"	12"
NOMINAL IMPEDANCE	4Ω	4Ω
SPL (dB M/W)	86	85
POWER HANDLING (MAX)	300 watts	400 watts
POWER HANDLING (RMS)	100 watts	150 watts
F _s	44 Hz	34 Hz
QTS	0.609	0.834
VAS	0.73 ft ³	1.79 ft ³
X _{MAX}	0.5"	0.75"
1 MOUNTING DIAMETER	9.2"	10.9"
2 MOUNTING DEPTH	5.1"	5.8"
3 OVERALL DIAMETER (INCLUDING GRILLE)	10.7"	12.8"
4 OVERALL HEIGHT (INCLUDING GRILLE)	5.8"	6.6"
ENCLOSURE VOLUME (SEALED)	0.75 ft ³	1.0 ft ³
ENCLOSURE VOLUME (PORTED)	1.5 ft ³ (Part(1)-3' x 6.25')	2.0 ft ³ (Part(2)-3' x 14.5')
ENCLOSURE DIMENSIONS (SEALED)	12" x 16" x 10" (HxWxD)	15" x 17" x 10" (HxWxD)
ENCLOSURE DIMENSIONS (PORTED)	16" x 19" x 12" (HxWxD)	15" x 18" x 17" (HxWxD)

INSTALLATION

Preliminary Considerations:

- If you feel unsure about installing this system yourself, have it installed by a qualified technician.
- Think before you drill! Be careful not to cut or drill into gas tanks, fuel lines, brake or hydraulic lines, vacuum lines or electrical wiring when working on any vehicle.

CAUTION: Before installation, disconnect the battery negative (-) terminal to prevent damage to the unit, fire and/or possible injury.

- Listed enclosure recommendations are external dimensions, assuming the use of 3/4" thick material.

* Listed enclosure volumes are net internal volumes.

Note: Woofer displacement, port displacement and any bracing displacement must be added to obtain the final gross internal volume. Listed enclosure recommendations have already taken this into account.

- In the event of multiple subwoofers in a common enclosure, volume size is multiplied by the number of subwoofers and when using a ported enclosure the port(s) are multiplied as well.

DEUTSCH

MODELL	LA-S410	LA-S412
NENNDURCHMESSER	254 mm	305 mm
NENNIMPEDANZ	4 Ω	4 Ω
SPL (dB M/W)	86	85
NENNBELASTBARKEIT (MAX)	300 watt	400 watt
NENNBELASTBARKEIT (EFFEKTIVSPANNUNG)	100 watt	150 watt
F _s	44 Hz	34 Hz
Q _{TS}	0.609	0.834
VAS	20.7 L	50.7 L
X _{MAX}	13 mm	19 mm
1 BEFESTIGUNGSDURCHMESSER	234 mm	277 mm
2 BEFESTIGUNGSTIEFE	130 mm	147 mm
3 GESAMTDURCHMESSER (EINSCHLIESSLICH GITTER)	271 mm	324 mm
4 GESAMTHÖHE (EINSCHLIESSLICH GITTER)	148 mm	167 mm
GEHÄUSEVOLUMEN (VERSIEGELT)	21.2 L	28.3 L
GEHÄUSEVOLUMEN (MIT ÖFFNUNGEN VERSEHEN)	42.5 L (Part(1)-76mm x 159mm)	56.6 L (Part(2)-76mm x 368mm)
GEHÄUSEABMESSUNGEN (VERSIEGELT)	305 mm x 406 mm x 254 mm (HxBxT)	381 mm x 432 mm x 254 mm (HxBxT)
GEHÄUSEABMESSUNGEN (MIT ÖFFNUNGEN VERSEHEN)	406 mm x 483 mm x 305 mm (HxBxT)	381 mm x 457 mm x 432 mm (HxBxT)

EINBAU

Vorberlegungen:

- Wenn Sie beim Einbau des Gerts unsicher sind, lassen Sie es von einem qualifizierten Techniker einbauen.
- Denken Sie nach, bevor Sie bohren! Achten Sie darauf, nicht in den Benzintank, die Benzin-, Brems- oder hydraulischen Leitungen, Vakuumleitungen oder Elektrokabel zu schneiden oder zu bohren, wenn Sie am Fahrzeug arbeiten.

VORSICHT: Entfernen Sie vor dem Einbau den negativen (-) Batteriepol, um Schäden am Gert, Feuer bzw. mögliche Verletzungen zu vermeiden.

- Die angegebenen Gehäuseempfehlungen sind reine Abmessungen, die von der Verwendung von 19 mm dickem Material ausgehen.

* Angegebene Gehäusevolumina sind interne Nettovolumina.

HINWEIS: Verdrängung durch Tieftöner, Öffnungen und Halterungen muss hinzugefügt werden, um das letztendliche interne Bruttovolumen zu berechnen. Bei den angegebenen Gehäuseempfehlungen wurde dies bereits berücksichtigt.

- In Fall von mehreren Subwoofern in einem gemeinsamen Gehäuse wird die Volumengrenze mit der Zahl von Subwoofern multipliziert. Wenn ein mit Öffnungen versehenes Gehäuse verwendet wird, werden die Öffnungen ebenfalls multipliziert.

INFORMATIONEN ZUR BESCHRÄNKTEN GARANTIE

Produkte, die von Konsumenten bei einem Vertragshändler von Lightning Audio außerhalb der USA gekauft wurden, sind unter der Garantie des Vertragshändlers von Lightning Audio für das Land, in dem die Produkte gekauft wurden, gedeckt.

FRANÇAIS

	LA-S410	LA-S412
MODÈLE		
DIAMÈTRE NOMINAL	254 mm	305 mm
IMPÉDANCE NOMINALE	4 Ω	4 Ω
SPL (dB M/W)	86	85
PUISSANCE ADMISSIBLE (MAX.)	300 watts	400 watts
PUISSANCE ADMISSIBLE (EFFICACE)	100 watts	150 watts
FS	44 Hz	34 Hz
QTS	0.609	0.834
VAS	20.7 L	50.7 L
XMAX	13 mm	19 mm
1 DIAMÈTRE DE MONTAGE	234 mm	277 mm
2 PROFONDEUR DE MONTAGE	130 mm	147 mm
3 DIAMÈTRE HORS TOUT (GRILLE INCLUSE)	271 mm	324 mm
4 HAUTEUR HORS TOUT (GRILLE INCLUSE)	148 mm	167 mm
VOLUME DE L'ENCEINTE (CLOSE)	21.2 L	28.3 L
VOLUME DE L'ENCEINTE (AVEC ÉVENT)	42.5 L (Port(1)-76mm x 159mm)	56.6 L (Port(2)-76mm x 368mm)
DIMENSIONS DE L'ENCEINTE (CLOSE)	305 mm X 406 mm X 254 mm (HxBxT)	381 mm X 432 mm X 254 mm (HxBxT)
DIMENSIONS DE L'ENCEINTE (AVEC ÉVENT)	406 mm X 483 mm X 305 mm (HxBxT)	381 mm X 457 mm X 432 mm (HxBxT)

INSTALLATION

Précautions préliminaires

- Si vous n'êtes pas sûr(e) d'arriver à installer le système par vous-même, confiez la tâche à un technicien qualifié.
- Renseignez-vous bien avant de percer. Veuillez ne pas couper ou percer le réservoir d'essence, le câblage électrique ou les conduites de carburant, de freinage hydraulique ou de pression en travaillant sur un véhicule.

ATTENTION : Avant l'installation, débranchez la borne négative (-) de la batterie pour éviter d'endommager l'appareil et prévenir les risques d'incendie et de dommages corporels.

- Les dimensions d'enceinte indiquées dans les recommandations sont des dimensions externes basées sur l'emploi d'un matériau de 19 mm.

* Les volumes d'enceinte indiqués sont des volumes internes nets.

Remarque : Il est nécessaire d'ajouter le volume du haut-parleur de graves, de l'évent et des éléments de fixation pour obtenir le volume interne brut. Les recommandations données pour l'enceinte prennent déjà cela en compte.

- Si l'enceinte doit contenir plusieurs haut-parleurs de graves, le volume est multiplié par leur nombre ; cette multiplication s'applique également aux éventuels vents.

INFORMATIONS SUR LA GARANTIE LIMITÉE

Les articles vendus au public par un distributeur Lightning Audio agréé situés hors des États-Unis sont couverts par celui-ci dans le pays d'achat.

ESPAÑOL

MODELO	LA-S410	LA-S412
DIÁMETRO NOMINAL	254 mm	305 mm
IMPEDANCIA NOMINAL	4 Ω	4 Ω
SPL (dB M/W)	86	85
MANEJO DE LA POTENCIA (MÁX.)	300 vatios	400 vatios
MANEJO DE LA POTENCIA (RMS)	100 vatios	150 vatios
F _s	44 Hz	34 Hz
QTS	0.609	0.834
VAS	20.7 L	50.7 L
X _{MAX}	13 mm	19 mm
1 DIÁMETRO DE MONTAJE	234 mm	277 mm
2 PROFUNDIDAD DE MONTAJE	130 mm	147 mm
3 DIÁMETRO GENERAL (INCLUYENDO LA REJILLA)	271 mm	324 mm
4 ALTURA GENERAL (INCLUYENDO LA REJILLA)	148 mm	167 mm
VOLUMEN DE LA CAJA (SELLADA)	21.2 L	28.3 L
VOLUMEN DE LA CAJA (CON PUERTO)	42.5 L (Port(1)-76mm x 159mm)	56.6 L (Port(2)-76mm x 368mm)
DIMENSIONES DE LA CAJA (SELLADA)	305 mm x 406 mm x 254 mm (HxBxT)	381 mm x 432 mm x 254 mm (HxBxT)
DIMENSIONES DE LA CAJA (CON PUERTO)	406 mm x 483 mm x 305 mm (HxBxT)	381 mm x 457 mm x 432 mm (HxBxT)

INSTALACIÓN

Consideraciones preliminares:

- Si no está seguro si debe hacer la instalación de este sistema usted mismo, haga que lo instale un técnico calificado.
- Piense siempre antes de perforar! Tenga cuidado de no cortar ni perforar tanques de combustible, tuberías de combustible, frenos o hidráulicas, tuberías de vacío o cableado eléctrico al trabajar en cualquier vehículo.

PRECAUCIÓN: Antes de efectuar la instalación, desconecte el terminal negativo (-) de la batería para evitar daños a la unidad, incendio y/o posiblemente lesiones.

- Las recomendaciones enumeradas para la caja son dimensiones externas, suponiendo que se usa un material de 3/4 pulg. de espesor.

* Los volúmenes de cajas listados son volúmenes internos netos.

Nota: Se debe sumar el desplazamiento del woofer, el desplazamiento del puerto y cualquier desplazamiento de los refuerzos para obtener el volumen interno bruto final. Las recomendaciones enumeradas para la caja ya han tomado esto en consideración.

- En caso de haber múltiples subwoofers en una caja común, se multiplica el tamaño del volumen por la cantidad de subwoofers y al usar una caja con puerto, también se multiplica los puertos.

INFORMACIÓN DE LA GARANTÍA LIMITADA

Los productos comprados por consumidores de un distribuidor autorizado de Lightning Audio situado afuera de los EE.UU. están cubiertos por el distribuidor autorizado de Lightning Audio para el país en que se ha comprado los productos.

ITALIANO

MODELLO	LA-S410	LA-S412
DIAMETRO NOMINALE	254 mm	305 mm
IMPEDEENZA NOMINALE	4 Ω	4 Ω
SPL (dB M/W)	86	85
CAPACITÀ DI POTENZA (MASSIMA)	300 watt	400 watt
CAPACITÀ DI POTENZA (RMS)	100 watt	150 watt
FS	44 Hz	34 Hz
QTS	0.609	0.834
VAS	20.7 L	50.7 L
XMAX	13 mm	19 mm
1 DIAMETRO DI MONTAGGIO	234 mm	277 mm
2 PROFONDITÀ DI MONTAGGIO	130 mm	147 mm
3 DIAMETRO COMPLESSIVO (INCLUSA LA MASCHERINA)	271 mm	324 mm
4 ALTEZZA COMPLESSIVA (INCLUSA LA MASCHERINA)	148 mm	167 mm
VOLUME DELL'ARMADIETTO (A TENUTA)	21.2 L	28.3 L
VOLUME DELL'ARMADIETTO (CON PORTA)	42.5 L (Port(1)-76mm x 159mm)	56.6 L (Port(2)-76mm x 368mm)
DIMENSIONI DELL'ARMADIETTO (A TENUTA)	305 mm x 406 mm x 254 mm (HxBxT)	381 mm x 432 mm x 254 mm (HxBxT)
DIMENSIONI DELL'ARMADIETTO (CON PORTA)	406 mm x 483 mm x 305 mm (HxBxT)	381 mm x 457 mm x 432 mm (HxBxT)

INSTALLAZIONE

Considerazioni preliminari:

- Se si teme di non riuscire a installare il sistema da se stessi, incaricare dell'installazione un tecnico qualificato.
- Pensarci prima di fare fori col trapano! Quando si lavora su un veicolo, fare sempre attenzione a non intaccare o praticare fori nel serbatoio e nelle tubature della benzina, nelle tubature idrauliche o in quelle dei freni, nelle tubature sottovuoto e nelle linee dell'impianto elettrico.

ATTENZIONE: prima dell'installazione, scollegare il terminale negativo (-) della batteria per evitare danni all'unit, incendio e/o il rischio di lesioni.

- I consigli per gli armadietti elencati si riferiscono a dimensioni esterne, assumendo l'uso di un materiale di 3/4 di pollice (1,9 cm) di spessore.

* I volume di armadietto elencati rappresentano I volume interni.

Nota: per determinare il volume lordo interno finale si dovranno aggiungere il dislocamento del woofer, il dislocamento della porta e quello di eventuali elementi di rinforzo. I consigli per gli armadietti elencati tangono in considerazione tali aggiunte.

- Nell'eventualit di pi subwoofer in un armadietto comune, la misura del volume moltiplicata per il numero di subwoofer e, nel caso di armadietto con porta si moltiplica anche la porta (o porte).

INFORMAZIONI SULLA GARANZIA LIMITATA

I prodotti acquistati dai consumatori da rivenditori autorizzati Lightning Audio situati fuori degli USA sono coperti dalla garanzia offerta dal distributore autorizzato Lightning Audio per ilo Paese nel quale il prodotto stato acquistato.

LIMITED WARRANTY INFORMATION

LIGHTNING AUDIO OFFERS A LIMITED WARRANTY ON PRODUCTS SUBJECT TO THE FOLLOWING TERMS:

• **LENGTH OF WARRANTY:**

Speakers - One year replacement warranty from date of original purchase - requires proof of purchase.

Amplifiers - One year replacement warranty from date of original purchase - requires proof of purchase.

• **WHAT IS COVERED:**

This warranty applies only to Lightning Audio products sold to consumers by an authorized Lightning Audio Dealer in the United States of America. Products purchased by consumers from an authorized Lightning Audio Dealer located outside of the USA are covered by the authorized Lightning Audio Distributor for the country in which the products were purchased.

• **WHO IS COVERED:**

This warranty covers only the original purchaser of Lightning Audio product purchased from an authorized Lightning Audio Dealer in the United States. In order to receive service, the purchaser must provide Lightning Audio with a dated copy of the sales receipt stating the customer name, dealer name and product(s) purchased. Products found to be defective during the warranty period will be replaced (with a product deemed to be equivalent at Lightning Audio's sole discretion) by Lightning Audio.

• **WHAT IS NOT COVERED:**

1. Damage caused by accident, misuse, abuse, improper installation or operation, water or moisture, excessive heat, theft, or shipping
2. Any cost or expense related to the removal or reinstallation of product
3. Items previously repaired, serviced or modied by an unauthorized service center
4. Any product which has had the serial number defaced, altered, or removed
5. Subsequent damage to other components
6. Any product purchased outside the U.S.
7. Any product not purchased from an authorized Lightning Audio Dealer

• **LIMIT ON IMPLIED WARRANTIES**

Any implied warranties of fitness for use and merchantability are limited in duration to the period of the express warranty set forth above. Some states do not allow limitations on the length of an implied warranty, so this limitation may not apply. No person is authorized to assume for Lightning Audio any other liability in connection with the sale of the product.

• **HOW TO OBTAIN SERVICE**

Defective products should be returned to your local authorized Lightning Audio Dealer for warranty service or, you may call 1-888-881-8186 for Lightning Audio customer service. You must obtain an RA# (Return Authorization number) prior to returning any product to Lightning Audio. Return Authorizations are valid for 30 days. You are responsible for the shipment of defective product to Lightning Audio and you **MUST** include valid proof of purchase. Mark your RA# clearly on outside of your shipping carton. Products received without a valid RA# will be refused and returned to sender at sender's expense.