

Installation Instructions

M770-ETXv2 MX770-ETXv2

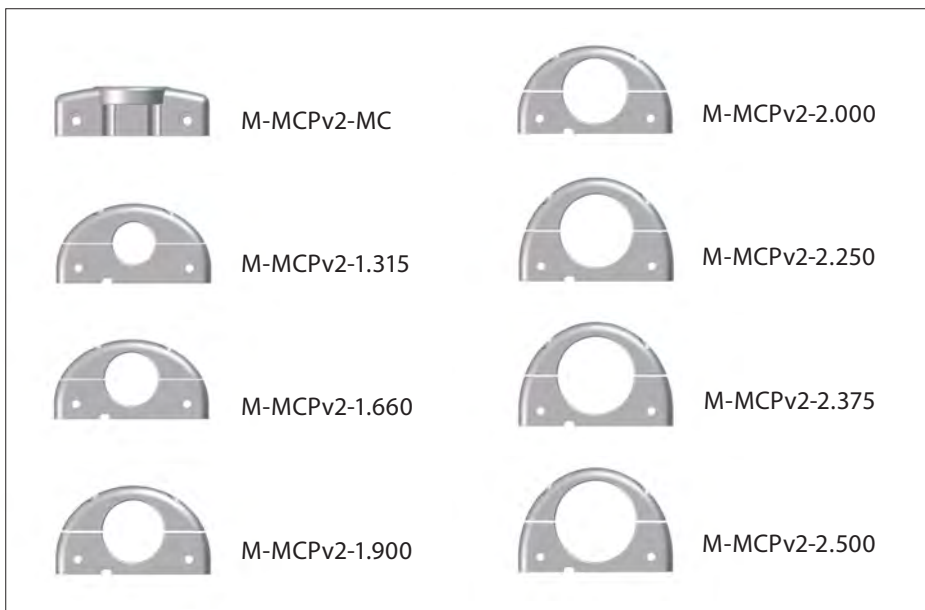
Marine Enclosed Tower Coaxial Speaker System



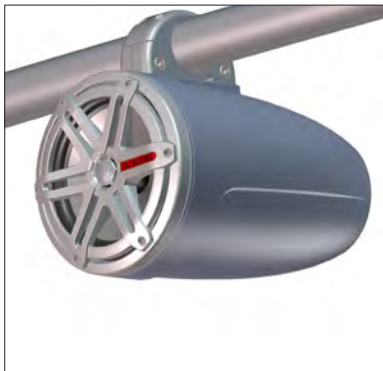
! IMPORTANT

ETXv2 Mounting Clamps (Sold Separately in Pairs) are required to complete installation of this product.

Available Models:

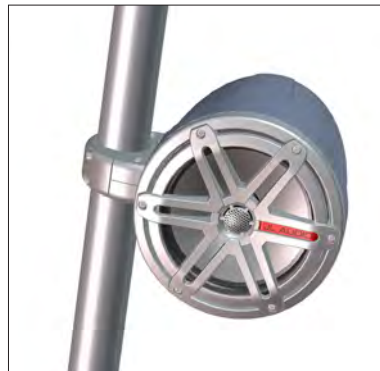


Choose your installation method:



Horizontal Mounting Option

Page 2



Vertical Mounting Option

Page 6

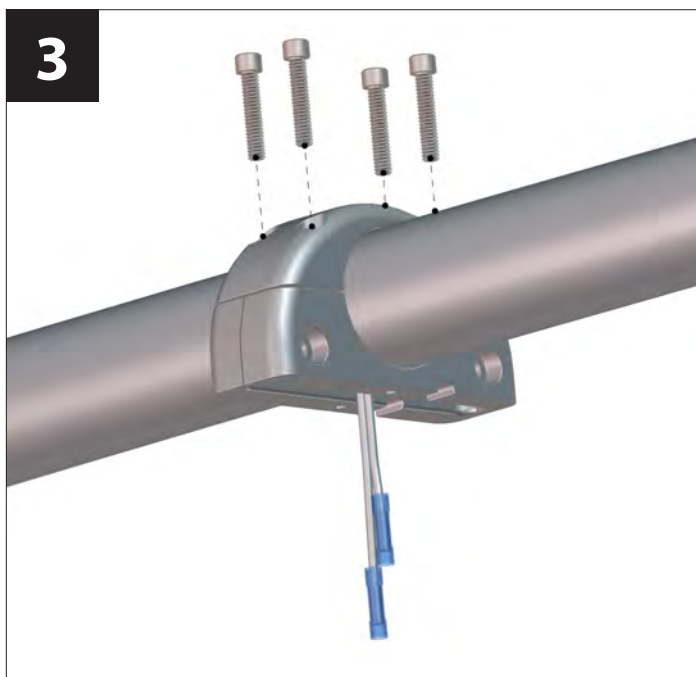
M770-ETXv2 Horizontal Mounting Instructions



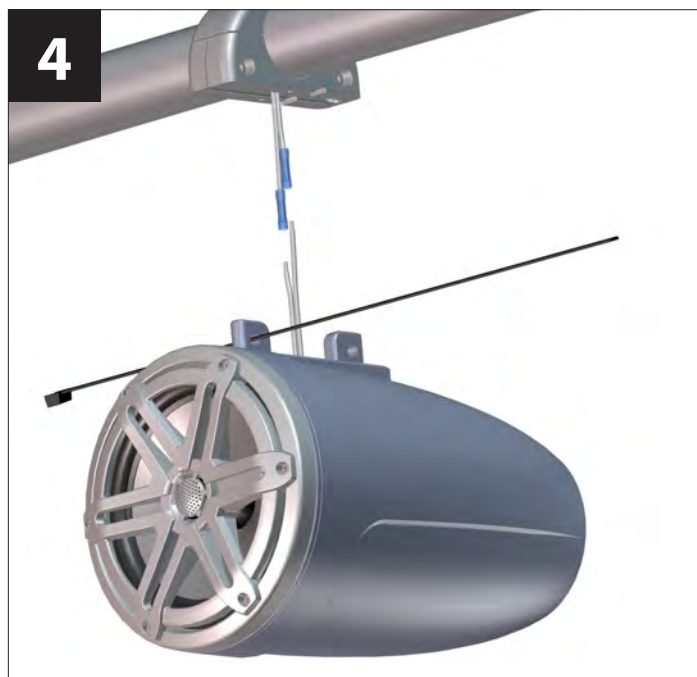
Pass the speaker cable exiting the tower through the opening in the lower half of the clamp. Crimp the supplied butt connectors onto the wire.



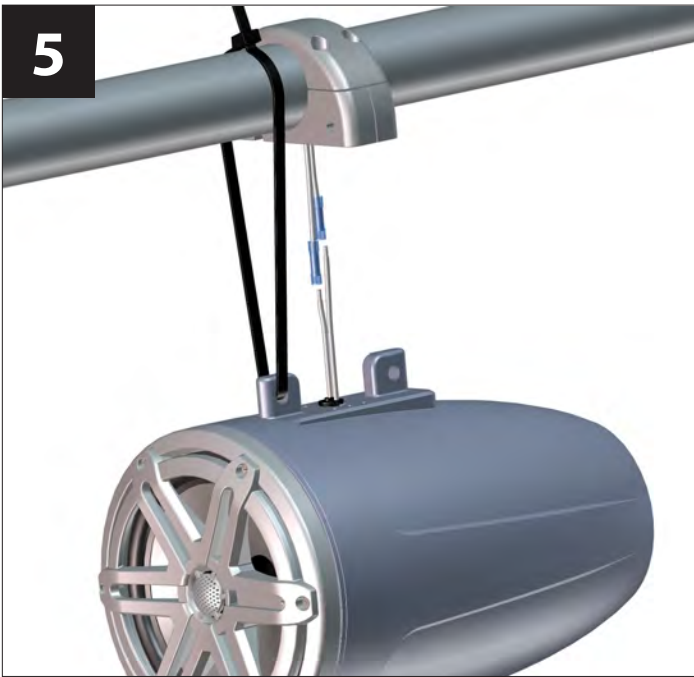
Alternately, the wire can be passed through one of the holes in the side of the clamp in applications where routing through the tower isn't possible.



Align the upper and lower clamps around the tower. Hand tighten the four 1/4 - 20 x 1-1/4" machine screws into the clamp.

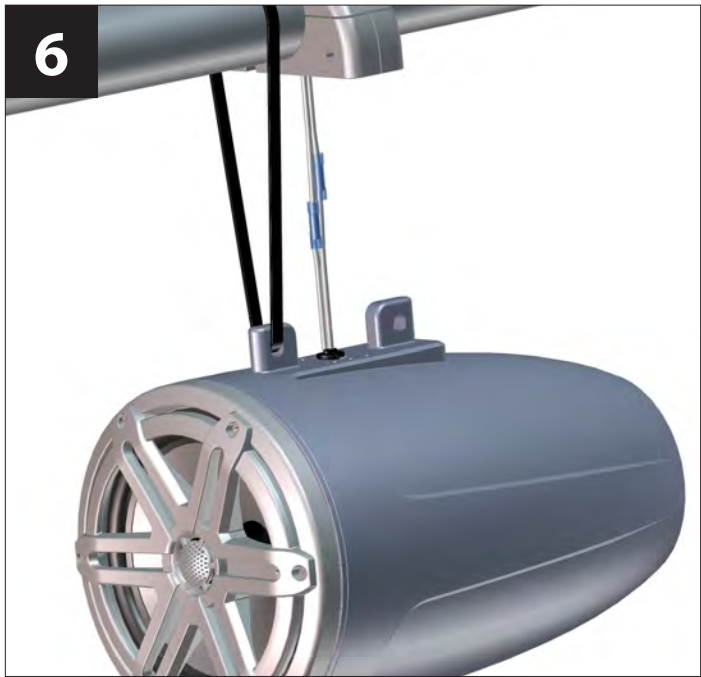


Slide a cable tie through the front hole on the top of the enclosure.



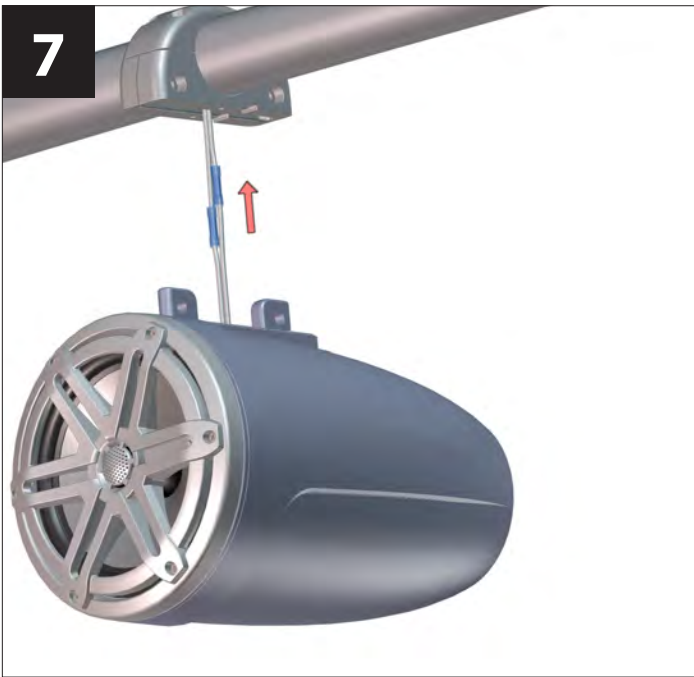
5

Strap the enclosure to the tower with the cable tie.



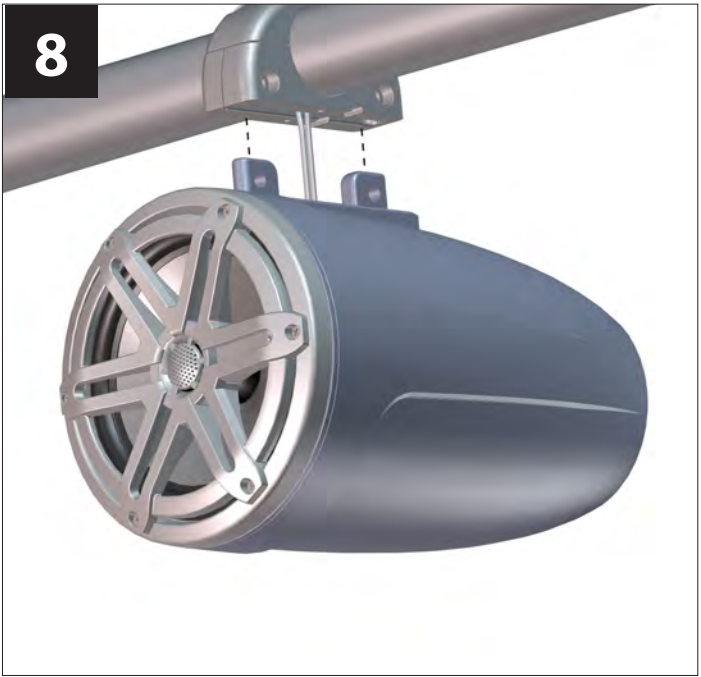
6

Tighten the tie leaving approximately 6" between the enclosure and the tower. Connect the wires from the enclosure to the wires exiting the tower.



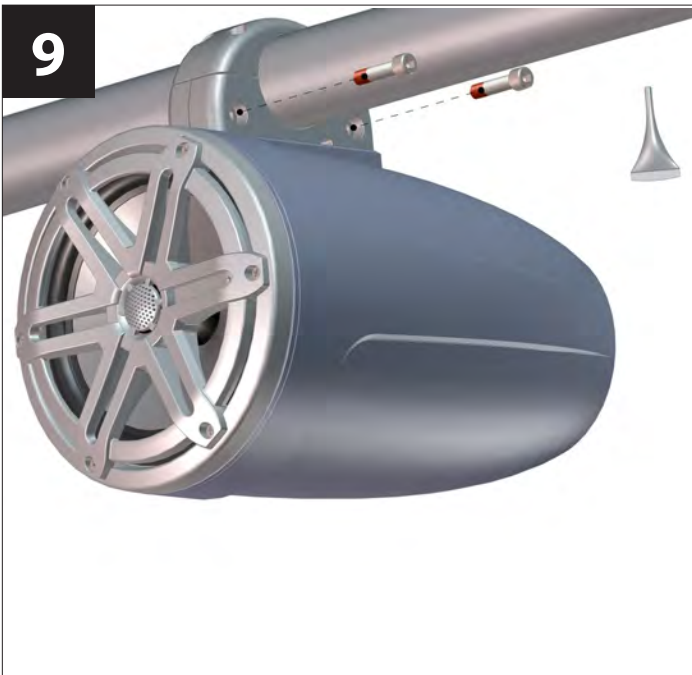
7

Cut the cable tie and slide the excess wire into the tower.

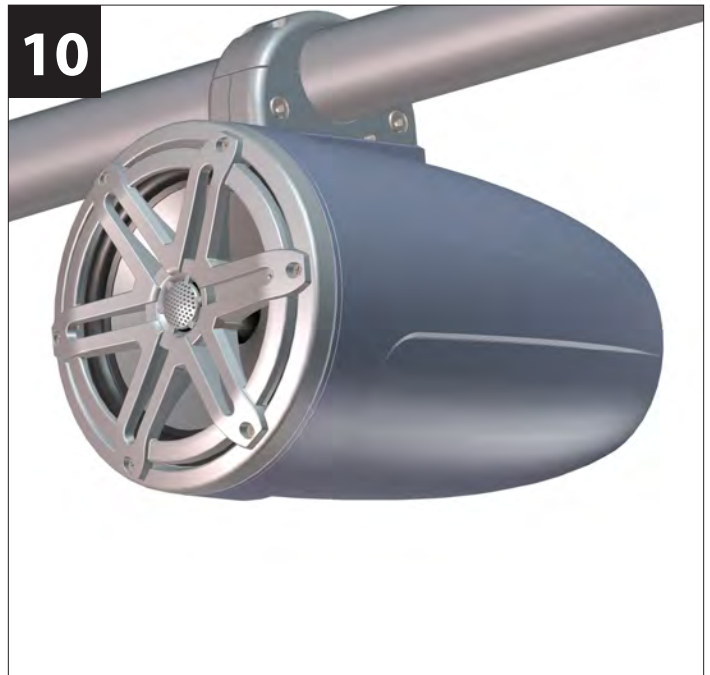


8

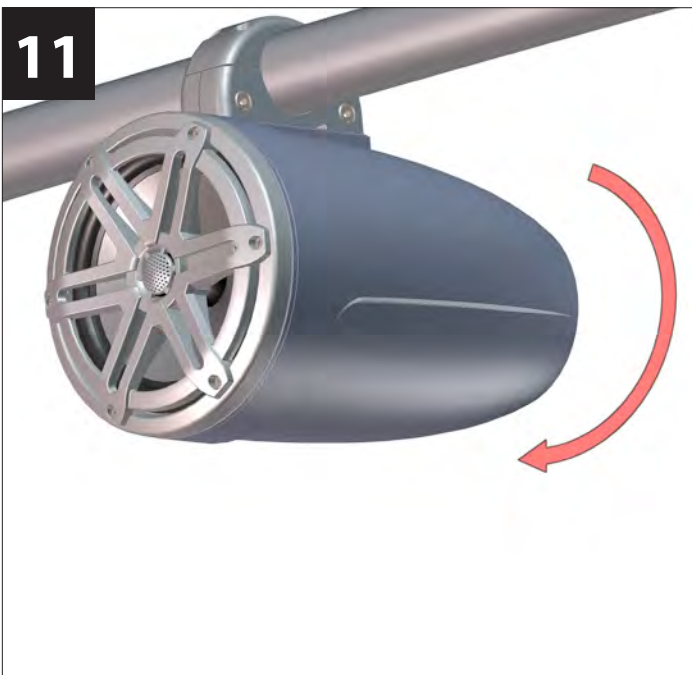
Push the tower enclosure tabs inside the clamp and align the screw holes.



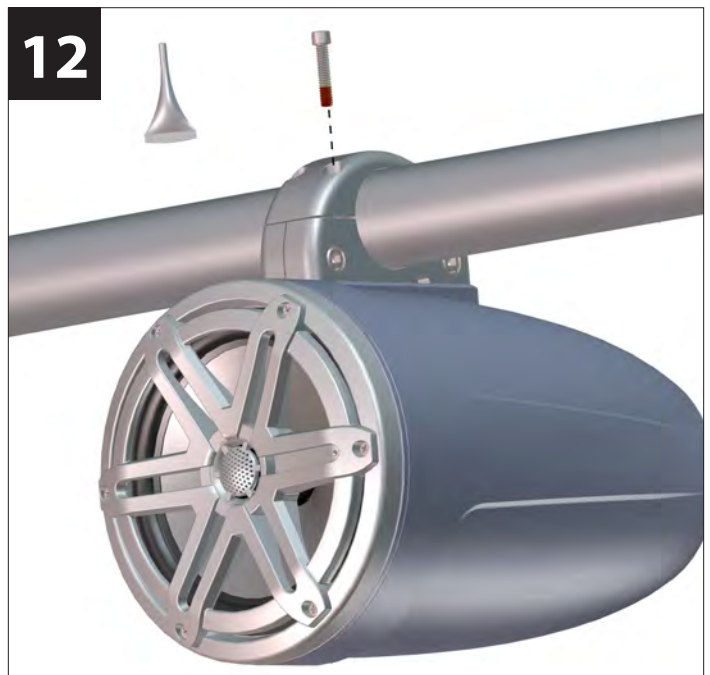
Apply Loctite® to the two 5/16 - 18 x 1-1/4" machine screws. Hold the enclosure in place and thread the screws into the clamp.



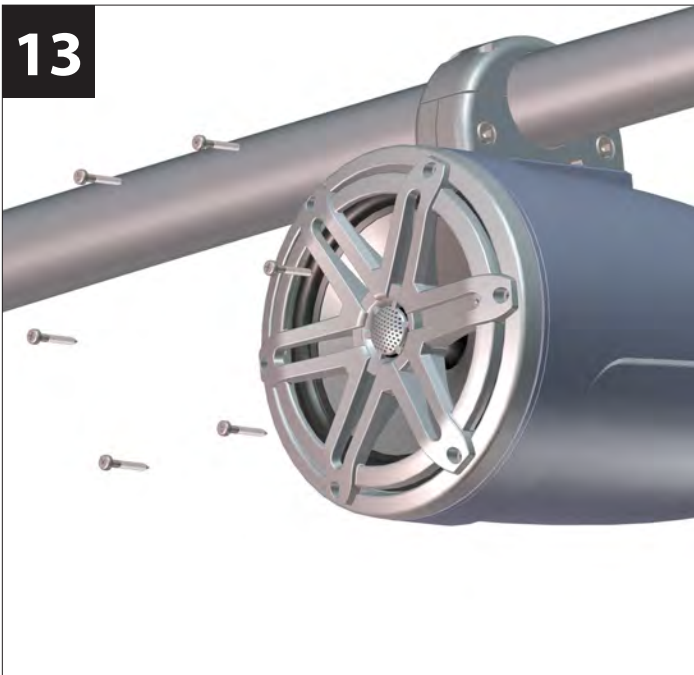
Tighten the screws while pushing up on the enclosure to ensure there is no gap between the clamp and the enclosure.



Align the enclosure and clamp assembly to the desired position.

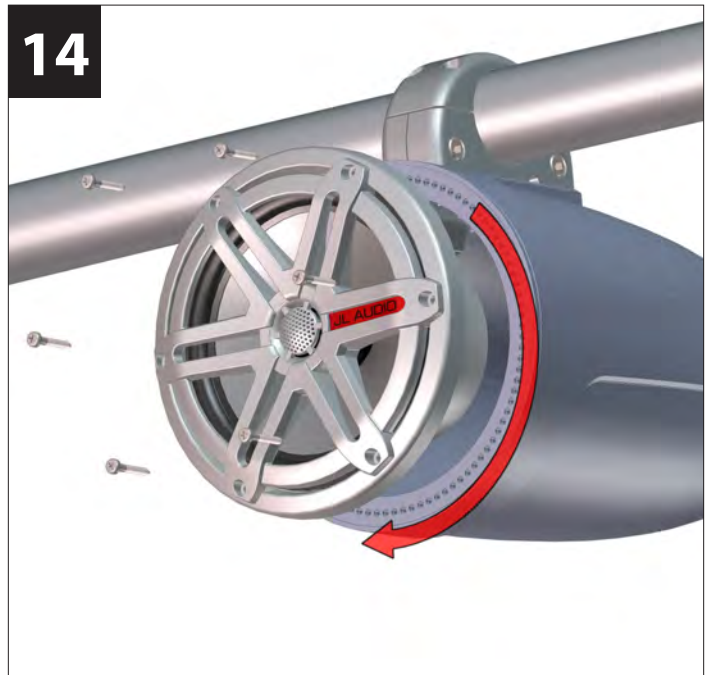


Remove one of the 1/4 - 20 x 1-1/4" machine screws. Apply Loctite®, reinstall and fully tighten. Repeat the process for the other three screws.



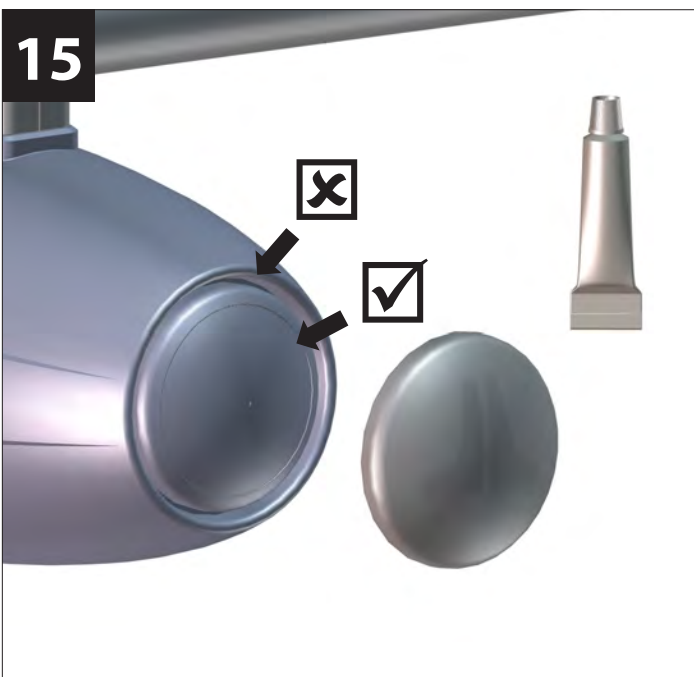
13

If a different speaker angle is desired, remove the speaker mounting screws.



14

Pull the speaker out of the enclosure and rotate it to the desired angle, then reinstall the speaker mounting screws. Remove adhesive backing and install the JL Audio logo badge (Sport Grille Models Only).



15

Apply silicone along the inner ring on the back of the enclosure. Do not apply any silicone in the outer groove of the enclosure. For best adhesion, it is recommended to clean rear of aluminum cap with acetone.

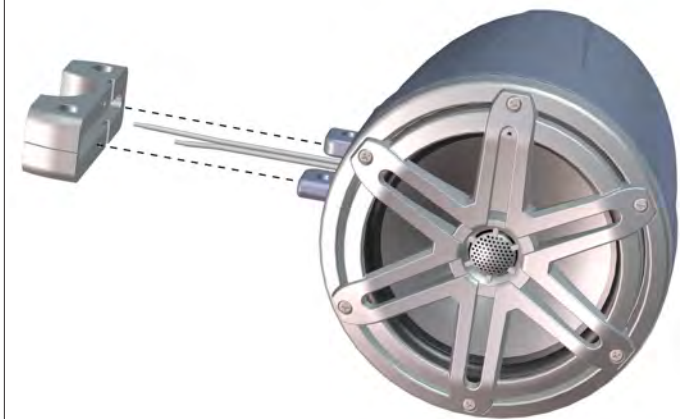


16

Align the rear cap to the desired angle and press it onto the back of the enclosure. Apply tape to hold the cap in place until the silicone is cured.

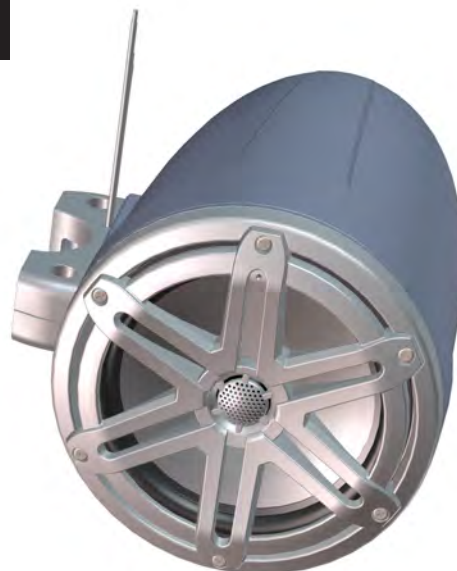
M770-ETXv2 Vertical Mounting Instructions

1



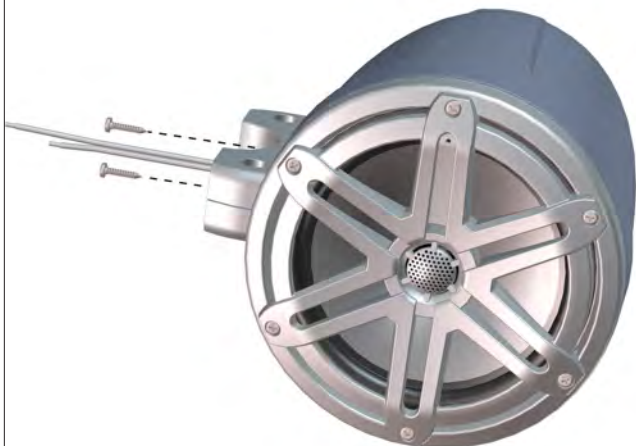
Pass the speaker cable exiting the enclosure through the lower half of the clamp.

2



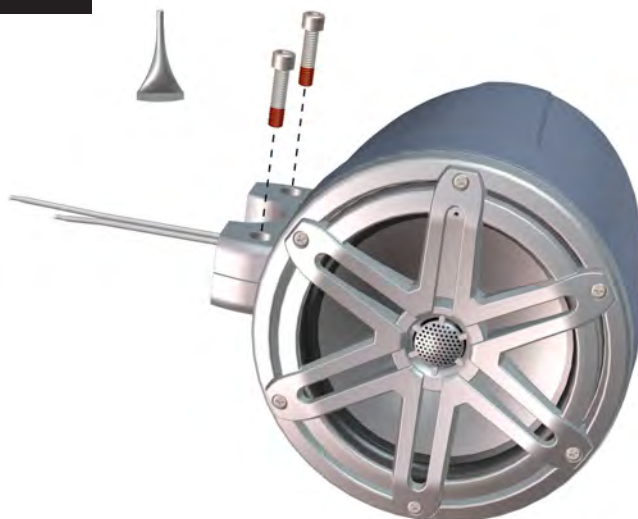
Alternately, the wire can be passed through one of the holes in the side of the clamp in applications where routing through the pipe isn't possible.

3

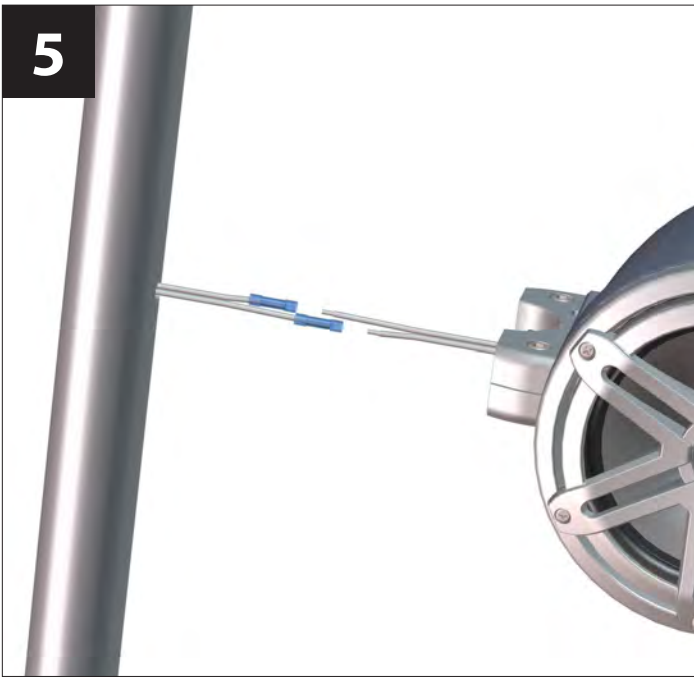


Secure the lower half of the clamp to the enclosure using the two #8 x 3/4" thread forming screws.

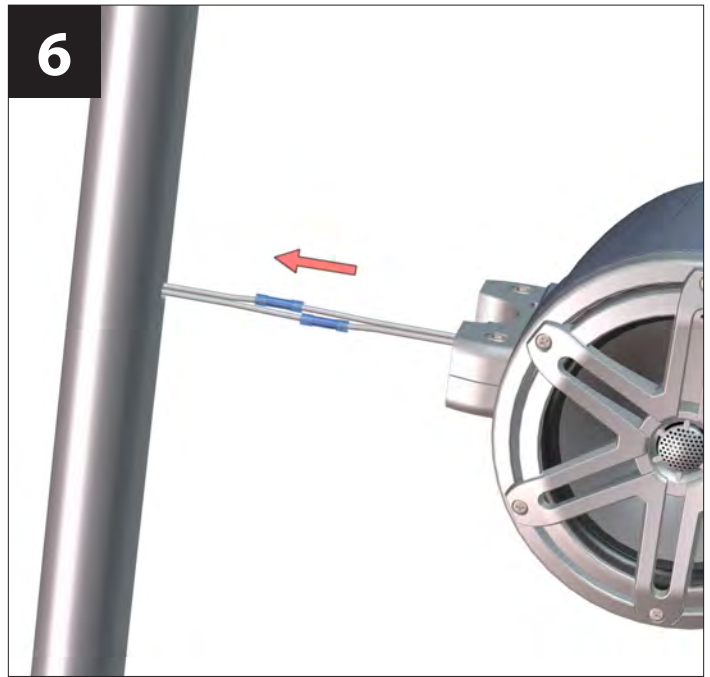
4



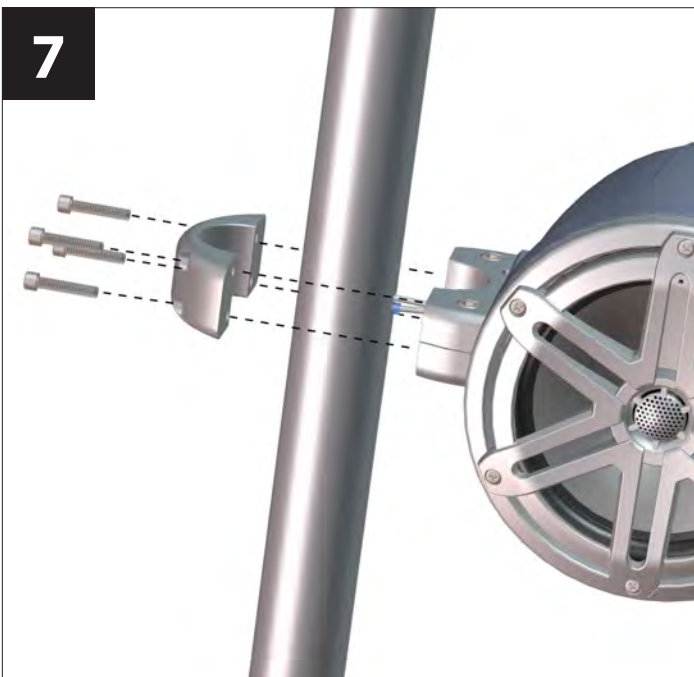
Apply Loctite® to the two 5/16 - 18 x 1-1/4" machine screws, thread them into the lower half of the clamp, and fully tighten.



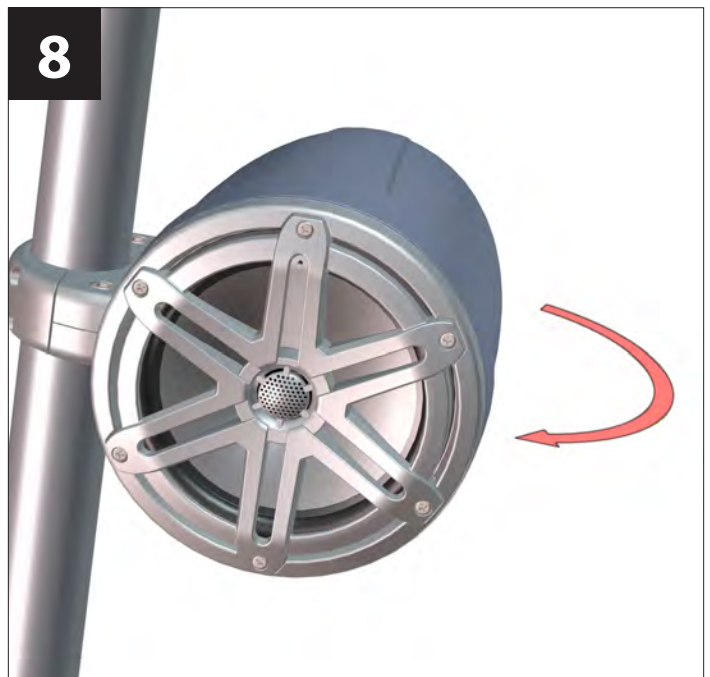
Crimp the supplied butt connectors on the wire and connect the wires from the enclosure to the wires exiting the tower.



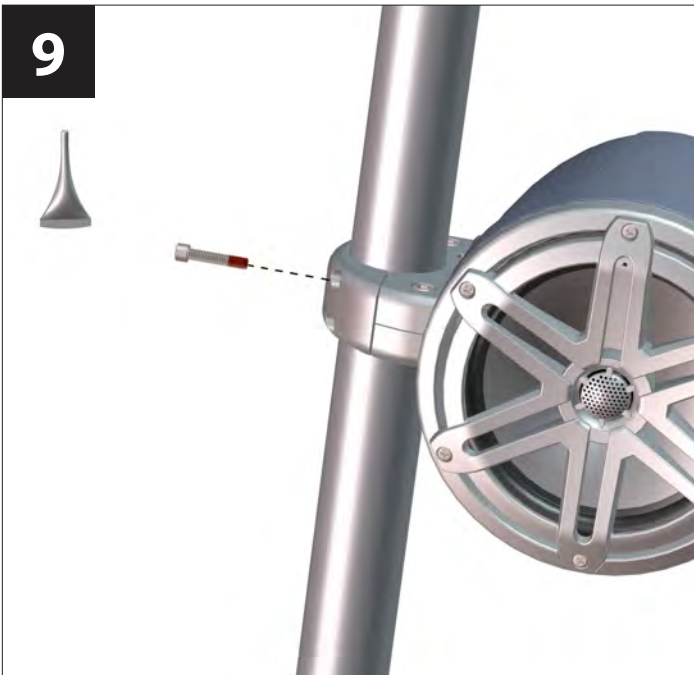
Slide the excess wire into the tower.



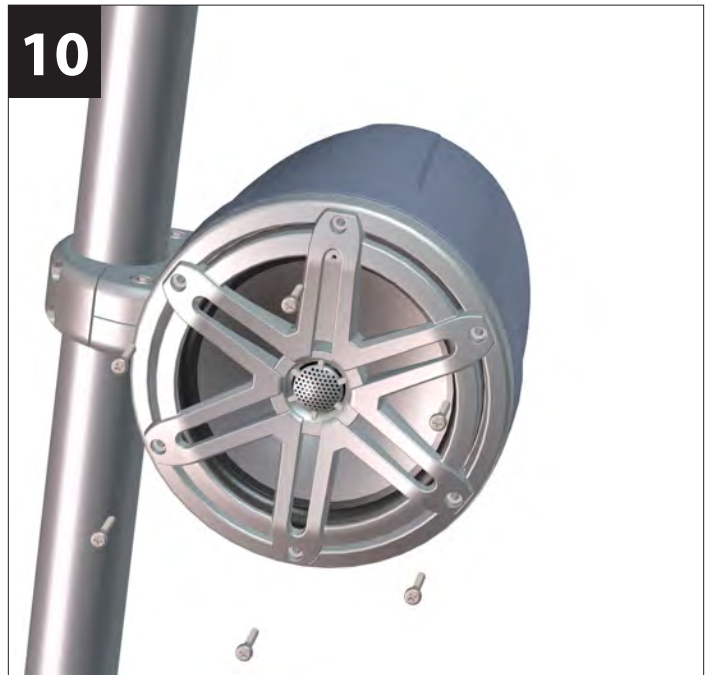
Align the upper and lower clamps around the tower. Hand tighten the four 1/4 - 20 x 1-3/4" machine screws into the clamps.



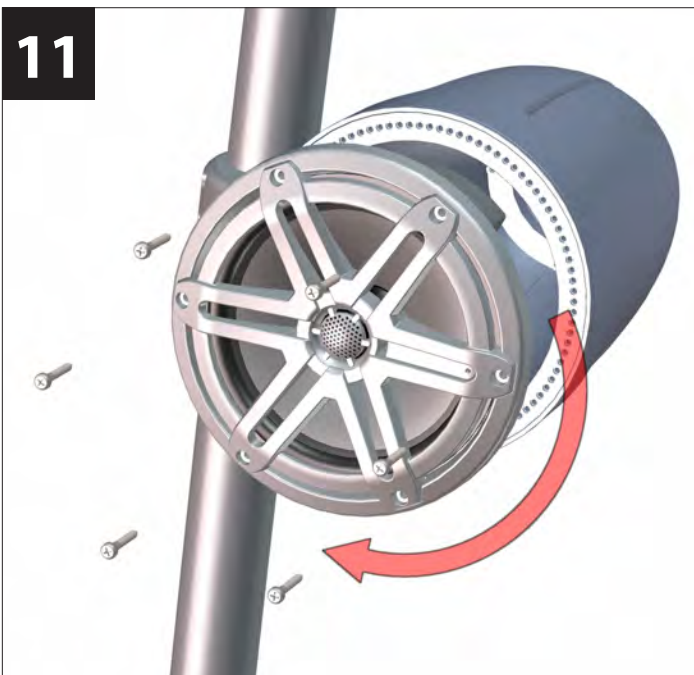
Align the enclosure and clamp assembly to the desired position.



Remove one of the 1/4 - 20 x 1-1/4" machine screws. Apply Loctite®, reinstall and fully tighten. Repeat the process for the other three screws.



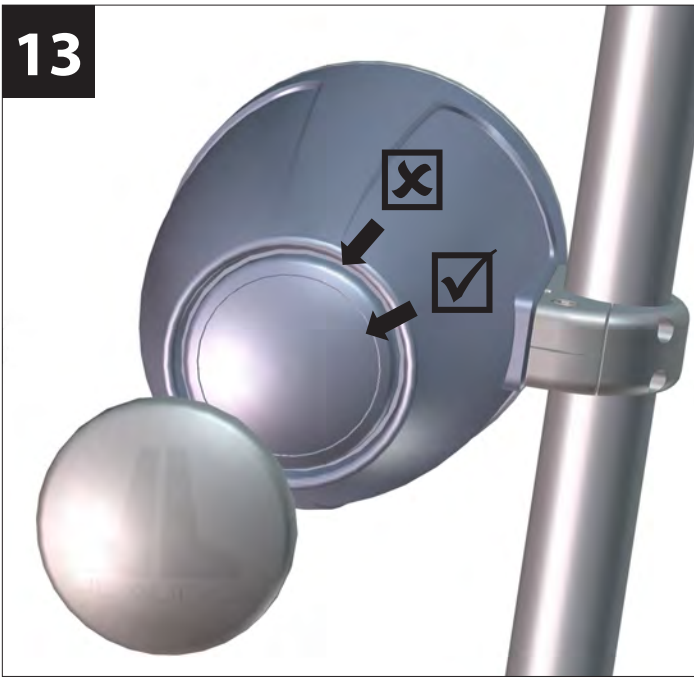
If a different speaker angle is desired, remove the speaker mounting screws.



Pull the speaker out of the enclosure and rotate it to the desired angle.



Reinstall the speaker with the speaker mounting screws. Remove adhesive backing and install the JL Audio logo badge (Sport Grille Models Only).

13

Apply silicone along the inner ring on the back of the enclosure. Do not apply any silicone in the outer groove of the enclosure. For best adhesion, it is recommended to clean rear of aluminum cap with acetone.

14

Align the rear cap to the desired angle and press it onto the back of the enclosure. Apply tape to hold the cap in place until the silicone is cured.

Driver Specifications:

	MX770-ETXv2	M770-ETXv2
Continuous Power Handling (RMS Method)	70 Watts / channel	100 Watts / channel
Frequency Response	45 Hz - 25 KHz (± 3 dB)	45 Hz - 25 KHz (± 3 dB)
Efficiency @ 1W/1m	90.5 dB	91.0 dB
Nominal Impedance	4 ohms	4 ohms

LIMITED WARRANTY - MARINE PRODUCTS (USA)

JL AUDIO warrants this product to be free of defects in materials and workmanship for a period of two (2) years from the original date of purchase.

This warranty is not transferable and applies only to the original purchaser from an authorized JL AUDIO dealer. Should service be necessary under this warranty for any reason due to manufacturing defect or malfunction, JL AUDIO will (at its discretion), repair or replace the defective product with new or remanufactured product at no charge. Damage caused by the following is not covered under warranty: accident, misuse, abuse, product modification or neglect, failure to follow installation instructions, unauthorized repair attempts, misrepresentations by the seller. This warranty does not cover incidental or consequential damages and does not cover the cost of removing or reinstalling the unit(s). Cosmetic damage due to accident or normal wear and tear is not covered under warranty.

Warranty is void if the product's serial number has been removed or defaced.

Any applicable implied warranties are limited in duration to the period of the express warranty as provided herein beginning with the date of the original purchase at retail, and no warranties, whether express or implied, shall apply to this product thereafter. Some states do not allow limitations on implied warranties, therefore these exclusions may not apply to you. This warranty gives you specific legal rights, and you may also have other rights which vary from state to state.

If you need service on your JL AUDIO product:

All warranty returns should be sent to JL AUDIO's Amplifier Service Facility freight-prepaid through an authorized JL AUDIO dealer and must be accompanied by proof of purchase (a copy of the original sales receipt). Direct returns from consumers or non-authorized dealers will be refused unless specifically authorized by JL AUDIO with a valid return authorization number.

Warranty expiration on products returned without proof of purchase will be determined from the manufacturing date code. Coverage may be invalidated as this date is previous to purchase date. Non-defective items received will be returned freight-collect. Customer is responsible for shipping charges and insurance in sending the product to JL AUDIO. Freight damage on returns is not covered under warranty.

For Service Information in the U.S.A. please call

JL Audio Customer Service: (954) 443-1100

9:00 AM – 5:30 PM (Eastern Time Zone)

JL Audio, Inc

10369 North Commerce Pkwy.

Miramar, FL 33025

(do not send product for repair to this address)

International Warranties:

Products purchased outside the United States of America are covered only by that country's distributor and not by JL Audio, Inc.



Ahead of the Curve®

www.jlaudio.com

10369 North Commerce Parkway • Miramar, Florida • 33025 • USA

"JL Audio" and the JL Audio logo, "Stealthbox" and the Stealthbox logo are registered trademarks of JL Audio, Inc. "Ahead of the Curve" and its respective logo is a trademark of JL Audio, Inc. ©2012 JL Audio, Inc. • U.S. PATENTS: #5,734,734 #5,949,898 #6,118,884 #6,229,902 #6,243,479 #6,294,959 #6,501,844 #6,496,590 #6,441,685 #5,687,247 #6,219,431 #6,625,292 #D472,891 #D480,709 Other U.S. & Foreign patents pending. For more detailed information please visit us online at www.jlaudio.com. Due to our policy of continuous product development, all specifications are subject to change without notice.



SKU# 011345 08-2012

Printed in U.S.A.