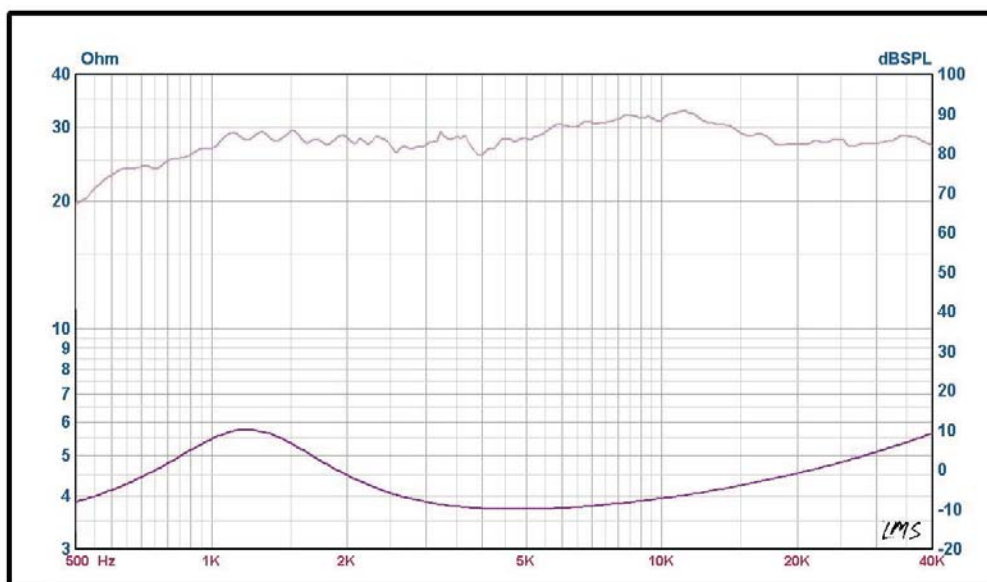
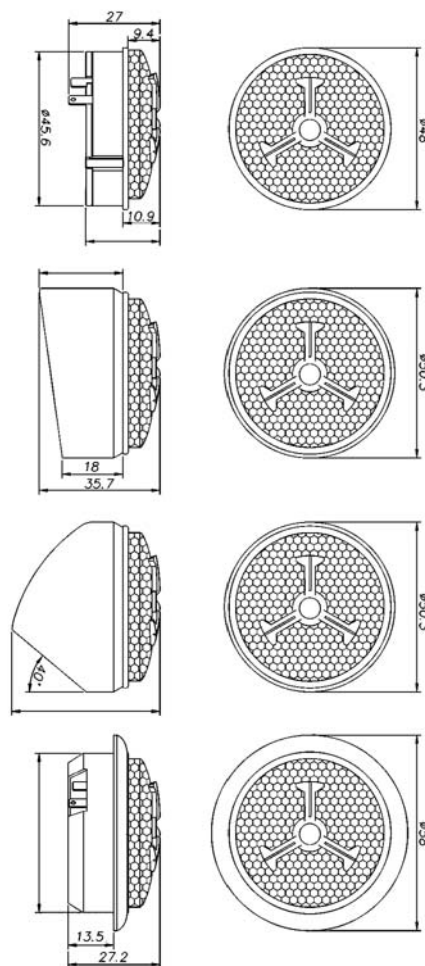


TWEETER

SPL 25n

- * Doppio diaframma concentrico (brevettato), permette una dispersione polare ampia e dettagliata.
- * Guida d'onda centrale (brevettato), per linearizzare la risposta in frequenza.
- * Magnete al neodimio.
- * Filamento della bobina mobile formato da una treccia di rame ed alluminio per una elevatissima portata di corrente.

Frequency range	2.5 - 40 KHz
Equivalent volume, Vas	0.0085 L
Compliance, Cms	0.092 mm/N
Mechanical resistance, Rms	8.975 Kg/sec
Effective diaphragm/cone area, Sd	8.042 cm ²
Voice coil diameter	25.4 mm
Voice coil height	4.5 mm
Air gap height	1.5 mm
Nominal impedance	4 ohm
Voice coil resistance	3.32 ohm
Voice coil inductance	4.611 mH
Free air resonance, Fs	1215 Hz
Sensitivity, Spl (2.83V/1m)	92.1 dB
Force factor, Bxl	1.704 Tm
Moving mass, Md	0.157 g
Qms	1.133
Qes	1.596
Qts	0.663
Nominal power (IEC 268/5)	50 W
Short term max power (IEC 268/5)	180 W
Long term max power (IEC 268/5)	90 W
Magnet weight	5.4 g
Total weight of driver	87.4 g



TWEETER

SPL 25n

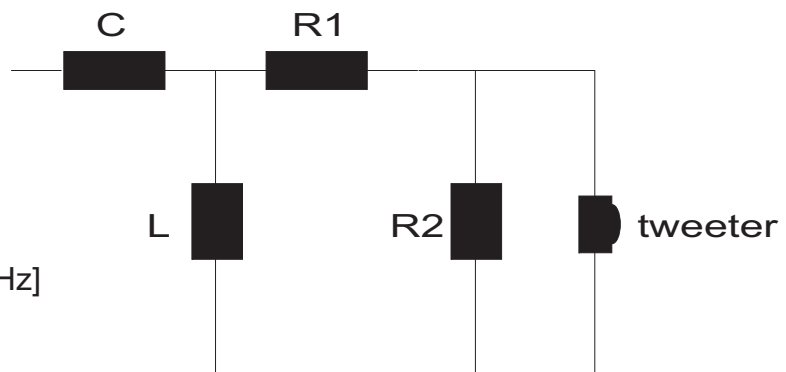
LEGENDA

C =condensatore [uF]

L =induttore [mH]

R =resistore [ohm]

Fc=frequenza di taglio [Hz]



Crossover 12dB/oct. Butterworth

Fc=1500	C=25.5	L= 0.45
Fc=2000	C=18.3	L= 0.33
Fc=2500	C=15	L= 0.27
Fc=3000	C=12.2	L= 0.22
Fc=3500	C=10	L= 0.19
Fc=4000	C= 9.2	L= 0.16
Fc=4500	C= 8.2	L= 0.15
Fc=5000	C= 7.8	L= 0.14

Attenuatore

1dB	R1=0.33	R2=22
2dB	R1=0.68	R2=10
3dB	R1=0.82	R2= 6.8
4dB	R1=1	R2= 5.6
5dB	R1=1.33	R2= 3.3
6dB	R1=1.5	R2= 3.0
7dB	R1=1.68	R2= 2.2
8dB	R1=1.82	R2= 1.82



E.B. ACOUSTIC & ELECTRONIC RESEARCH S.R.L.

Via S. Bartolomeo, 10 - 28047 OLEGGIO (NO) Italy Ph. 0039 0321 91430 - Fax 0039 0321 94411

www.ebacoustic.it