

FUSION[®]

FUSIONELECTRONICS.COM

MARINE UNI-Dock MS-UNIDOCK

THE MARINE UNI-Dock IS COMPATIBLE WITH THE FOLLOWING FUSION MARINE STEREOs: MS-AV700, MS-AV700i, MS-IP700i AND MS-RA205

The UNI-Dock is designed to offer water resistant security and charging for your smartphone. Engineered to cater to the smallest and some of the largest smartphones/media players on the market.

Included are 3 adaptor cables which support Apple 30-pin connector iPhones and iPods, Lightning connector iPhones and iPods as well as Android devices supporting Media Transfer Protocol (MTP) with Micro-USB connectors.

USB FLASH drives may be connected directly to the internal USB port. Devices must be formatted as FAT32 or NTFS to ensure playback of your music files.

DEVICE ADAPTOR CABLES

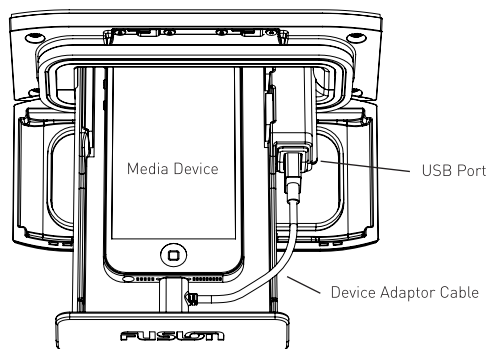
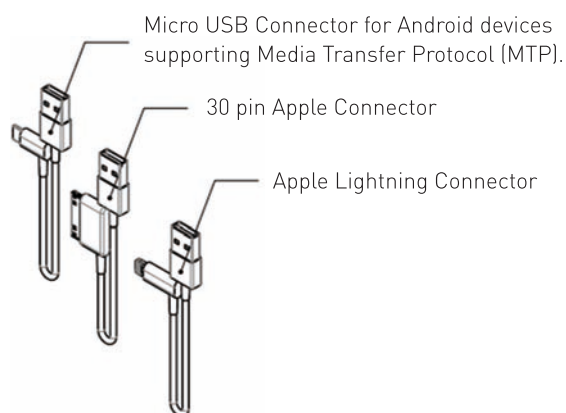


fig 1

RECORD YOUR PURCHASE DETAILS HERE:

(or register online at www.fusionelectronics.com)

SERIAL NUMBER

DATE OF PURCHASE

AFFIX RECEIPT HERE

CONTENT OF BOX

UNI-Dock with 2 metre (6 1/2 ft) USB ext. Cable
 USB Type-A to Micro-USB lead
 USB Type-A to Apple 30-pin
 USB Type-A to Apple Lightning
 Mounting kit (screws, gasket)
 Quick Start Guide
 Mounting Template
 Warranty

MEDIA DEVICES SUPPORTED

A range of iPhones, iPods and Android devices are supported. Please refer to www.fusionelectronics.com for information regarding media device compatibility.

SOFTWARE UPGRADE

Your FUSION stereo may require a software upgrade to support MTP playback functionality. Refer to www.fusionelectronics.com for software version requirements.

IMPORTANT NOTE

ONLY PHONES AND DEVICES THAT FEATURE BOTTOM MOUNTED CONNECTORS ARE SUPPORTED. DEVICES WITH SIDE CONNECTORS ARE NOT SUPPORTED.

MEDIA DEVICE SIZE LIMITS

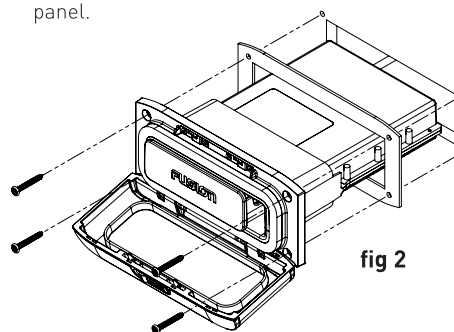
	L (mm/ inches)	W (mm/ inches)	H (mm/ inches)
Maximum Device Size	141 mm, 5 -9/16"	71 mm, 2 -3/4"	13 mm, 1/2"

INSTALLATION

BULKHEAD MOUNT

Cut mounting hole as per supplied template.
 Fit mounting gasket.
 Attach the UNI-Dock to the bulkhead using the screws provided.
 Connect the UNI-Dock to the USB connector on the FUSION Stereo.

Important Note: The UNI-Dock requires a minimum mounting depth of 155 mm (6 1/8") behind the mounting panel.



FUSION

MS-UNIDOCK MOUNTING TEMPLATE

Warning! If this template is a print or a copy of the original ensure that the template is the correct scale using the dimension lines provided.

Waarschuwing! Als dit sjabloon een afdruk of een kopie van het oorspronkelijke sjabloon is, let er dan op dat het sjabloon de juiste schaal heeft aan de hand van de schaalverdeling.

Attention ! Si ce gabarit est une impression ou une copie de l'original, veillez à ce qu'il soit à la bonne échelle en utilisant les lignes de dimension fournies.

ACHTUNG! Wenn diese Schablone ein Ausdruck oder eine Kopie des Originals ist, stellen Sie anhand der bereitgestellten Maßlinien sicher, dass der Maßstab der Schablone korrekt ist.

Avvertenza! Se questo modello è uno stampato o una copia dell'originale, assicurarsi che sia della scala corretta tramite le apposite linee di dimensione.

Advertencia! Si este modelo es una impresión o una copia del original, asegúrese de que el modelo sea de la escala correcta utilizando las líneas de dimensión suministradas.

