

# GLADEN<sup>®</sup>

GERMAN TECHNOLOGY

## RS 12

### Speaker Specifications

Power	Pe	<b>400 / 600</b>	RMS/Nom
DC resistance	Rdc	<b>3,2</b>	Ω
Nominal impedance	ZN	<b>4</b>	Ω
Resonance frequency	fs	<b>26,3</b>	HZ
Voice coil diameter		<b>2,5</b>	inch

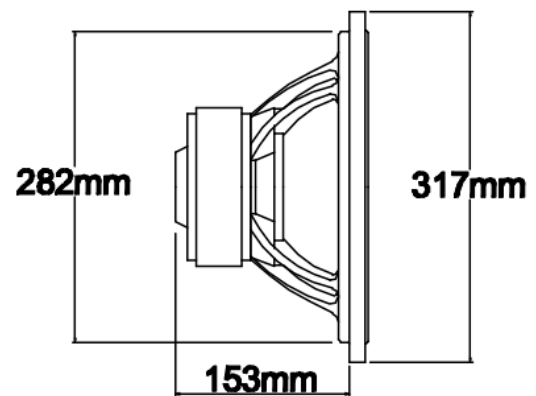
Mechanical Q factor	Qms	<b>6,03</b>
Electrical Q factor	Qes	<b>0,43</b>
Total Q factor	Qts	<b>0,40</b>

Moving mass	Mms	<b>143,8</b>	g
Effective piston area	Sd	<b>490</b>	cm <sup>2</sup>
Mechanical resistance	Rms	<b>3,9</b>	Kg/s
Compliance	Cms	<b>0,26</b>	mm/N
Force factor	BL	<b>12,8</b>	Tm
Equivalent air volume	Vas	<b>105,5</b>	dm <sup>3</sup>
SPL 2,83V/1m		<b>91,3</b>	dB



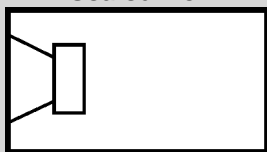
### Diameter

External diameter	<b>317 mm / 12,48 inch</b>
Installation diameter	<b>282 mm / 11,1 inch</b>
Installation depth	<b>153 mm / 6,02 inch</b>
Magnet diameter	<b>150 mm / 5,91 inch</b>



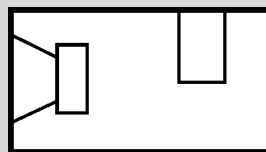
### Recommended Boxes (including Ports and Drivers)

#### Sealed Box



V: **32 l**

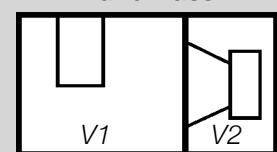
#### Vented Box



V: **48 l**

d: 100 / 3,94 mm / inch  
l: 200 / 7,87 mm / inch

#### Band Pass



V1: **30 l**      V2: **20 l**

d: 125 mm / 4,92 inch  
l: 190 mm / 7,47 inch