

SQX 12

Speaker Specifications

Power	Pe	600 / 900	RMS/Nom
DC resistance	Rdc	3,2	Ω
Nominal impedance	ZN	4	Ω
Resonance frequency	fs	36,7	HZ
Voice coil diameter		3	inch
Xmax	+ -	14	mm

Mechanical Q factor	Qms	5,07
Electrical Q factor	Qes	0,44
Total Q factor	Qts	0,40

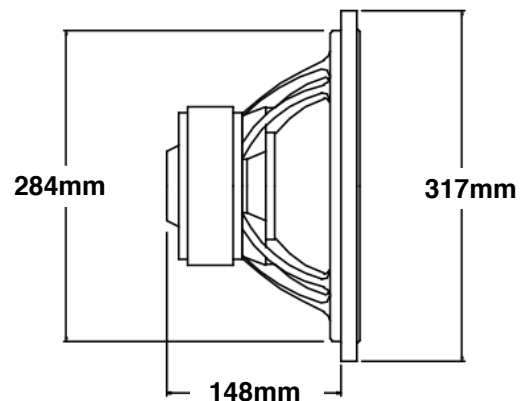
Moving mass	Mms	167,7	g
Effective piston area	Sd	490	cm ²
Mechanical resistance	Rms	7,6	Kg/s
Compliance	Cms	0,11	mm/N
Force factor	BL	16,8	Tm
Equivalent air volume	Vas	40,9	dm ³
SPL 2,83V/1m		91,5	dB

Cone: Paper	Spider: Nomex
Surround: Foam	Coil former: Aluminium
Basket: Aluminium	Dust cap: PP

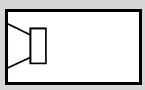
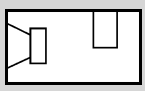
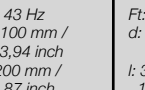


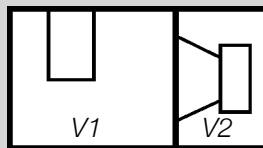
Diameter

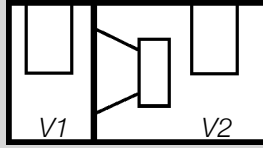
External diameter	317 mm / 12,48 inch
Installation diameter	284 mm / 11,18 inch
Installation depth	148 mm / 5,82 inch
Magnet diameter	185 mm / 7,28 inch



Recommended Boxes (including Ports and Drivers)

Sealed Box		V: 32 l
		V: 50 l Ft: 43 Hz d: 100 mm / 3,94 inch l: 200 mm / 7,87 inch
Vented Box		V: 65 l Ft: 43 Hz d: 2 x 100 mm / 3,94 mm inch l: 300 mm / 11,81 inch

Band Pass	
	
V1: 40 l	V2: 25 l
Fm: 60 Hz d: 2 x 100 mm / 3,94 inch l: 250 mm / 9,84 inch	

Double Vented Bandpass	
	
V1: 25 l	V2: 52 l
F1: 75 Hz	F2: 47 Hz
d: 2 x 100 mm / 3,94 inch	d: 100 mm / 3,94 inch
l: 300 mm / 11,81 inch	l: 300 mm / 11,81 inch