

# 6 W3 Be

6.5" Utopia Be® woofer



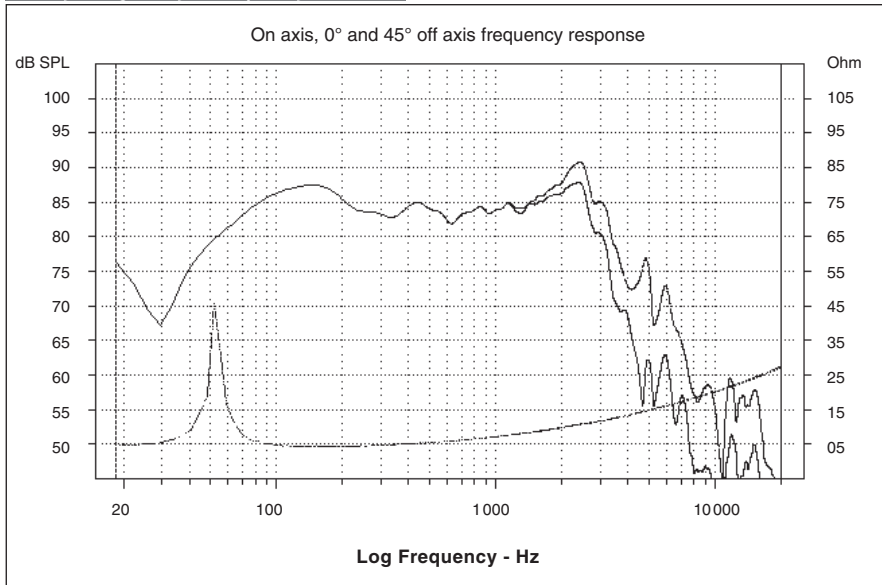
- W cone
- Neodymium magnet
- Zamak basket



## Specifications

Nominal power	100 W	
Maximum power	200 W	
Sensitivity (2.83V/m)	89 dB	
Cone	W	
Surround	Rubber	
Nom. impedance	4 ohm	
DC resistance	3.22 ohm	
VC diameter	40 mm	1.57 in
VC height	17 mm	0.7 in
Former	Kapton®	
Layers	2	
Wire	Copper	
Inductance	0.69 mH	
Xmax	5.5 mm	
Magnet	Neodymium	
Flux density	0.8 T	
Gap height	6 mm	0.25 in
Net weight	0.9 kg	2 lbs

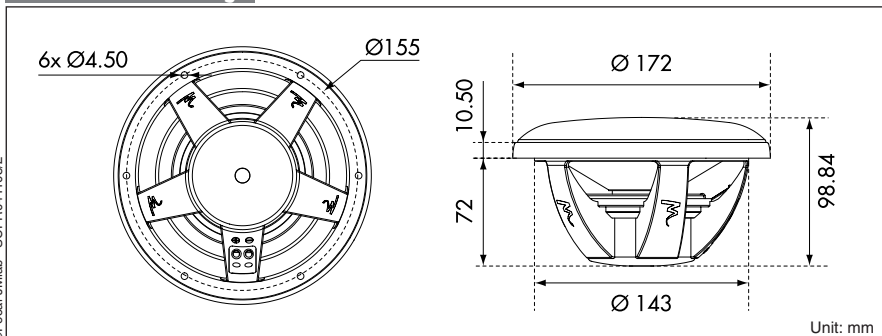
## Frequency Response / Impedance



## Parameters

Fs	55.28 Hz
Vas	9.92 l
Qts	0.765
Qes	0.82
Qms	11.42
Re	3.22 ohm
Sd	132.73 cm <sup>2</sup>
Cas	7.07E-08 m <sup>5</sup> /N
Mas	117.32 kg/m <sup>4</sup>
Ras	3568.36 ohm.ac
Cms	4.01E-04 m/N
Mms	20.67 g
Rms	0.629 kg/s
Ces	733.18 mF
Les	11.31 mH
Res	44.84 ohm
BI	5.31 N/A
SPL	84.95 dB/W/m

## Mechanical Drawing



Focal® is a trademark of Focal-JMLab®

# 3 W2 Be

## 3" Utopia Be® midrange



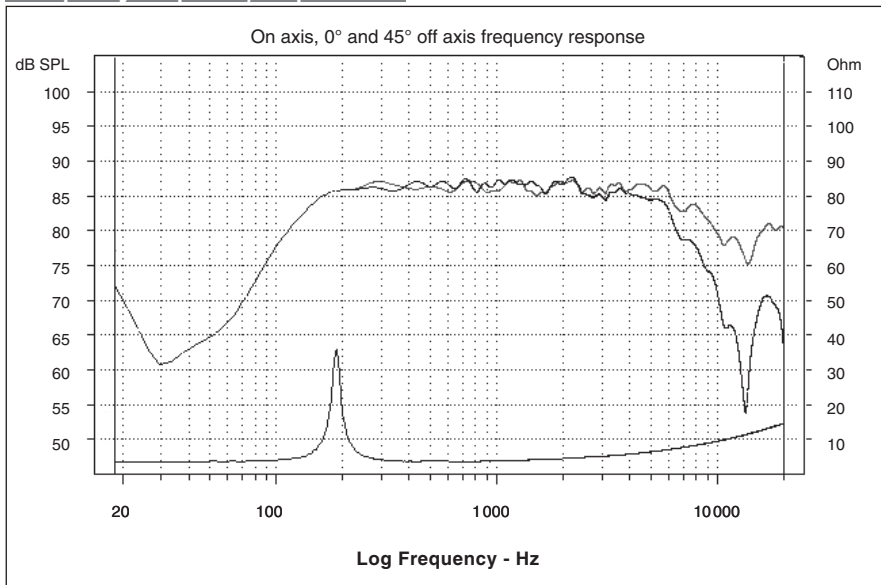
- W cone
- Neodymium magnet
- Zamak basket



### Specifications

Nominal power	50 W	
Maximum power	100 W	
Sensitivity (2.83V/m)	88 dB	
Cone	W	
Surround	Rubber	
Nom. impedance	4 ohm	
DC resistance	3.37 ohm	
VC diameter	25 mm	1 in
VC height	8.5 mm	
Former	Kapton®	
Layers	2	
Wire	Aluminum	
Inductance	0.11 mH	
Xmax	2 mm	0.08 in
Magnet	Neodymium	
Flux density	1.2 T	
Gap height	4 mm	0.16 in
Net weight	0.18 kg	0.4 lb

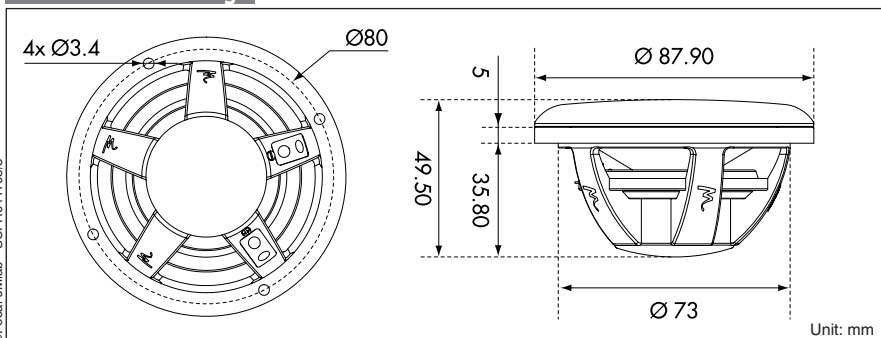
### Frequency Response / Impedance



### Parameters

Fs	188.74 Hz
Vas	0.31 l
Qts	0.729
Qes	0.770
Qms	13.790
Re	3.37 ohm
Sd	30.19 cm <sup>2</sup>
Cas	2.18E-09 m <sup>5</sup> /N
Mas	325.84 kg/m <sup>4</sup>
Ras	28021.38 ohm.ac
Cms	2.39E-04 m/N
Mms	2.97 g
Rms	0.255 kg/s
Ces	192.67 mF
Les	3.69 mH
Res	60.35 ohm
BI	3.93 N/A
SPL	86.12 dB/W/m

### Mechanical Drawing



Focal® is a trademark of Focal-JMLab®