

Installation assistance available at:

RFTECH

www.rockfordfosgate.com/rftech

P R I M E TM



2CH AMPLIFIERS

R125-2



Total RMS Power

Birth Date: _____

Serial Number: _____

Date of Purchase: _____

600 South Rockford Drive • Tempe, Arizona 85281 United States
Direct: (480) 967-3565 • Toll Free: (800) 669-9899

ROCKFORDFOSGATE.COM



Installation & Operation

Introduction

Dear Customer,

Congratulations on your purchase of the world's finest brand of car audio amplifiers. At Rockford Fosgate we are fanatics about musical reproduction at its best, and we are pleased you chose our product. Through years of engineering expertise, hand craftsmanship and critical testing procedures, we have created a wide range of products that reproduce music with all the clarity and richness you deserve.

For maximum performance we recommend you have your new Rockford Fosgate product installed by an Authorized Rockford Fosgate Dealer, as we provide specialized training through Rockford Technical Training Institute (RTTI). Please read your warranty and retain your receipt and original carton for possible future use.

Great product and competent installations are only a piece of the puzzle when it comes to your system. Make sure that your installer is using 100% authentic installation accessories from Rockford Fosgate in your installation. Rockford Fosgate has everything from RCA cables and speaker wire to power wire and battery connectors. Insist on it! After all, your new system deserves nothing but the best.

To add the finishing touch to your new Rockford Fosgate image order your Rockford accessories, which include everything from T-shirts to jackets.

Visit our web site for the latest information on all Rockford products;

www.rockfordfosgate.com

or, in the U.S. call 1-800-669-9899 or FAX 1-800-398-3985. For all other countries, call +001-480-967-3565 or FAX +001-480-966-3983.

Table of Content

2	Introduction
3	Specifications
4-5	Design Features
6-9	Installation
	Installation Considerations
	Mounting Locations
	Battery and Charging
	Wiring the System
10	Operation
	Adjusting Gain / Crossover
	Punch Bass / Remote Punch Level Control
11	Troubleshooting
12-16	Additional Languages
	French
	Spanish
	German
	Italian
20	Limited Warranty Information

If, after reading your manual, you still have questions regarding this product, we recommend that you see your Rockford Fosgate dealer. If you need further assistance, you can call us direct at **1-800-669-9899**. Be sure to have your serial number, model number and date of purchase available when you call.

PRACTICE SAFE SOUND

Continuous exposure to sound pressure levels over 100dB may cause permanent hearing loss. High powered auto sound systems may produce sound pressure levels well over 130dB. Use common sense and practice safe sound.

PRATIQUEZ UNE ÉCOUTE SANS RISQUES

Une exposition continue à des niveaux de pression acoustique supérieurs à 100 dB peut causer une perte d'acuité auditive permanente. Les systèmes audio de forte puissance pour auto peuvent produire des niveaux de pression acoustique bien au-delà de 130 dB. Faites preuve de bon sens et pratiquez une écoute sans risques

PRACTIQUE EL SONIDO SEGURO

El contacto continuo con niveles de presión de sonido superiores a 100 dB puede causar la pérdida permanente de la audición. Los sistemas de sonido de alta potencia para automóviles pueden producir niveles de presión de sonido superiores a los 130 dB. Aplique el sentido común y practique el sonido seguro.

PRAKTIZIEREN SIE SICHEREN SOUND

Fortgesetzte Geräuschdruckpegel von über 100 dB können beim Menschen zu permanentem Hörverlust führen. Leistungsstarke Autosoundsysteme können Geräuschdruckpegel erzeugen, die weit über 130 dB liegen. Bitte wenden Sie gesunden Menschenverstand an und praktizieren Sie sicheren Sound.

OSSERVATE LE REGOLE DEL SUONO SENZA PERICOLI

La costante esposizione a livelli di pressione acustica al di sopra dei 100dB possono causare la perdita permanente dell'udito. I sistemi audio ad alta potenza possono produrre livelli di pressione acustica ben superiori ai 130dB. Si consiglia il buon senso e l'osservanza delle regole del suono senza pericoli

Safety

This symbol with "WARNING" is intended to alert the user to the presence of important instructions. Failure to heed the instructions will result in severe injury or death.



This symbol with "CAUTION" is intended to alert the user to the presence of important instructions. Failure to heed the instructions can result in injury or unit damage.



- To prevent injury and damage to the unit, please read and follow the instructions in this manual. We want you to enjoy this system, not get a headache.
- If you feel unsure about installing this system yourself, have it installed by a qualified Rockford Fosgate technician.
- Before installation, disconnect the battery negative (-) terminal to prevent damage to the unit, fire and/or possible injury.



Model **R125-2**

Rated Power	40x2 @ 4 ohms
*Continuous Power Rating (RMS) Measured @ 14.4V	65x2 @ 2 ohms 125x1 @ 4ohms(bridged)
Crossover Slope	12dB/Oct
Crossover Frequency	HP Fixed 80Hz LP Variable 50Hz - 250Hz
Punch Bass	Variable 0 - +12dB @ 45Hz
Operating Voltage	9 - 16V DC
Frequency Response	20Hz - 20kHz ± 1dB
Battery Fuse Rating (not supplied)	25A
THD+N @ Rated Power	<1.0 @ 4 ohms
Input Sensitivity	150mV - 8V
Input Impedance	20k
S/N Ratio CEA 2006	>70
S/N Ratio @ Rated Power	>90
Channel Separation	>50
Common Mode Rejection Ratio	>55
Damping Factor	>200
Dimensions (LxWxH)	7.7" x 7.7" x 2.4" (19.6cm x 19.6cm x 6.1cm)



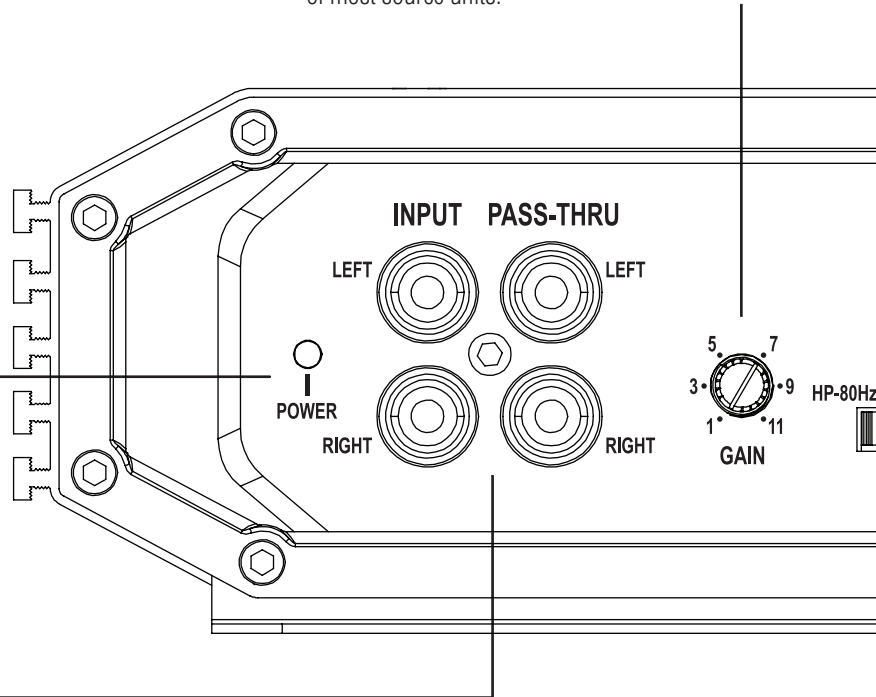
CEA 2006

Power ratings on Rockford Fosgate amplifiers conform to CEA-2006 industry standards. These guidelines mean your amplifier's output power ratings are REAL POWER numbers, not inflated marketing ratings.

Design Features

Gain Control

The input gain control is preset to match the output of most source units.

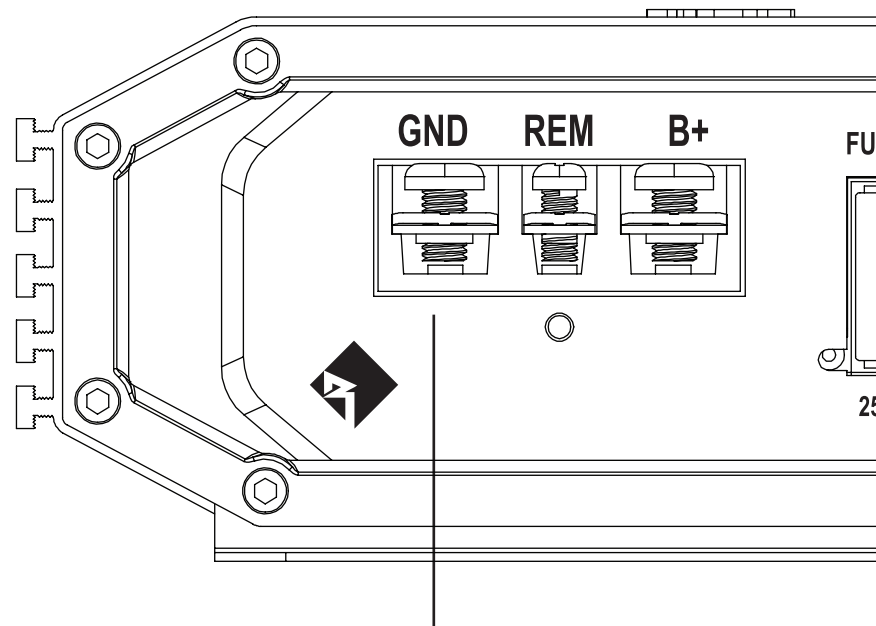


Power LED

Power LED illuminates blue when the unit is turned on.

RCA Input/Pass-Thru Jacks

The industry standard RCA jacks provide an easy connection for signal level input. They are nickel-plated to resist the signal degradation caused by corrosion. The Pass-Thru provides a convenient source for daisy-chaining an additional amplifier without running an extra set of RCA cables from the front of the vehicle to the rear amplifier location.



Power/REM Terminals

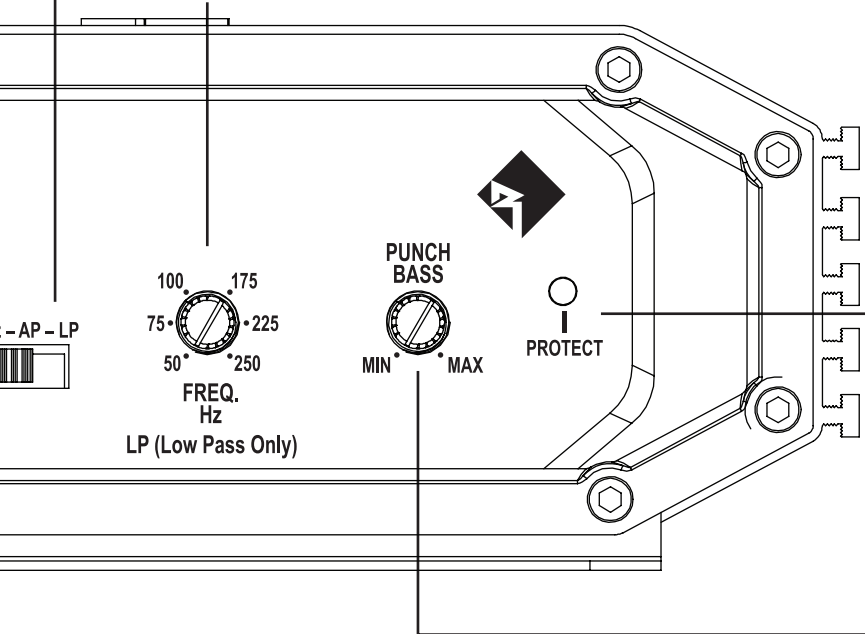
The power and ground are nickel-plated clamp wire connectors and will accommodate 4 AWG #8 (up to 1/2") spade or ring style connectors. The nickel-plated clamp wire connector and will accommodate 8 AWG #8 (up to 3/8") spade or ring style connectors. (This terminal is used to remotely turn-on and turn-off the amplifier when +12V DC is applied.)

Crossover Switch

Selectable switch for 80Hz High-Pass (HP), All Pass (AP), or Low-Pass (LP) operation.

Variable Crossover

Is a built-in 12dB/octave Butterworth filter with a crossover point variable from 50Hz to 250Hz.

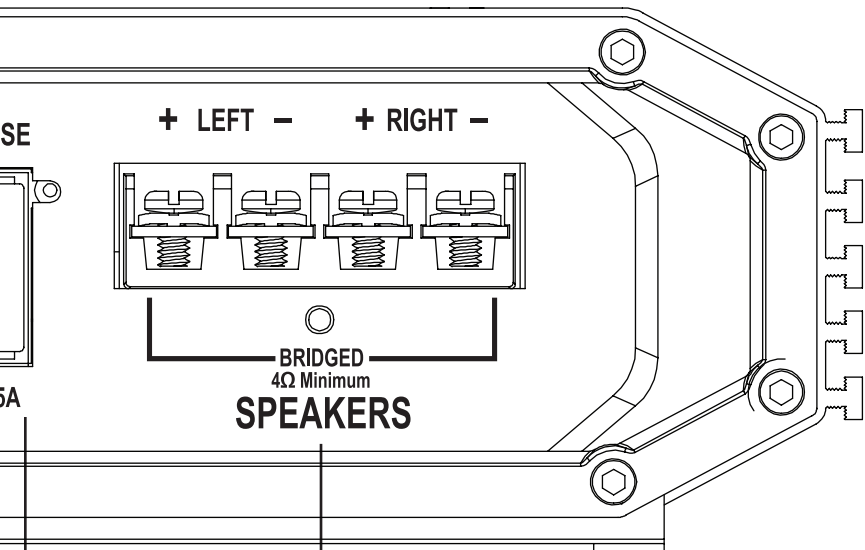


Protect LED

Protect LED illuminates red if a short circuit or too low of an impedance is detected at the speaker connections. The amplifier will automatically shut down if this occurs.

Punch Bass

This is an adjustable Bass level control centered at 45Hz @ 12dB/octave.



Speaker Terminals

The heavy duty, nickel-plated clamp wire connectors (+ and -) will accommodate 8 AWG #8 (up to 3/8") spade or ring style connectors.

Fuses

These ATC fuses are easily accessible in case of failure. Always replace fuses with same type and rating. See Specifications for fuse ratings.

Installation

Contents


- R125-2 - Prime 2 Channel Amplifier
- Mounting Hardware
- Installation & Operation Manual


Installation Considerations

The following is a list of tools needed for installation:

- Fuse-holder and fuse. (See specifications for fuse rating)
- Volt/Ohm Meter
- Wire strippers
- Wire crimpers
- Wire cutters
- #2 Phillips screwdriver
- Battery post wrench
- Hand held drill w/assorted bits
- Assorted connectors
- Adequate Length—Red PowerWire
- Adequate Length—Remote Turn-onWire
- Adequate Length—Black GroundingWire

This section focuses on some of the vehicle considerations for installing your new amplifier. Pre-planning your system layout and best wiring routes will save installation time. When deciding on the layout of your new system, be sure that each component will be easily accessible for making adjustments.

 **CAUTION** If you feel unsure about installing this system yourself, have it installed by a qualified technician.

 **CAUTION** Before installation, disconnect the battery negative (-) terminal to prevent damage to the unit, fire and/or possible injury.

Before beginning any installation, follow these simple rules:

1. Be sure to carefully read and understand the instructions before attempting to install the unit.
2. For safety, disconnect the negative lead from the battery prior to beginning the installation.
3. For easier assembly, we suggest you run all wires prior to mounting your unit in place.
4. Route all of the RCA cables close together and away from any high current wires.
5. Use high quality connectors for a reliable installation and to minimize signal or power loss.
6. Think before you drill! Be careful not to cut or drill into gas tanks, fuel lines, brake or hydraulic lines, vacuum lines or electrical wiring when

working on any vehicle.

7. Never run wires underneath the vehicle. Running the wires inside the vehicle provides the best protection.
8. Avoid running wires over or through sharp edges. Use rubber or plastic grommets to protect any wires routed through metal, especially the firewall.
9. ALWAYS protect the battery and electrical system from damage with proper fusing. Install the appropriate fuse holder and fuse on the +12V power wire within 18" (45.7 cm) of the battery terminal.
10. When grounding to the chassis of the vehicle, scrape all paint from the metal to ensure a good, clean ground connection. Grounding connections should be as short as possible and always be connected to metal that is welded to the main body, or chassis, of the vehicle. Seatbelt bolts should never be used for connecting to ground.

Mounting Locations

Engine Compartment

Never mount this unit in the engine compartment. Mounting the unit in the engine compartment will void your warranty.

Trunk Mounting

Mounting the amplifier vertically or inverted will provide adequate cooling of the amplifier. Mounting the amplifier on the floor of the trunk will provide the best cooling of the amplifier.

Passenger Compartment Mounting


Mounting the amplifier in the passenger compartment will work as long as you provide a sufficient amount of air for the amplifier to cool itself. If you are going to mount the amplifier under the seat of the vehicle, you must have at least 1" (2.54cm) of air gap around the amplifier's heatsink.

Mounting the amplifier with less than 1" (2.54cm) of air gap around the amplifier's heatsink in the passenger compartment will not provide proper cooling and will severely affect the performance of the amplifier and is strongly not recommended.

Battery and Charging

Amplifiers will put an increased load on the vehicle's battery and charging system. We recommend checking your alternator and battery condition to ensure that the electrical system has enough capacity to handle the increased load of your stereo system. Stock electrical systems which are in good condition should be able to handle the extra load of any Prime Series amplifier without problems, although battery and alternator life can be reduced slightly. To maximize the performance of your amplifier, we suggest the use of a heavy duty battery and an energy storage capacitor.

Wiring the System

 **CAUTION** If you do not feel comfortable with wiring your new unit, please see your local Authorized Rockford Fosgate Dealer for installation.

CAUTION

Before installation, disconnect the battery negative (-) terminal to prevent damage to the unit, fire and/or possible injury.

CAUTION

Avoid running power wires near the low level input cables, antenna, power leads, sensitive equipment or harnesses. The power wires carry substantial current and could induce noise into the audio system.

1. Plan the wire routing. Keep RCA cables close together but isolated from the amplifier's power cables and any high power auto accessories, especially electric motors. This is done to prevent coupling the noise from radiated electrical fields into the audio signal. When feeding the wires through the firewall or any metal barrier, protect them with plastic or rubber grommets to prevent short circuits. Leave the wires long at this point to adjust for a precise fit at a later time.
2. Prepare the RED wire (power cable) for attachment to the amplifier by stripping 3/8" of insulation from the end of the wire. Crimp the bared wire into a fork or ring style connector and attach to the B+ terminal. Tighten the screw to secure the cable in place.

NOTE: The B+ cable MUST be fused 18" or less from the vehicle's battery. Install the fuseholder under the hood and ensure connections are water tight.

3. Trim the RED wire (power cable) within 18" of the battery and splice in a inline fuse holder (not supplied). See Specifications for the rating of the fuse to be used. DO NOT install the fuse at this time.
4. Strip 1/2" from the battery end of the power cable and crimp an appropriate size ring terminal to the cable. Use the ring terminal to connect to the battery positive terminal.
5. Prepare the BLACK wire (Ground cable) for attachment to the amplifier by stripping 3/8" of insulation from the end of the wire. Crimp the bared wire into a fork or ring style connector and attach to the GROUND terminal. Tighten the screw to secure the cable in place. Prepare the chassis ground by scraping any paint from the metal surface and thoroughly clean the area of all dirt and grease. Strip the other end of the wire and attach a ring connector. Fasten the cable to the chassis using a non-anodized screw and a star washer.

NOTE: Keep the length of the BLACK wire (Ground) as short as possible. Always less than 30".

6. Prepare the Remote turn-on wire for attachment to the amplifier by stripping 3/8" of insulation from the end of the wire. Crimp the bared wire into a fork or ring style connector and attach to the REMOTE terminal. Tighten the screw to secure the wire in place. Connect the other end of the Remote wire to a switched 12 volt positive source. The switched voltage is usually taken from the source unit's remote amp on lead. If the source unit does not have this output available, the recommended solution is to wire a mechanical switch in line with a 12 volt source to activate the amplifier.

7. Securely mount the amplifier to the vehicle or amp rack. Be careful not to mount the amplifier on cardboard or plastic panels. Doing so may enable the screws to pull out from the panel due to road vibration or sudden vehicle stops.

8. Connect from source signal by plugging the RCA cables into the input jacks at the amplifier.

CAUTION

Always ensure power is off or disconnected at the amplifier before connecting RCA cables. Failure to do so may cause damage to the amplifier and/or connected components.

9. Connect the speakers. Strip the speaker wires 3/8", crimp the bared wire into a fork or ring style connectors and attach to the speaker terminals. Tighten the screw to secure into place. Be sure to maintain proper speaker polarity. DO NOT chassis ground any of the speaker leads as unstable operation may result.
10. Perform a final check of the completed system wiring to ensure that all connections are accurate. Check all power and ground connections for frayed wires and loose connections which could cause problems. Install inline fuse near battery connection.

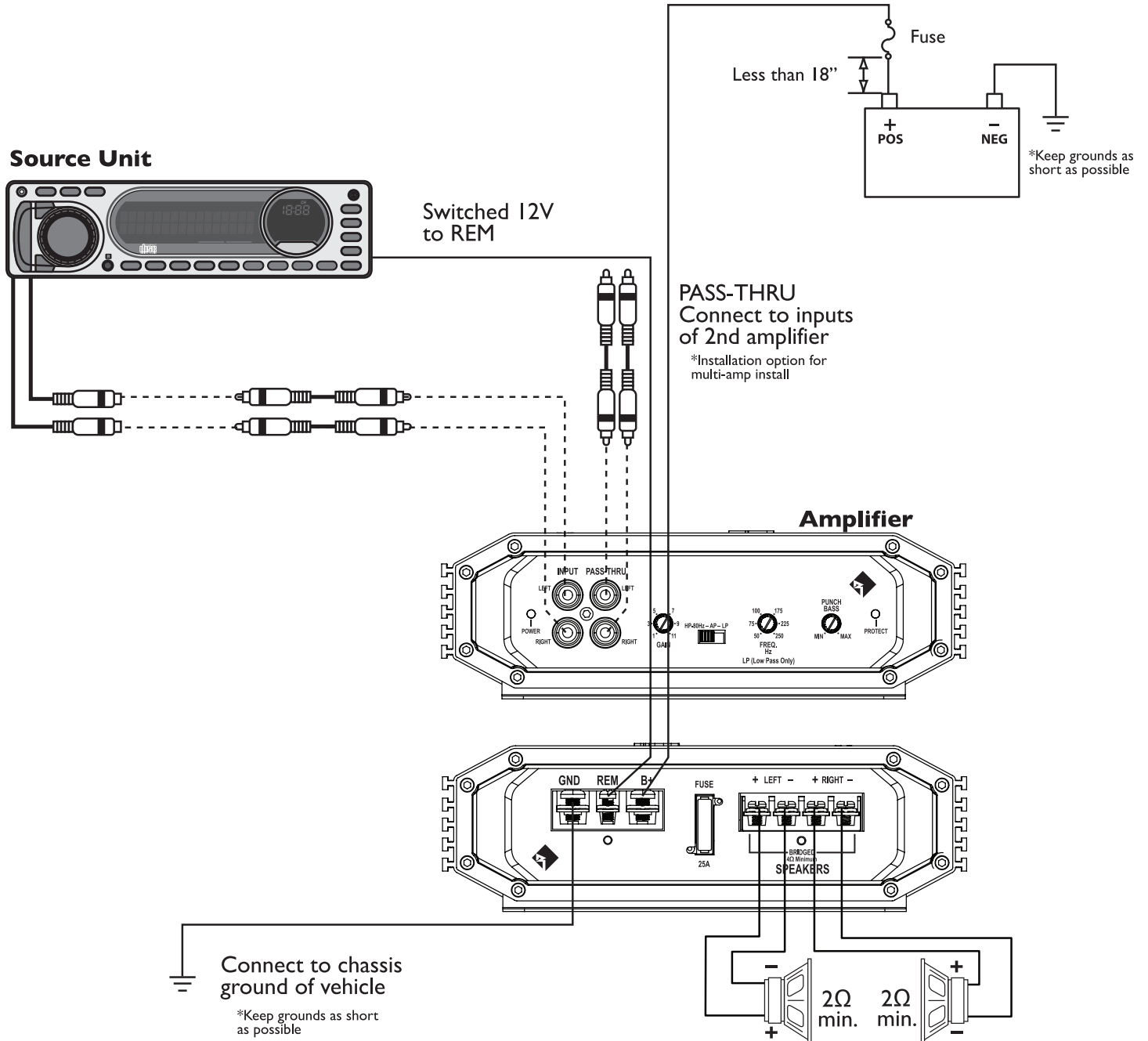
NOTE: Follow the diagrams for proper signal polarity.

CAUTION

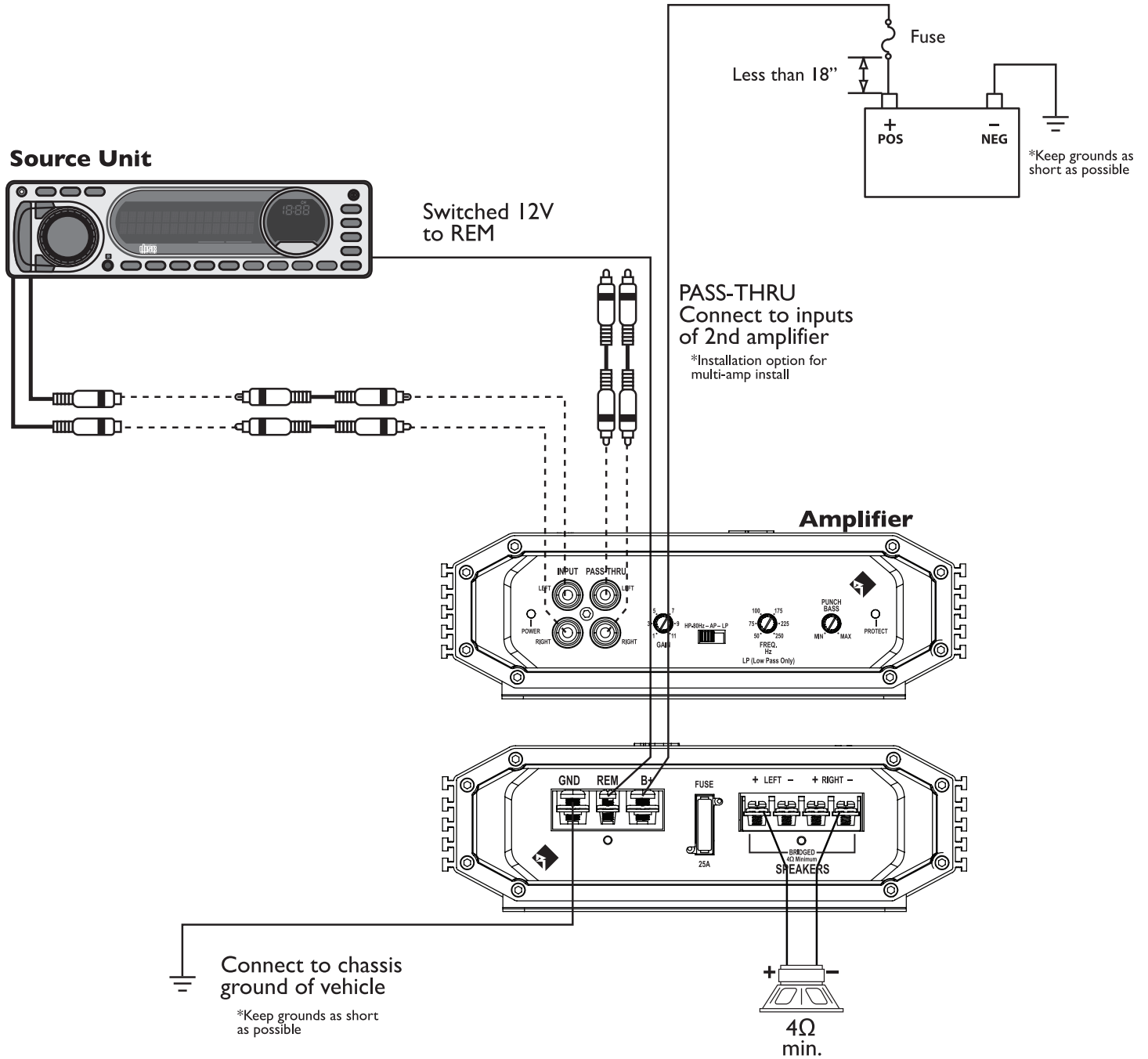
This amplifier is not recommended for impedance loads below 2-Ohms stereo and 4-Ohms bridged.

Installation

Stereo Wiring



Bridged Wiring



Operation

Adjusting Gain

1. Turn amplifier gains to minimum (counter-clockwise).
2. Turn the source unit volume up to 7/8 maximum (or when distortion is just inaudible).
3. Slowly increase amplifier gain control until adequate volume is achieved.

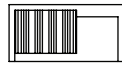
NOTE: Best signal to noise and dynamic range are realized with gain set to minimum. For a more in depth setting procedure, contact Rockford Technical Support.

CAUTION Avoid setting amplifier gain high as noise and distortion will greatly increase.

Adjusting Crossover Frequency

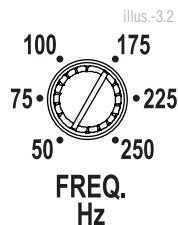
Placing the crossover switch in the HP position sets the amplifier to the 80hz High Pass mode, enabling frequencies above the cut-off point to pass.

illus.-3.1
HP-80Hz – AP – LP



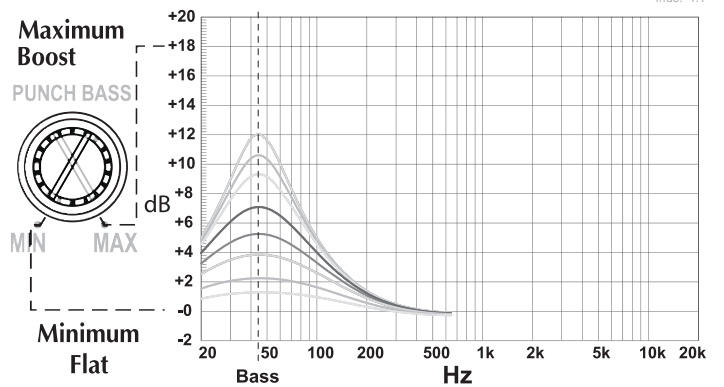
Placing the crossover switch in the AP position sets the amplifier to the All Pass mode, preventing any crossover adjustment, allowing all frequencies to pass.

Placing the crossover switch in the LP position sets the amplifier to the Low Pass mode, enabling frequencies below the cut-off point to pass, adjustable between 50-250Hz. Turn the crossover adjustment knob all the way down. With the system playing, turn the crossover adjustment knob up slowly until the desired crossover point is achieved. A good place to start is at about 80Hz.



Punch Bass

This works along with the crossover switch on the amplifier. When set to Low-Pass (LP) operation, this is a variable Bass Boost. Set this to your personal preference while listening to the system.



CAUTION Over excursion and subsequent damage may occur at high levels of boost.

Remote Punch Level Control

When connected, the “Gain Control” is linked and allows you to remotely control the output level of the amplifier from the dash or center console.

Troubleshooting

NOTE: If you are having problems after installation follow the Troubleshooting procedures below.

Step 1. Check Amplifier for proper connections. Verify that POWER light is on. If POWER light is on skip to Step 3, if not continue.

1. Check in-line fuse on battery positive cable. Replace if necessary.
2. Check fuse(s) on amplifier. Replace if necessary.
3. Verify that Ground connection is connected to clean metal on the vehicle's chassis. Repair/replace if necessary.
4. Verify there is 9 to 14.4 Volts present at the positive battery and remote turn-on cable. Verify quality connections for both cables at amplifier, stereo, and battery/fuseholder. Repair/replace if necessary.

Step 2. Protect light is on.

1. If the Protect light is on, this is a sign of a possible short in the speaker connections. Check for proper speaker connections and use a volt/ohm meter to check for possible shorts in the speaker wiring. Too low of a speaker impedance may also cause Protect to light.

Step 3. Check Amplifier for audio output.

1. Verify good RCA input connections at stereo and amplifier. Check entire length of cables for kinks, splices, etc. Test RCA inputs for AC volts with stereo on. Repair/replace if necessary.
2. Disconnect RCA input from amplifier. Connect RCA input from test stereo directly to amplifier input.

Step 4. Check Amplifier if you experience Turn-on Pop.

1. Disconnect input signal to amplifier and turn amplifier on and off.
2. If the noise is eliminated, connect the REMOTE lead of amplifier to source unit with a delay turn-on module.

OR

1. Use a different 12 Volt source for REMOTE lead of amplifier.

Step 5. Check Amplifier if you experience excess Engine Noise.

1. Route all signal carrying wires (RCA, Speaker cables) away from power and ground wires.

OR

1. Bypass any and all electrical components between the stereo and the amplifier(s). Connect stereo directly to input of amplifier. If noise goes away the unit being bypassed is the cause of the noise.

OR

1. Remove existing ground wires for all electrical components. Reground wires to different locations. Verify that grounding location is clean, shiny metal free of paint, rust etc.

OR

1. Add secondary ground cable from negative battery terminal to the chassis metal or engine block of vehicle.

OR

1. Have alternator and battery load tested by your mechanic. Verify good working order of vehicle electrical system including distributor, spark plugs, spark plug wires, voltage regulator etc.

Particularités Techniques (illus.-1.1)

DEL d'alimentation / DEL de protection

Cette DEL bleue s'illumine lorsque l'appareil est allumé. Cette DEL jaune s'illumine si un court-circuit ou une impédance trop basse est détecté au niveau des connexions de haut-parleur. L'ampli s'éteint automatiquement si cela se produit.

Extension ampli RCA

L'extension ampli permet de connecter en guirlande un second ampli en évitant d'acheminer des câbles RCA supplémentaires de l'avant du véhicule vers l'emplacement de l'ampli arrière.

Prises d'entrée RCA

Les prises RCA de norme industrielle permettent une connexion facile pour les entrées de signaux. Ils sont plaqués de nickelés pour résister à la détérioration de signal due à l'effet de la corrosion.

Commande de gain

La commande de gain d'entrée est pré-réglée de manière à correspondre à la sortie de la plupart des unités source. Elle peut être réglée en fonction d'une variété d'unités source.

Commutateur de filtre passif

Commutateur sélectable permettant de sélectionner les modes 80Hz passe-haut (HP), passe-tout (AP) ou passe-bas (LP).

Filtre variable

Les amplificateurs sont dotés d'un filtre de Butterworth intégré de 12 dB/octave dont le point de fréquence varie entre 50 Hz et 250 Hz.

Punch Bass

Il s'agit d'un niveau réglable Bass contrôle centré à 45 Hz @ 12dB/octave.

à distance Niveau Punch

Lorsqu'il est connecté, le "gain" est liée et vous permet de contrôler à distance le niveau de sortie de l'amplificateur du tableau de bord ou la console centrale.

Bornes d'enceinte

Ces bornes (+ et -) à vis nickelées de haute qualité acceptent les connecteurs en anneau ou en fourche.

Bornes d'alimentation

Ces bornes d'alimentation (B+) et de masse (GND) à vis sont nickelées et acceptent les connecteurs en anneau ou en fourche.

Bornes de télécommande (REM)

Cette borne à vis est nickelée et accepte les connecteurs en anneau ou en fourche. Ce branchement sert à allumer et éteindre l'amplificateur à distance lorsqu'une tension de +12 V c.c. y est appliquée.

Fusibles

Ces fusibles ATC sont facilement accessibles en cas de panne. Utilisez toujours des fusibles de rechange de même type et de même calibre. Le calibre des fusibles est indiqué dans la partie caractéristiques techniques.

Considérations Concernant L'installation

Voici la liste d'outils requis pour l'installation :

- Porte-fusible et fusible. (Voir les spécifications concernant la capacité des fusibles)
- Voltmètre-ohmmètre
- Pince à dénuder
- Pince à sertir
- Coupe-fils
- Tournevis à embout cruciforme no 2
- Clé de borne de batterie
- Perceuse à main avec mèches assorties
- Tube thermorétractible de 1/8 po de diamètre
- Connecteurs assortis
- Longueur adéquate — Fil d'alimentation rouge
- Longueur adéquate — Fil d'allumage à distance
- Longueur adéquate — Fil de masse noir

REMARQUE: Nous recommandons l'utilisation d'un fil de 4 AWG pour les prises d'alimentation (B+) et de masse (GND).

Cette section traite de points concernant le véhicule dont il faut tenir compte pour l'installation de votre nouvel ampli. Vous sauvez du temps en planifiant à l'avance la disposition du système et du câblage. Assurez-vous, entre autres, que chaque composant du système est facilement accessible pour les réglages.

MISE EN GARDE : si vous vous sentez incapable d'installer l'appareil vous-même, confiez la tâche à un technicien qualifié.

MISE EN GARDE : avant d'entamer l'installation, déconnectez la broche négative (-) de la batterie pour éviter tout risque de blessures, d'incendie ou de dommages à l'appareil.

Avant de commencer l'installation, suivez ces règles toutes simples :

1. Prenez soin de bien lire et comprendre les instructions avant d'installer l'appareil.
2. Par mesure de sécurité, veuillez débrancher le fil négatif de la batterie avant de commencer l'installation.

3. Pour faciliter le montage, nous vous suggérons de dérouler tous les fils avant d'installer l'appareil.
4. Acheminez tous les câbles RCA de façon groupée, à l'écart des fils à courant élevé.
5. Utilisez des connecteurs de haute qualité pour assurer une installation fiable et minimiser la perte de signal ou de puissance.
6. Réfléchissez avant de percer quoique ce soit! Faites attention de ne pas couper ou percer le réservoir d'essence, les conduites de carburant, de frein, hydrauliques ou de dépression, ou le câblage électrique lorsque vous travaillez sur un véhicule.
7. Ne faites jamais passer les fils sous le véhicule. Il vaut mieux les installer à l'intérieur du véhicule pour assurer une meilleure protection.
8. Évitez de faire passer les fils par dessus ou à travers des bords tranchants. Tout fil acheminé à travers du métal, un pare-feu en particulier, doit être protégé avec des bagues en caoutchouc ou plastique.
9. Protégez TOUJOURS la batterie et le circuit électrique des dommages potentiels à l'aide de fusibles. Installez un porte-fusible et un fusible appropriés sur le câble d'alimentation de +12 V à moins de 45,7 cm de la borne de batterie.
10. Préparez la masse du châssis en grattant toute trace de peinture de la surface métallique afin d'assurer une bonne mise à la masse. Les connexions de masse doivent être aussi courtes que possible et toujours connectées à du métal soudé à la carrosserie ou au châssis du véhicule.

Emplacements De Montage

Compartiment moteur

Ne montez jamais cet appareil dans le compartiment moteur. Cela entraînerait l'annulation de la garantie.

Montage dans le coffre

Un montage vertical ou inversé de l'ampli assure un refroidissement adéquat.

Le montage de l'ampli sur le plancher du coffre assure un refroidissement optimal.

Montage dans l'habitacle

Le montage de l'ampli dans l'habitacle passager est acceptable à condition qu'il reçoive suffisamment d'air pour se refroidir. Si vous comptez installer l'ampli sous le siège du véhicule, prévoyez un écartement d'au moins 25,4 mm autour du dissipateur thermique de l'ampli.

Un écartement inférieur à cela n'assure pas un refroidissement satisfaisant, nuit à la performance de l'ampli et est, pas conséquent, fortement déconseillé.

Batterie Et Charge

Les amplificateurs exercent une charge accrue sur la batterie et le système de charge du véhicule. Nous vous conseillons de vérifier l'état de l'alternateur et de la batterie pour vous assurer que le système électrique puisse supporter la charge accrue de votre système stéréo. Les systèmes électriques ordinaires en bon état sont normalement capables de fournir sans problème la charge supplémentaire requise par les amplis Power. Toutefois, la durée de vie de la batterie et de l'alternateur peut s'en trouver affectée légèrement. Pour maximiser la performance de votre ampli, nous vous suggérons d'utiliser une batterie à usage intensif et un condensateur de stockage d'énergie.

Câblage Du Système (illus.-2.1 & 2.2)

MISE EN GARDE: si vous ne vous sentez pas à l'aise pour effectuer vous-même le câblage de votre nouvel appareil, veuillez confier l'installation à votre distributeur agréé Rockford Fosgate.

MISE EN GARDE: avant d'entamer l'installation, déconnectez la broche négative (-) de la batterie pour éviter tout risque de blessures, d'incendie ou de dommages à l'appareil.

MISE EN GARDE: évitez de faire passer les fils d'alimentation près des câbles d'entrée de signaux faibles, de l'antenne, des câbles d'alimentation, des équipements ou faisceaux sensibles. Les fils d'alimentation transportent un courant élevé et peuvent produire du bruit dans le système audio.

1. Planifiez l'acheminement des fils. Gardez les câbles RCA ensemble mais en les isolant des câbles d'alimentation de l'ampli et des autres accessoires automobiles de forte puissance, particulièrement les moteurs électriques, pour éviter que le signal audio ne subisse d'interférence de bruit provenant de champs de rayonnement électriques. Si vous faites passer les fils par un pare-feu ou autre barrière métallique, protégez-les à l'aide de bagues en caoutchouc ou en plastique pour éviter les courts-circuits. Conservez toute la longueur des fils pour l'instant. Vous l'ajusterez plus tard.

REMARQUE: Nous recommandons l'utilisation d'un fil de 4AWG pour les prises d'alimentation (B+) et de masse (GND).

2. Préparez le fil d'alimentation ROUGE à connecter à l'amplificateur en dénudant son extrémité sur 1 cm (3/8 po). Sertissez le fil dénudé dans un connecteur en fourche ou en anneau et branchez-le sur la borne B+. Serrez la vis pour fixer le fil.

REMARQUE: Le câble B+ DOIT comporter un fusible à 45,7 cm ou moins de la batterie du véhicule. Installez le porte-fusible sous le capot et assurez-vous que les connexions sont étanches.

3. Coupez le fil ROUGE (câble d'alimentation) à moins de 45,7 cm de la batterie et épissez un porte-fusible en ligne. Voir les Spécifications en ce qui concerne la capacité du fusible à utiliser. N'INSTALLEZ PAS le fusible pour l'instant.
4. Dénudez l'autre extrémité du fil d'alimentation sur 13 mm environ, sertissez-la dans un connecteur en anneau de taille adéquate, puis fixez celui-ci à la borne positive de la batterie.

5. Préparez le fil de masse NOIR à connecter à l'amplificateur en dénudant son extrémité sur 1 cm (3/8 po). Sertissez le fil dénudé dans un connecteur en fourche ou en anneau et branchez-le sur la borne de masse (GND). Serrez la vis pour fixer le fil. Préparez la masse du châssis en grattant toute trace de peinture de la surface métallique et en nettoyant soigneusement pour éliminer tout dépôt de saleté et de graisse. Dénudez l'autre extrémité du fil et fixez un connecteur en anneau. Fixez le câble au châssis à l'aide d'une vis non anodisée et une rondelle en étoile.

REMARQUE: Gardez le fil NOIR (masse) aussi court que possible. Toujours inférieur à 76,2 cm.

6. Préparez le fil de télécommande (REM) à connecter à l'amplificateur en dénudant son extrémité sur 1 cm (3/8 po). Sertissez le fil dénudé dans un connecteur en fourche ou en anneau et branchez-le sur la borne de télécommande (REM). Serrez la vis pour fixer le fil. Connectez l'autre extrémité du fil REM à une source positive commutée de 12 volts. La tension commutée provient généralement du câble d'allumage d'ampli de la source audio. Si la source audio ne comporte pas une telle sortie, nous recommandons de raccorder un interrupteur mécanique en ligne avec une source de 12 volts pour activer l'ampli.
7. Montez solidement l'ampli sur le véhicule ou le rack d'ampli. Prenez soin de ne pas le fixer sur des panneaux en carton ou en plastique. Les vis pourraient en effet se décoller des panneaux sous l'effet des vibrations de la route ou des arrêts soudains du véhicule.
8. Connectez le signal à l'ampli en branchant les câbles RCA dans les prises d'entrée de l'ampli.

MISE EN GARDE : Assurez-vous toujours que l'alimentation est éteinte ou débranchée au niveau de l'amplificateur avant de connecter les câbles RCA. Le non-respect de cette consigne peut entraîner des dommages pour l'amplificateur ou les éléments raccordés à celui-ci.

9. Connectez les enceintes. Dénudez les extrémités de fil d'enceinte sur 1 cm (3/8 po), sertissez-les dans des connecteurs en fourche ou en anneau, puis branchez-les aux bornes d'enceinte. Serrez la vis pour fixer le fil.
10. Effectuez une vérification finale du câblage pour vous assurer que toutes les connexions sont bien mises. Vérifiez toutes les connexions d'alimentation et de mise à la masse en vue de fils effilochés et de connexions desserrées pouvant causer des problèmes. Installez le fusible en ligne près de la connexion de la batterie.

REMARQUE : Cet amplificateur n'est pas recommandé pour les charges d'impédance inférieures à 2Ω en stéréo et à 4Ω en dérivation.

Réglage Du Gain

Procédez de la manière suivante pour chaque voie séparément.

Pour régler le gain, tournez le bouton de gain de l'ampli vers son niveau le plus bas (sens anti-horaire). Augmentez le volume de la source audio jusqu'à produire une distorsion audible, puis baissez-le jusqu'à ce que la distorsion devienne inaudible. Cela correspondant généralement au maximum du volume sur la plupart des unités source. Augmentez ensuite le gain de l'ampli jusqu'à ce que le volume soit adéquat.

REMARQUE: Mettez le gain au minimum pour assurer le meilleur rapport signal/bruit et la meilleure gamme dynamique. Pour la plupart des utilisateurs, un réglage au milieu assure un niveau de gain et de volume adéquat.

MISE EN GARDE: Évitez de régler le gain de l'ampli trop haut car cela entraîne une augmentation significative du bruit et des distorsions.

REMARQUE: pour un réglage plus approfondi, communiquez avec le support technique de Rockford.

Réglage De La Fréquence Du Filtre Passif (illus.-3.1 & 3.2)

Lorsque le commutateur de filtre est sur HP, l'amplificateur fonctionne en mode passe-haut et restitue seulement les fréquences supérieures au point de coupure de 80 Hz.

Lorsque le commutateur de filtre est sur AP, l'amplificateur fonctionne en mode passe-tout et restitue toutes les fréquences.

Lorsque le commutateur de filtre est sur LP, l'amplificateur fonctionne en mode passe-bas et restitue seulement les fréquences inférieures au point de coupure réglable entre 50 et 250 Hz. Tournez le bouton de réglage du filtre à fond vers la gauche. Avec le système en marche, tournez lentement le bouton de réglage vers la droite jusqu'à la fréquence de coupure souhaitée. Une fréquence d'environ 80 Hz constitue un bon point de départ.

Punch Bass (illus.-4.1)

Esto funciona junto con el interruptor de cruce en el amplificador. Cuando está ajustado para la operación en Pasa Bajos (Low Pass, LP) esto es un Refuerzo de Bajos variable. Réglez-le selon votre goût tout en écoutant le système.

MISE EN GARDE: Évitez de régler le gain de l'ampli trop haut car cela entraîne une augmentation significative du bruit et des distorsions.

Télécommande De Niveau Punch

Lorsqu'il est connecté, le "gain" est liée et vous permet de contrôler à distance le niveau de sortie de l'amplificateur du tableau de bord ou la console centrale.

Dépannage

REMARQUE: si vous éprouvez des difficultés après l'installation, appliquez les procédures de dépannage ci-dessous.

- Step 1. Vérifiez que les connexions de l'ampli sont bien mises. Vérifiez que le voyant POW-ER est allumé. Si c'est le cas, passez à l'étape 3, sinon poursuivez.
 1. Vérifiez le fusible en ligne du câble positif de batterie. Effectuez un remplacement au besoin.
 2. Vérifiez les fusibles de l'ampli. Effectuez un remplacement au besoin.
 3. Vérifiez que la connexion demise à lamasse est branchée à une surface métallique propre du châssis du véhicule. Procédez à une réparation ou un remplacement si nécessaire.
 4. Vérifiez la présence d'un courant de 9 à 16 volts au niveau de la borne positive de la batterie et du câble d'allumage à distance. Vérifiez la qualité des connexions des deux câbles au niveau de l'ampli, de la stéréo, de la batterie et du porte-fusible. Procédez à une réparation ou un remplacement si nécessaire.
- Step 2. Le voyant de protection ou thermique est allumé.
 1. Si le voyant de protection est activé, cela indique la présence possible d'un court-circuit dans les connexions de haut-parleur. Vérifiez le branchement des enceintes et utilisez un multimètre pour confirmer l'absence de courts-circuits dans leur câblage. Le voyant de protection peut s'allumer si l'impédance de haut-parleur est trop basse.
 2. Si la luz de temperatura (Thermal) está encendida, compruebe si la impedancia del altavoz es correcta, vuelva a cablear si es necesario. Esto también puede ser una indicación de que se usa el amplificador a niveles de potencia muy altos sin tener el flujo de aire adecuado alrededor del amplificador. Apague el sistema y permita que se enfríe el amplificador. Compruebe que el sistema de carga del vehículo esté manteniendo el voltaje adecuado. Si el elemento anterior no resuelve el problema, es posible que haya una falla en el amplificador, llame a servicio al cliente para conseguir ayuda.
- Step 3. Vérifiez la sortie audio de l'ampli.
 1. Vérifiez que les connexions d'entrée RCA sont bonnes au niveau de la stéréo et de l'ampli. Vérifiez s'il y a des problèmes de torsion ou d'épaisseur tout le long des câbles, etc. Testez la présence de courant c.a. au niveau des entrées RCA lorsque la stéréo est allumée. Procédez à une réparation ou un remplacement si nécessaire.
 2. Débranchez l'entrée RCA de l'ampli. Branchez l'entrée RCA de la stéréo test directement à l'entrée de l'ampli.
- Step 4. Vérifiez l'ampli si un crépitement se produit lorsque vous l'allumez.
 1. Débranchez le signal d'entrée reçu par l'ampli, puis allumez et éteignez l'ampli.
 2. Si le bruit disparaît, connectez le fil REMOTE de l'ampli à la source audio avec un module d'allumage temporisé.
- OU
 1. Utilisez une source de 12Volts différente pour le fil REMOTE de l'ampli (p.ex., directement de la batterie).
 2. Si le bruit disparaît, utilisez un relais pour isoler l'ampli du signal de bruit du démarrage.
- Step 5. Vérifiez l'ampli si un bruit de moteur excessif se produit.
 1. Acheminez tous les fils de signal (RCA, câbles de haut-parleur) à l'écart des fils d'alimentation ou demasse.
- OU
 1. Contournez tous les composants électriques situés entre la stéréo et l'ampli. Connectez la stéréo directement à l'entrée de l'ampli. Si le bruit disparaît, l'unité contournée est la cause du bruit.
- OU
 1. Retirez les fils demasse de tous les composants électriques. Branchez de nouveau les fils à lamasse, mais à des emplacements différents. Vérifiez que ceux-ci sont propres, que le métal est brillant sans trace de peinture, ni rouille, etc.
- OU
 1. Ajoutez un deuxième fil demasse allant de la borne négative de la batterie au métal du châssis ou au bloc-moteur du véhicule.
- OU
 1. Faites effectuer par votre mécanicien un essai de charge au niveau de l'alternateur et de la batterie. Vérifiez que le circuit électrique du véhicule fonctionne correctement, notamment le distributeur, les bougies et leurs câbles, le régulateur de tension, etc.

Características Del Diseño (illus.-1.1)

LED de alimentación / LED de protección

Este LED azul se ilumina cuando se enciende la unidad. Este LED amarillo se ilumina si se detecta un corto circuito o una impedancia demasiado baja en las conexiones del altavoz. El amplificador se apagará automáticamente si esto sucede.

Enchufes RCA de entrada

Los enchufes RCA normativos en la industria brindan una conexión fácil para entrada de nivel de la señal. Están enchapados en níquelados, para resistir la degradación de la señal causada por la corrosión.

Enchufes RCA de Paso Directo

El paso directo brinda una fuente conveniente para conectar un amplificador adicional en cadena, sin tener que conectar otro juego de cables RCA desde el frente del vehículo hasta el punto del amplificador trasero.

Control de ganancia

El control de ganancia de entrada está precalibrado para que iguale la salida de la mayoría de las unidades fuente. Se puede ajustar para que iguale los niveles de salida de una variedad de unidades fuente.

Interruptor de cruce

Se usa para seleccionar funcionamiento 80Hz Pasa Altos (HP), Pasan Todos (AP) o Pasa Bajos (LP).

X-Over (transición) variable

Los amplificadores tienen un filtro Butterworth de 12dB/octava incorporado, con un punto de transición variable de 50Hz a 250Hz.

Punch Bass

Este es un nivel ajustable de graves de control centrado en 12dB/octave @ 45Hz.

Control remoto de nivel Punch

Cuando se conecta, el "Control de ganancia" está vinculado y le permite controlar de forma remota el nivel de salida del amplificador de guión o la consola central.

Terminales de altavoz

Los conectores de abrazadera para cable de servicio pesado y tierra (+ y -) acomodarán conectores tipo de horquilla o de anillo.

Terminales de alimentación

Los conectores de alimentación y tierra son conectores para cables de abrazadera y pueden acomodar conectores de tipo de horquilla o anillo.

Terminal REM

El conector níquelado de abrazadera para cable permitirá el uso de conectores tipo de horquilla o de anillo. Este terminal se usa para encender y apagar el amplificador de manera remota cuando se aplican +12V de corriente continua.

Fusibles

Se puede acceder fácilmente a estos fusibles ATC en caso de falla. Cambie siempre los fusibles por fusibles del mismo tipo y de la misma capacidad. Consulte la capacidad de los fusibles en las especificaciones.

Consideraciones Para La Instalación

La siguiente es una lista de las herramientas necesarias para la instalación:

- Portafusibles y fusible (Consulte la capacidad de los fusibles en las especificaciones)
- Voltímetro / Ohmetro
- Pelacables
- Tenaza engarzadora de cables
- Cortador de cables
- Destornillador Phillips No. 2
- Llave para bornes de batería
- Taladro manual con distintas brocas
- Tubo termoretráctil de 1/8 pulgadas de diámetro
- Variedad de conectores
- Largo adecuado—Cable rojo para corriente
- Largo adecuado—Cable de encendido remoto
- Largo adecuado—Cable negro para conexión a tierra

NOTA: Nosotros recomendamos un alambre calibre 4 AWG para ser usado con las conexiones de alimentación (B+) y tierra (GND).

Esta sección se concentra en algunas de las consideraciones para su vehículo para instalar el nuevo amplificador. La planificación previa del diagrama de su sistema y las mejores rutas del cableado ayudarán a ahorrar tiempo en la instalación. Cuando se decida sobre el diagrama de su nuevo sistema, asegúrese de que cada componente esté accesible para realizar ajustes.

PRECAUCIÓN: Si no está seguro sobre cómo instalar el sistema usted mismo, pídales a un técnico calificado que lo instale.

PRECAUCIÓN: Antes de la instalación, desconecte el terminal negativo de la batería (-) para prevenir daño a la unidad, incendio y/o posibles lesiones.

Antes de comenzar la instalación, siga estas normas simples:

1. Asegúrese de leer y entender cuidadosamente las instrucciones antes de intentar instalar la unidad.
2. Para mayor seguridad, desconecte el electrodo negativo de la batería antes del comienzo de la instalación.
3. Para facilitar el montaje, le sugerimos que pase todos los cables antes de montar la

unidad fuente en su lugar.

4. Pase todos los cables RCA juntos y lejos de recorridos de cables de alta corriente.
5. Use conectores de alta calidad para obtener una instalación fiable y reducir la pérdida de potencia.
6. ¡Piense antes de perforar! Tenga cuidado de no cortar o perforar el tanque de combustible, las líneas de combustible, líneas de frenos o hidráulicas, líneas de vacío o cableado eléctrico cuando trabaje en cualquier vehículo.
7. Nunca pase los cables por debajo del vehículo. Pasar los cables por el interior del vehículo ofrece la mejor protección.
8. Evite pasar los cables sobre o por bordes filosos. Use anillos de goma o plástico para proteger los cables pasados a través del metal, especialmente el muro contra fuego.
9. Proteja SIEMPRE la batería y el sistema eléctrico contra daños usando los fusibles apropiados. Instale el portafusible apropiado y el fusible en el cable de +12V de potencia a una distancia máxima de 45,7 cm del terminal de la batería.
10. Cuando conecte el chasis del vehículo a tierra, quite la pintura del metal para asegurar una conexión a tierra buena y limpia. Las conexiones de toma de tierra deberán ser las más cortas posibles y deberán estar siempre conectadas al metal que está soldado al cuerpo principal, o chasis del vehículo.

Lugares De Montaje

Compartimento del motor

Nunca instale esta unidad en el compartimento del motor. Instalar la unidad en el compartimento del motor anulará su garantía.

Instalación en el maletero

El montaje vertical o invertido del amplificador proporcionará suficiente enfriamiento para el mismo.

El montaje del amplificador en el piso del maletero proporcionará el mejor enfriamiento del mismo.

Instalación en la cabina de pasajeros

Se puede montar el amplificador en la cabina de pasajeros, siempre que usted proporcione una cantidad suficiente de aire al amplificador para que pueda enfriarse. Si planea montar el amplificador debajo del asiento del vehículo, deberá dejar un espacio mínimo de 25,4 mm alrededor del disipador térmico del amplificador.

Montar el amplificador con un espacio de aire menor de 25,4 mm alrededor del disipador térmico del amplificador en la cabina de pasajeros no proporcionará el enfriamiento apropiado, afectará severamente el rendimiento del amplificador y no se recomienda.

Batería y Carga

Los amplificadores aplicarán una carga mayor en la batería del vehículo y en el sistema de carga de la misma. Le recomendamos que compruebe el estado del alternador y la batería para asegurarse de que el sistema eléctrico tenga capacidad suficiente para manejar la mayor carga de su sistema estereofónico. Los sistemas eléctricos estándar que se encuentren en buen estado deben ser capaces de manejar la carga adicional del amplificador serie Power sin problemas, aún cuando es posible que se acorte ligeramente la duración de la batería y el alternador. Para maximizar el rendimiento de su amplificador, sugerimos que use una batería de servicio pesado y un capacitor para el almacenamiento de energía.

Cableado del Sistema (illus.-2.1 & 2.2)

PRECAUCIÓN: Si no se siente capaz de instalar el cableado de su nueva unidad, por favor consulte a su Distribuidor Autorizado Rockford Fosgate local sobre la instalación.

PRECAUCIÓN: Antes de la instalación, desconecte el terminal negativo de la batería (-) para prevenir daño a la unidad, incendio o posibles lesiones.

PRECAUCIÓN: Evite pasar los cables de alimentación cerca de los cables de entrada de bajo nivel, de la antena, de los conductores de alimentación, de equipo sensible o de cableados preformados. Los cables de alimentación llevan bastante corriente y podrían inducir ruido en el sistema de audio.

1. Planifique la ruta de cableado. Mantenga los cables RCA juntos pero aislados de los cables de alimentación del amplificador y de cualquier accesorio del automóvil de alta potencia, especialmente de motores eléctricos. Esto se hace para evitar ruido de acoplamiento de campos eléctricos irradiantes en la señal de audio. Cuando pase los cables por el muro contra fuego o por cualquier barrera metálica, protéjalos con anillos de plástico o goma para evitar cortos circuitos. Deje los cables largos para poder ajustarlos posteriormente en forma precisa.

NOTA: Nosotros recomendamos un alambre calibre 4 AWG para ser usado con las conexiones de alimentación (B+) y tierra (GND).

2. Prepare el cable ROJO (cable de alimentación) para fijarlo al amplificador pelando 3/8 pulg. de aislamiento del extremo del cable. Conecte a presión el cable desnudo en un conector de tipo de horquilla o de anillo y conecte al terminal B+. Apriete el tornillo para asegurar el cable en su sitio.

NOTA: Se DEBE instalar un fusible en el cable B+ a 45,7 cm o menos de distancia de la batería del vehículo. Instale el porta-fusibles abajo del capó / cofre y asegúrese de que las conexiones sean herméticas.

3. Recorte el cable ROJO (cable de alimentación) a menos de 45,7 cm de la batería y empálmelo en un portafusibles en línea. Consulte en las especificaciones de la capacidad del fusible que debe usar. NO instale el fusible en este momento.
4. Pele 13 mm del extremo de la batería del cable de alimentación y conecte a presión un

terminal de anillo del tamaño correcto al cable. Use el terminal de anillo para conectar al borne positivo de la batería.

5. Prepare el cable NEGRO (cable de tierra) para fijarlo al amplificador pelando 3/8 pulg. de aislamiento del extremo del cable. Conecte a presión el cable desnudo en un conector de tipo de horquilla o de anillo y conecte al terminal de TIERRA. Apriete el tornillo para asegurar el cable en su sitio. Prepare la conexión a tierra en el chasis raspando la pintura de la superficie de metal y limpie minuciosamente el polvo y la grasa del área. Pele el otro extremo del cable y conecte un anillo conector. Ajuste el cable al chasis con un tornillo no anodizado y una arandela en estrella.

NOTA: Mantenga el largo del cable NEGRO (tierra) lo más corto posible. Siempre menos de 76,2 cm.

6. Prepare el cable de encendido remoto para fijarlo al amplificador pelando 3/8 pulg. de aislamiento del extremo del cable. Conecte a presión el cable desnudo en un conector de tipo de horquilla o de anillo y conecte al terminal del REMOTO. Apriete el tornillo para asegurar el cable en su sitio. Conecte el otro extremo del cable REM a una fuente de alimentación conmutada de 12 voltios. El voltaje conmutado normalmente se toma del cable de encendido del amplificador remoto. Si la unidad de fuente no tiene esta salida disponible, la solución recomendada es cablear un interruptor mecánico en línea con una fuente de 12 voltios para activar el amplificador.
7. Monte el amplificador seguramente al vehículo o al soporte del amplificador. Tenga cuidado de no montar el amplificador sobre paneles de cartón o plástico porque los tornillos pueden salirse del panel debido a la vibración o las frenadas repentinas del vehículo.
8. Conecte desde la señal de origen enchufando los cables RCA en los conectores de entrada en el amplificador.
9. Conecte los altavoces. Pele 3/8 pulg. los cables del altavoz, presione el cable desnudo en un conector de tipo de horquilla o anillo e instale en los terminales del altavoz. Apriete el tornillo para fijar en su sitio.
10. Realice un control final del cableado terminado del sistema para asegurarse de que todas las conexiones son precisas. Verifique que no haya cables pelados ni conexiones sueltas en ninguna de las conexiones de poder y a tierra que podrían causar problemas. Instale el fusible cerca de la conexión de la batería.

NOTA: No se recomienda estos amplificadores para cargas de impedancia menores de 2Ω en estéreo y 4Ω en puente

Ajuste De Ganancia

Para ajustar la ganancia, gire las ganancias del amplificador totalmente hacia abajo (sentido contra horario). Suba el volumen de la unidad de origen hasta que pueda escuchar la distorsión y luego gire hacia abajo un poco hasta que no se pueda escuchar la distorsión. Esto será hasta arriba en la mayoría de las unidades fuentes. Luego, aumente el ajuste de ganancia del amplificador hasta que se obtenga un volumen adecuado. Las unidades fuentes.

NOTA: Se obtiene la mejor relación de ruido y gama dinámica con la ganancia mínima. La mayoría de los usuarios encuentran que se obtiene un volumen y ganancia adecuados en la mitad de la gama de ajustes.

PRECAUCIÓN: Evite ajustar la ganancia del amplificador en un valor demasiado alto pues aumentará mucho el ruido y la distorsión.

NOTA: Para un procedimiento de calibración más detallado, comuníquese con el Departamento de Asistencia Técnica de Rockford.

Ajuste De Lafrecuencia X-Over (Transición) (illus.-3.1 & 3.2)

Colocar el interruptor de cruce en la posición HP configura el amplificador en el modo pasa altos de 80Hz, permitiendo que pasen las frecuencias mayores que el punto de corte.

Colocar el interruptor de cruce en la posición AP configura el amplificador en el modo pasa todo, evitando el ajuste de cruces, permitiendo que pasen todas las frecuencias.

Colocar el interruptor de cruce en la posición LP configura el amplificador en el modo pasa bajo, permitiendo que pasen las frecuencias menores que el punto de corte, ajustable entre 50 y 250Hz. Gire la perilla de ajuste de cruce totalmente hasta abajo. Con el sistema reproduciendo, gire lentamente hacia arriba la perilla de ajuste de la frecuencia de cruce hasta que se logre el punto de cruce deseado. Un buen sitio para comenzar es a aproximadamente 80Hz.

Punch Bass (illus.-4.1)

Esto funciona junto con el interruptor de cruce en el amplificador. Cuando está ajustado para la operación en Pasa Bajos (Low Pass, LP) esto es un Refuerzo de Bajos variable. Ajuste esto de acuerdo a su preferencia personal mientras escucha al sistema.

PRECAUCIÓN: A altos niveles de aumento de potencia puede producirse una sobrecarga y posteriormente daños.

CONTROL REMOTO DE NIVEL PUNCH

Cuando está conectado le permite controlar de manera remota el nivel de salida del amplificador.

Solución De Problemas

NOTA: Si tiene problemas después de la instalación, siga los procedimientos de solución de problemas descritos a continuación.

Step 1. Verifique que el amplificador esté bien conectado. Compruebe que esté encendida la luz de ALIMENTACIÓN (POWER). Si la luz de ALIMENTACIÓN (POWER) está encendida vaya al Paso 3, de otra manera, continúe.

1. Compruebe el fusible en línea en el cable positivo de la batería. Cambie si es necesario.
2. Compruebe los fusibles en el amplificador. Cambie si es necesario.
3. Compruebe que la conexión a tierra esté conectada a metal limpio en el chasis del vehículo. Repare o cambie si es necesario.
4. Compruebe que haya 9 - 14.4 voltios en el positivo de la batería y en el cable de encendido de la unidad remota. Compruebe la calidad de las conexiones de ambos cables en el amplificador, estéreo y batería / porta-fusibles. Repare o cambie si es necesario.

Step 2. La luz de protección (Protect) o temperatura (Thermal) está encendida.

1. Si la luz de protección está encendida, es una indicación de que posiblemente haya un corto en las conexiones del altavoz. Compruebe que las conexiones del altavoz estén bien hechas y use un multímetro para comprobar si hay un corto en el cableado de los altavoces. Una impedancia de altavoz demasiado baja también puede causar que se ilumine la luz de protección.
2. Si la luz de temperatura (Thermal) está encendida, compruebe si la impedancia del altavoz es correcta, vuelva a cablear si es necesario. Esto también puede ser una indicación de que se usa el amplificador a niveles de potencia muy altos sin tener el flujo de aire adecuado alrededor del amplificador. Apague el sistema y permita que se enfríe el amplificador. Compruebe que el sistema de carga del vehículo esté manteniendo el voltaje adecuado. Si el elemento anterior no resuelve el problema, es posible que haya una falla en el amplificador, llame a servicio al cliente para conseguir ayuda.

Step 3. Compruebe la salida de sonido del amplificador.

1. Compruebe si las conexiones de entrada RCA están bien en el estéreo y el amplificador. Compruebe a lo largo del cable para ver si está retorcido, empalmado, etc. Pruebe las entradas RCA para determinar los voltajes de CA teniendo el estéreo encendido. Repare o cambie si es necesario.
2. Desconecte la entrada RCA del amplificador. Conecte la entrada RCA desde el estéreo de prueba directamente a la entrada del amplificador.

Step 4. Verifique el amplificador si tiene chasquidos al encender.

1. Desconecte la señal de entrada al amplificador y encienda y apague el amplificador.
2. Si el ruido se elimina, conecte el conductor REMOTO del amplificador a la unidad fuente con un módulo de encendido de retardo.

0

1. Use una fuente de 12 voltios distinta para el conductor REMOTO del amplificador (ejemplo, directo a la batería).
2. Si el ruido se elimina, use un relé para aislar el amplificador de la salida de encendido ruidosa.

Step 5. Verifique el amplificador si siente excesivo ruido de motor.

1. Pase todos los cables que llevan señales (RCA, cables de altavoces) lejos de los cables de alimentación y de tierra.

0

1. Desvíe cualquiera y todos los componentes eléctricos entre el estéreo y los amplificadores. Conecte el estéreo directamente a la entrada del amplificador. Si el ruido desaparece el componente que está siendo desviado es la causa del ruido.

0

1. Quite los cables a tierra existentes de todos los componentes eléctricos. Vuelva a conectarlos a tierra en lugares diferentes. Verifique que el sitio de conexión a tierra esté limpio, que sea metal brillante sin pintura, óxido, etc.

0

1. Añada un cable a tierra secundario desde el terminal negativo de la batería al chasis de metal o al bloque del motor del vehículo.

0

1. Haga que sumecánico pruebe la carga del alternador y la batería. Verifique que el sistema eléctrico del vehículo esté en orden, incluyendo el distribuidor, las bujías, los cables de las bujías, el regulador de voltaje, etc.

Designcharakteristiken (illus.-1.1)

Betriebs-LED / Schutz-LED

Diese LED leuchtet auf, wenn das Gerät betriebsbereit ist. Diese LED leuchtet auf, wenn ein Kurzschluss oder eine zu geringe Impedanz an den Lautsprecheranschlüssen erkannt wird. Wenn dies eintritt, schaltet sich der Verstärker automatisch aus.

RCA-Anschlüsse

Die genormten RCA-Anschlüsse ermöglichen einfaches Anschließen des Signalpegeleingangs. Sie sind platinplattiert, um der Signalverschlechterung verursachenden Korrosion zu widerstehen.

RCA-Durchgangsausgänge

Der Durchgang bietet eine bequeme Quelle zum Daisy-Chaining eines zusätzlichen Verstärkers, ohne einen weiteren Satz von RCA-Kabeln vom vorderen Bereich des Wagens zum hinteren befindlichen Verstärker zu verlegen.

Lautstärkereglern

Der Eingangslautstärkereglern ist werkseitig so eingestellt, dass er der Leistung der meisten Source-Geräte entspricht. Er kann den Ausgangspegeln einer Vielzahl von Source-Geräten angepasst werden.

Crossover-Schalter

Dient zur Wahl des 80Hz Hochpass-(HP), Allpass-(AP), oder Tiefpassbetriebs-(LP).

Variierbares Crossover Tiefpassbetrieb

Die Verstärker haben einen eingebauten 12 dB/Oktav Butterworth-Filter mit einem von 50 Hz bis 250 Hz variierbaren Crossover-Punkt.

Punch Bass

Dies ist ein Bass-Regler einstellbar zwischen 0dB und 12dB @ 45Hz.

Punch-Pegel-Fernbedienung

Wenn eine Verbindung, die "Gain Control" ist verknüpft und ermöglicht es Ihnen, die Ferne kontrollieren Sie den Ausgangspegel des Verstärkers aus dem Bindestrich oder Center-Konsole.

Lautsprecheranschlüsse

Die strapazierfähigen, vernickelten Klemmkabelanschlüsse (+ und -) nehmen Gabel- oder Ringadapter auf. Positiven (+) und negative (-) Ausgänge sind intern parallel beschaltet.

Stromanschlüsse

und Erdungsanschlüsse sind vernickelte Klemmkabelanschlüsse und nehmen Gabel- oder Ringadapter auf.

Fernbedienungsanschluss

Der vernickelte Klemmkabelanschluss nimmt Gabel- oder Ringadapter auf. Dieser Anschluss wird zur Fein- und -ausschaltung des Verstärkers verwendet, wenn +12 V DC angelegt werden.

Sicherungen

Diese ATC-Sicherungen sind bei Ausfall leicht zugänglich. Sicherungen nur durch denselben Typ und Bemessungsstrom ersetzen. Siehe Technische Daten zu dem Bemessungsstrom der Sicherungen.

Einbauüberlegungen

Die nachfolgenden Werkzeuge werden für den Einbau benötigt:

- Sicherungsfassung und Sicherung. (Siehe Technische Daten für Bemessungsstrom)
- Spannungs- und Widerstandsmesser
- Abisolierzange
- Drahtkripper
- Drahtschere
- Kreuzschraubenzieher Nr. 2
- Batteriestützenschlüssel
- Handbohrer mit verschiedenen Bohrspitzen
- Schrumpfschlauch (3 mm Durchmesser)
- Verschiedene Anschlusssteile
- Angemessene Länge—Rotes Stromkabel
- Angemessene Länge—Fernbedienungsanschaltkabel
- Angemessene Länge—Schwarzes Erdungskabel

HINWEIS: Wir empfehlen Draht der Stärke 4AWG für die Strom- (B+) und Masse-Anschlüsse (GND).

Dieser Abschnitt konzentriert sich auf Erwägungen hinsichtlich des Einbaus Ihres neuen Verstärkers im Fahrzeug. Vorausplanung Ihres Systemlayouts und der besten Verkabelungsrouten spart Zeit beim Einbau. Prüfen Sie bei der Wahl eines Layouts für Ihr neues System, ob alle Komponenten leicht erreichbar sind, um Einstellungen vorzunehmen.

VORSICHT: Wenn Sie beim Einbau des Geräts unsicher sind, lassen Sie es bitte von einem qualifizierten Rockford Fosgate Techniker einbauen.

VORSICHT: Entfernen Sie vor dem Einbau den negativen Batteriepol, um Schäden am Gerät, Feuer bzw. mögliche Verletzungen zu vermeiden.

Befolgen Sie vor dem Einbau diese einfachen Regeln:

1. Lesen Sie die Anleitung sorgfältig, bevor Sie versuchen das Gerät einzubauen.
2. Entfernen Sie vor dem Einbau aus Sicherheitsgründen das negative Kabel von der Batterie.

3. Um die Montage zu erleichtern, empfehlen wir, alle Kabel vor der Befestigung des Source-Geräts zu verlegen.
4. Verlegen Sie alle RCA-Kabel dicht zusammen und im Abstand zu jeglichen Hochstromkabeln.
5. Verwenden Sie nur Qualitätsstecker, um einen verlässlichen Einbau zu gewährleisten und Signal- und Stromverlust zu minimieren.
6. Denken Sie nach, bevor Sie bohren! Achten Sie darauf, nicht in den Benzintank, die Benzin-, Brems- oder hydraulische Leitungen, Vakuumleitungen oder Elektrokabel zu schneiden oder zu bohren, wenn Sie an einem Fahrzeug arbeiten.
7. Verlegen Sie Kabel nie unter dem Fahrzeug. Die Kabel im Fahrzeug zu verlegen, bietet den besten Schutz.
8. Vermeiden Sie es, Kabel über scharfe Kanten zu verlegen. Verwenden Sie Gummi- oder Plastikringe, um Kabel zu schützen, die durch Metall verlegt werden (besonders die Feuerwand).
9. Schützen Sie die Batterie und das elektrische System IMMER durch ordnungsgemäße Sicherungen vor Schäden. Installieren Sie die entsprechende Sicherungshalterung und Sicherung auf dem +12V Stromkabel maximal 45,7 cm vom Batteriepol.
10. Kratzen Sie bei der Erdung über das Fahrgestell alle Farbe vom Metall, um eine gute, saubere Erdungsverbindung zu gewährleisten. Erdungsverbindungen sollten so kurz wie möglich und stets an Metall angeschlossen sein, das an die Karosserie oder das Fahrgestell geschweißt ist.

Befestigungsstellen

Motorraum

Das Gerät darf nicht im Motorraum installiert werden. Ein solcher Einbau führt zum Verlust der Garantie.

Einbau im Kofferraum

Aufrechter oder umgekehrter Einbau des Verstärkers bietet adäquate Kühlung des Verstärkers. Befestigung des Verstärkers auf dem Boden des Kofferraums bietet die beste Kühlung des Verstärkers.

Einbau im Innenraum

Befestigung des Verstärkers im Innenraum ist möglich, solange gewährleistet ist, dass der Verstärker genügend Luftzufuhr hat, um sich selbst zu kühlen. Wenn Sie den Verstärker unter dem Fahrzeugsitz befestigen, muss ein Luftspalt von wenigstens 25,4 mm um den Kühlkörper des Verstärkers herum vorhanden sein.

Befestigung des Verstärkers bei einem Luftspalt von weniger als 25,4 mm um den Kühlkörper des Verstärkers herum bietet keine ordnungsgemäße Kühlung und wirkt sich negativ auf die Leistung des Verstärkers aus. Von ihr wird dringend abgeraten.

Batterie Undaufladung

Verstärker belasten die Fahrzeugbatterie und das Ladesystem zusätzlich. Wir empfehlen, die Lichtmaschine und den Batteriezustand zu überprüfen, um zu gewährleisten, dass das elektrische System genügend Kapazität hat, um die zusätzliche Belastung durch Ihr Stereosystem zu verkraften. Gewöhnliche elektrische Systeme, die sich in gutem Zustand befinden, sollten in der Lage sein, die zusätzliche Belastung durch einen beliebigen Verstärker der Power-Serie problemlos zu verkraften, jedoch kann sich die Lebensdauer der Batterie und Lichtmaschine etwas reduzieren. Wir empfehlen die Verwendung einer hochbelastbaren Batterie und eines Energiespeicherungskondensators, um die Leistung Ihres Verstärkers zu maximieren.

Verkabelung Des Systems (illus.-2.1 & 2.2)

VORSICHT: Wenn Sie beim Einbau des Geräts unsicher sind, lassen Sie es bitte von einem qualifizierten Rockford Fosgate Techniker einbauen.

VORSICHT: Entfernen Sie vor dem Einbau den negative Batteriepol, um Schäden am Gerät, Feuer bzw. mögliche Verletzungen zu vermeiden.

VORSICHT: Vermeiden Sie es, Stromkabel in der Nähe von niedrigaktiven Eingangskabeln, der Antenne, Stromleitungen, empfindlichem Gerät oder Halterungen zu verlegen. Die Stromkabel leiten erheblichen Strom und können Geräusche im Audiosystem verursachen.

1. Planen Sie die Kabelrouten. Die RCA-Kabel sollen dicht zusammen bleiben, aber von den Stromkabeln des Verstärkers und anderem Hochleistungszubehör, insbesondere von elektrischen Motoren isoliert sein. Dies dient dazu, die Kupplung von Geräuschen aus elektrischen Strahlungsfeldern in das Audiosignal zu verhindern. Werden Kabel durch die Feuerwand oder andere Metallbarrieren geführt, die Kabel zur Vermeidung von Kurzschlüssen mit Plastik- oder Gummiringen schützen. Die Kabel zunächst etwas länger lassen und erst später exakt anpassen.

HINWEIS: Wir empfehlen Draht der Stärke 4AWG für die Strom- (B+) und Masse-Anschlüsse (GND).

2. Das ROTE Kabel (Stromkabel) durch Abisolieren von 9,5 mm am Ende des Kabels vorbereiten. Den bloßgelegten Draht an einen Gabel- oder Ringadapter crimpen und am B+-Anschluss befestigen. Die Schraube anziehen, um das Kabel an seinem Platz zu befestigen.

HINWEIS: Das B+-Kabel muss maximal 45,7 cm von der Fahrzeugbatterie mit einer Sicherung ausgestattet sein. Den Sicherungshalter unter der Motorhaube anbringen und gewährleisten, dass die Anschlüsse wasserdicht sind.

3. Das ROTE Kabel (Stromkabel) maximal 45,7 cm von der Batterie abisolieren und einen Inline-Sicherungshalter einspleißen. Der Bemessungsstrom der zu verwendenden Batterie ist in den Technischen Daten aufgeführt. Zunächst noch KEINE Sicherung einsetzen.

4. 13 mm vom Batterieende des Stromkabels abisolieren und einen Ringadapter von geeigneter Größe an das Kabel crimpen. Den Ringadapter zum Anschließen an den positiven Anschluss der Batterie benutzen.
 5. Das SCHWARZE Kabel (Erdungskabel) durch Abisolieren von 9,5 mm am Ende des Kabels zum Anschließen am Verstärker vorbereiten. Den bloßgelegten Draht an einen Gabel- oder Ringadapter crimpen und am ERDUNGSANschluss befestigen. Die Schraube anziehen, um das Kabel an seinem Platz zu befestigen. Den Untergrund am Fahrgestell durch Abkratzen der Farbe von der Metalloberfläche und sorgfältiges Reinigen des Bereichs von Schmutz und Schmiere vorbereiten. Die Isolation am anderen Ende des Kabels abziehen und ein ringförmigen Stecker anbringen. Das Kabel mittels einer nichttoxierten Schraube und einer Sternunterlegscheibe am Fahrgestell befestigen.
- HINWEIS: Die Länge des SCHWARZEN Kabels (Erde) sollte so kurz wie möglich gehalten werden, jedoch stets maximal 76,2 cm.
6. Das Fernbedienungskabel durch Abisolieren von 9,5 mm am Ende des Kabels zum Anschließen am Verstärker vorbereiten. Den bloßgelegten Draht an einen Gabel- oder Ringadapter crimpen und am FERNBEDIENUNGSANschluss befestigen. Die Schraube anziehen, um das Kabel an seinem Platz zu befestigen. Das andere Ende des Fernbedienungskabels an eine geschaltete, positive 12 V-Quelle anschließen. Die geschaltete Spannung wird gewöhnlich vom Einschaltanschluss für externe Verstärker am Source-Gerät genommen. Ist ein solcher Anschluss am Source-Gerät nicht vorhanden, wird empfohlen, einen mechanischen Schalter in eine Leitung mit einer 12 V-Quelle einzubauen, um den Verstärker zu aktivieren.
 7. Den Verstärker gut am Fahrzeug oder Verstärkergestell befestigen. Darauf achten, dass der Verstärker nicht an Pappoder Plastikpanelen befestigt wird. Dies kann dazu führen, dass die Schrauben sich durch Straßenvibrationen oder plötzliches Anhalten aus den Panelen lösen.
 8. Vom Quellsignal durch Einstöpseln der RCA-Kabel in die Eingangsbuchsen am Verstärker anschließen.

VORSICHT: Stets gewährleisten, dass der Betriebsschalter ausgeschaltet oder das Stromkabel vom Verstärker abgezogen ist, bevor RCA-Kabel angeschlossen werden. Geschieht dies nicht, können der Verstärker und/oder die angeschlossenen Komponenten beschädigt werden.

9. Die Lautsprecher anschließen. Die Lautsprecherkabel 9,5 mm abisolieren, den bloßgelegten Draht an einen Gabeloder Ringadapter crimpen und an den Lautstärkeranschlüssen befestigen. Die Schraube anziehen, um das Kabel an seinem Platz zu befestigen.
10. Eine abschließende Prüfung des gesamten Kabelsystems durchführen, um zu gewährleisten, dass alle Verbindungen akkurat sind. Alle Strom- und Erdungsverbindungen auf durchgeriebene Kabel und lose Verbindungen prüfen, die Probleme verursachen könnten. Inline-Sicherung in der Nähe des Batterieanschlusses einbauen.

HINWEIS: Dieser Verstärker wird nicht für Impedanzlasten unter 2 Ohm stereo und 4 Ohm überbrückt empfohlen.

Lautstärke (Gain) Einstellen

Zur Einstellung der Lautstärke die Lautstärkeregel des Verstärkers ganz nach unten stellen (nach links drehen). Die Lautstärke des Source-Geräts erhöhen, bis eine Verzerrung hörbar ist, dann ein wenig verringern, bis die Verzerrung nicht mehr hörbar ist. An den meisten Source-Geräten bedeutet dies ganz nach oben. Als Nächstes die Lautstärkeeinstellung des Verstärkers erhöhen, bis eine adäquate Lautstärke erreicht ist.

HINWEIS: Der beste Rauschabstand und Dynamikbereich werden bei einer auf das Minimum gestellten Lautstärke erreicht. Die meisten Benutzer finden, dass adäquate Lautstärke etwa in der Mitte des Einstellungsbereichs erzielt wird.

VORSICHT: Vermeiden Sie, die Verstärkerlautstärke sehr hoch einzustellen, da Geräusche und Verzerrung sich dadurch wesentlich erhöhen.

HINWEIS: Kontaktieren Sie den technischen Kundendienst von Rockford für genauere Einstellungsverfahren.

Crossover-Frequenzeinstellen (illus.-3.1 & 3.2)

Das Platzieren des Crossover-Schalters in der HP-Position schaltet den Verstärker in den 80 Hz-Hochpassmodus und erlaubt so das Passieren von Frequenzen oberhalb des Grenzpunkts. Das Platzieren des Crossover-Schalters in der AP-Position schaltet den Verstärker in den Allpassmodus und verhindert jegliche Crossover-Einstellung. Dadurch können alle Frequenzen passieren.

Das Platzieren des Crossover-Schalters in der TP-Position schaltet den Verstärker in den Tiefpassmodus und erlaubt so das Passieren von Frequenzen unterhalb des Grenzpunkts. Eine Einstellung zwischen 50 und 250 Hz ist möglich. Den Crossover-Regler ganz nach unten drehen. Während das System spielt, den Crossover-Regler langsam nach oben drehen, bis der gewünschte Crossover-Punkt erreicht ist. Ein guter Ausgangspunkt liegt bei etwa 80 Hz.

Punch Bass (illus.-4.1)

Dies funktioniert gemeinsam mit dem Crossover-Schalter am Verstärker. Bei Einstellung auf Tiefpassbetrieb (LP) handelt es sich um eine variable Verstärkung der Bässe. Nehmen Sie Ihre persönliche Einstellung während des Zuhörens vor.

VORSICHT: Übermäßige Auslenkung und nachfolgender Schaden können bei hohen Boost-Pegeln entstehen.

Punch-Pegel-Fernbedienung

Wenn eine Verbindung, die "Gain Control" ist verknüpft und ermöglicht es Ihnen, der Ferne kontrollieren Sie den Ausgangspegel des Verstärkers aus dem Bindestrich oder Center-Konsole.

Fehlerbeseitigung

HINWEIS: Falls Sie nach dem Einbau Probleme haben, befolgen Sie die nachfolgenden Verfahren zur Fehlerbeseitigung:

- Step 1. Den Verstärker auf ordnungsgemäße Anschlüsse überprüfen. Prüfen, ob die BETRIEBS-LED aufleuchtet. Leuchtet die BETRIEBS-LED auf, bei Schritt 3 weitermachen, falls nicht, hier weitermachen.
 1. Die Sicherung auf dem positiven Batteriekanal überprüfen und nach Bedarf ersetzen.
 2. Die Sicherung(en) am Verstärker überprüfen und nach Bedarf ersetzen.
 3. Überprüfen, ob der Erdungsanschluss an blankem Metall am Fahrgestell des Fahrzeugs angeschlossen ist. Nach Bedarf reparieren oder ersetzen.
 4. Überprüfen, ob an der positiven Batterie und am Fernbedienungseinschaltkabel 9 bis 14,4 Volt anliegen. Die Qualität der Anschlüsse für beide Kabel am Verstärker, Stereosystem und Batterie- bzw. Sicherungshalter überprüfen. Nach Bedarf reparieren oder ersetzen.
- Step 2. Schutz- oder Thermallicht leuchtet auf.
 1. Falls das Schutzlicht aufleuchtet, bedeutet dies, dass möglicherweise ein Kurzschluss in den Lautsprecheranschlüssen vorliegt. Überprüfen, ob die Lautsprecher ordnungsgemäß angeschlossen sind. Den ordnungsgemäßen Anschluss der Lautsprecher überprüfen und mit einem Spannungs-/Widerstandsmesser auf mögliche Kurzschlüsse in den Lautsprecherkabeln testen. Eine zu niedrige Lautsprecherimpedanz kann ebenfalls dazu führen, dass das Schutzlicht aufleuchtet.
 2. Leuchtet die Thermal-LED auf, die Lautsprecherimpedanz überprüfen und gfs. neu verkabeln. Dies kann auch ein Zeichen dafür sein, dass der Verstärker auf sehr hoher Leistung gefahren wird, ohne dass adäquater Luftstrom um den Verstärker herum vorhanden ist. Das System ausschalten und den Verstärker abkühlen lassen. Überprüfen, ob das Ladesystem des Fahrzeugs die erforderliche Spannung aufrechterhält. Sollte keiner dieser Schritte Abhilfe schaffen, ist der Verstärker möglicherweise defekt. Rufen Sie dann den Kundendienst an.
- Step 3. Den Verstärker auf Audioleistung überprüfen.
 1. Gewährleisten Sie, dass gute RCA-Eingangsanschlüsse am Stereosystem und Verstärker vorliegen. Die gesamte Länge der Kabel auf Knicke, Spleiße usw. überprüfen. Die RCA-Eingänge bei eingeschaltetem Stereosystem auf Wechselspannung überprüfen. Nach Bedarf reparieren bzw. ersetzen.
 2. Den RCA-Eingang vom Verstärker entfernen. Den RCA-Eingang vom Prüf-Stereosystem direkt an den Verstärkereingang anschließen.
- Step 4. Prüfen, ob beim Anstellen des Verstärkers ein Knacken auftritt.
 1. Das Eingangssignal zum Verstärker entfernen und den Verstärker ein- und ausschalten.
 2. Ist das Geräusch eliminiert, die FERNBEDIENUNGS-Ader des Verstärkers mit einem Verzögerungseinschaltmodul am Source-Gerät anschließen.
- ODER
 1. Eine andere 12V-Quelle für die FERNBEDIENUNGS-Ader des Verstärkers (z.B. Batterie direkt) verwenden.
 2. Falls das Geräusch eliminiert ist, ein Relais zur Isolierung des Verstärkers von Schaltgeräuschen verwenden.
- Step 5. Den Verstärker auf übermäßige Motorengeräusche prüfen.
 1. Alle signalübertragenden Kabel (RCA-, Lautsprecherkabel) von Strom- und Erdungskabeln entfernt verlegen.
- ODER
 1. Alle elektrischen Komponenten zwischen der Stereoanlage und dem/den Verstärker(n) umgehen. Die Stereoanlage direkt am Verstärkereingang anschließen. Falls das Geräusch eliminiert ist, ist das umgangaene Gerät die Ursache des Geräuschs.
- ODER
 1. Die vorhandenen Erdungskabel aller elektrischen Komponenten entfernen. Die Kabel an anderen Stellen wieder erden. Prüfen, ob die Erdungsstelle sauberes, glänzendes Metall ist, das frei von Farbe, Rost usw. ist.
- ODER
 1. Ein zweites Erdungskabel vom Negativpol der Batterie zum Fahrgestellmetall oder Motorblock des Fahrzeugs hinzufügen.
- ODER
 1. Die Drehstromlichtmaschine und Batterieladung von ihrem Mechaniker prüfen lassen. Die ordnungsgemäße Funktion des elektrischen Systems am Fahrzeug prüfen, und zwar einschließlich des Verteilers, der Zündkerzen, der Zündkerzenkabel, des Spannungsreglers usw.

Caratteristiche Del Design (illus.-1.1)

LED alimentazione / LED di protezione

Questo LED blu si accende quando l'unità viene accesa. Questo LED rosso si accende se viene rilevato un corto circuito o un'impedenza troppo bassa ai collegamenti con i diffusori. In tal caso, l'amplificatore si spegne automaticamente.

Spinotti d'ingresso RCA

Gli spinotti RCA standard di fabbrica forniscono un collegamento facile per l'ingresso del livello di segnale. Sono placcati in nichel per prevenire le alterazioni del segnale causate dalla corrosione.

Spinotti passa-atravverso RCA

Il passa-atravverso fornisce una fonte conveniente per concatenare a margherita un amplificatore supplementare senza far scorrere un altro paio di cavi RCA dalla parte anteriore del veicolo all'ubicazione posteriore dell'amplificatore.

Comando del guadagno

Il comando del guadagno d'ingresso è stato preregolato per essere conforme con l'uscita della maggiore parte delle unità di fonte. Può essere regolato in modo da conformarsi ai livelli di uscita provenienti da una varietà di unità di fonte.

Interruttore di crossover

interruttore selezionabile per funzionamento 80Hz High-Pass (HP), passa-alto, All Pass (AP), passa-tutto, o Low-Pass (LP), passa-basso.

Frequenza di incrocio variabile

Gli amplificatori hanno un filtro Butterworth incorporato da 12dB/ottava con un punto di incrocio variabile dai 50Hz ai 250Hz.

Punch Bass

Si tratta di un livello di controllo dei bassi regolabili tra 0dB a +12dB @ 45Hz.

Comando a distanza di livello Punch

Quando è collegato, il "Gain Control" è collegata e vi permette di controllare in remoto il livello di uscita dell'amplificatore dal centro trattino o consolle.

Terminali degli altoparlanti

I robusti terminali per i diffusori sono morsetti per conduttore nichelati (+ e -) che consentono di allacciare sia connettori a forcella che connettori ad anello.

Terminali di potenza

I terminali dell'alimentazione e della messa a terra sono morsetti per conduttore nichelati che consentono di allacciare sia connettori a forcella che connettori ad anello.

Terminale REM

Morsetto per conduttori nichelato che consente di collegare sia connettori a forcella che connettori ad anello. Questo terminale serve ad accendere e spegnere l'amplificatore a distanza quando si applica una tensione di +12 V c.c.

Fusibili

Questi fusibili ATC sono accessibili con facilità in caso di guasto. Sostituire sempre i fusibili con modelli di tipo e portata identici. Riferirsi ai dati tecnici per informazioni sul valore nominale dei fusibili.

Considerazioni Sull'installazione

Segue un elenco degli utensili necessari per eseguire l'installazione:

- Portafusibile e fusibile. (Per informazioni sulla portata dei fusibili, consultare le specifiche.)
- Voltmetro/ohmetro
- Pinze spelafili
- Pinze raggrinzafili
- Pinze tagliafili
- Cacciavite a croce no.2
- Chiave per morsetto batteria
- Trapano e punte assortite
- Guaina termoretraibile avente un diametro di 0,32 cm
- Connettori vari
- Lunghezza adeguata—Filo di tensione rosso
- Lunghezza adeguata—Filo di accensione a telecomando
- Lunghezza adeguata—Filo di massa nero

NOTA: Per il collegamento di alimentazione (B+) e massa (GND) consigliamo di usare conduttori di misura 4 AWG.

Questa sezione si concentra su alcune considerazioni a livello di veicolo inerenti all'installazione del vostro nuovo amplificatore. Programmando a priori la configurazione del vostro sistema audio nonché i migliori cablaggi, risparmierete tempo durante l'installazione. Quando avrete deciso la miglior configurazione per il vostro nuovo sistema audio, assicuratevi di poter accedere facilmente a ciascuna componente per effettuare le regolazioni necessarie.

ATTENZIONE: Se avete dei dubbi circa l'installazione, rivolgetevi ad un tecnico qualificato Rockford Fosgate.

ATTENZIONE: Prima dell'installazione, scollegate il terminale negativo (-) della batteria per evitare danni all'unità, pericoli d'incendio e/o potenziali lesioni personali. Prima di iniziare qualsiasi operazione d'installazione, vi consigliamo di seguire queste semplici regole:

1. Assicuratevi di aver letto tutte le istruzioni con cura e di averle capite prima di effettuare qualsiasi tentativo d'installazione nei confronti dell'unità.
2. Per motivi di sicurezza, scollegate il cavo negativo dalla batteria prima di dare l'avvio all'installazione.

3. Per facilitare l'installazione, vi consigliamo di far scorrere tutti i cavi prima di montare la vostra unità di fonte nell'ubicazione desiderata.
4. Fate passare tutti i cavi RCA vicini l'uno all'altro ma lontano da fili ad alta tensione.
5. Usate connettori di alta qualità per garantire un'installazione che dà affidamento e per ridurre al minimo la perdita di segnali o di potenza.
6. State attenti prima di trapanare! Cercate di non trapanare e di non tagliare i serbatoi della benzina; le condutture del carburante, dei freni, del sistema idraulico e a depressione; nonché i fili elettrici quando state lavorando su qualsiasi veicolo.
7. Non fate mai scorrere i fili sotto il veicolo. Avrete la protezione migliore facendo scorrere i fili all'interno del veicolo.
8. Evitate di far scorrere i fili sopra o attraverso delle estremità affilate. Usate guarnizioni di tenuta in gomma o in plastica per proteggere qualsiasi filo che passi attraverso del metallo, soprattutto il paraframma.
9. Proteggete SEMPRE sia la batteria che il sistema elettrico usando fusibili adatti. Installate sia un fusibile che un portafusibili adeguati sul filo a tensione da +12V entro 45,7 cm dal terminale della batteria.
10. Quando eseguite la messa a terra del telaio del veicolo, raschiate tutta la vernice dal metallo per assicurarvi un collegamento a terra pulito e saldo. I collegamenti a terra dovrebbero essere più corti possibile e sempre a contatto di metallo che sia saldato all'autotelaio del veicolo.

Posizionamento

Scompartimento del motore

Non montate mai questa unità nello scompartimento del motore. Ciò annullerà la vostra garanzia.

Montaggio nel bagagliaio

Il montaggio dell'amplificatore in posizione verticale o invertita sarà sufficiente a fornire adeguato raffreddamento all'unità.

Se l'amplificatore viene montato sul fondo del bagagliaio, si ottiene il migliore raffreddamento dell'unità.

Montaggio nello scampartimento passeggeri

Se montate l'amplificatore nell'abitacolo, esso funzionerà finché possiate fornire una quantità sufficiente di aria per permettere all'amplificatore di raffreddarsi. Se avete intenzione di montare l'amplificatore sotto il sedile del veicolo, dovete lasciare un vuoto d'aria di almeno 25,4 mm attorno al dissipatore di calore dell'amplificatore.

Se montate l'amplificatore nell'abitacolo, lasciando un vuoto d'aria meno di 25,4 mm attorno al suo dissipatore di calore, non otterrete il raffreddamento necessario e ciò comprometterà notevolmente le prestazioni dell'amplificatore. Pertanto, non è assolutamente raccomandabile.

Batteria E Caricamento

Gli amplificatori rappresentano un ulteriore carico sulla batteria e sul sistema di caricamento del veicolo. Si consiglia di controllare la condizione dell'alternatore e della batteria per assicurarsi che il sistema elettrico sia in grado di far fronte al carico aggiuntivo dovuto al sistema stereofonico. I sistemi elettrici standard in buone condizioni dovrebbero poter far fronte al carico supplementare di qualsiasi amplificatore della serie Power senza alcun problema, sebbene la vita della batteria nonché quella dell'alternatore potrebbero ridursi leggermente. Per sfruttare al massimo le prestazioni del vostro amplificatore, vi consigliamo di utilizzare una batteria robusta ed un condensatore ad accumulazione di energia.

Cablaggio Del Sistema (illus.-2.1 & 2.2)

ATTENZIONE: Se avete dei dubbi circa l'installazione, rivolgetevi ad un tecnico qualificato della Rockford Fosgate.

ATTENZIONE: Prima dell'installazione, scollegate il terminale negativo (-) della batteria per evitare danni all'unità, pericoli d'incendio e/o potenziali lesioni personali.

ATTENZIONE: Evitate di far scorrere i fili elettrici vicino ai cavi d'entrata a basso livello, alle antenne, ai cavi di tensione, ad attrezzature sensibili o a cablaggi preassemblati. I fili elettrici portano una tensione notevole e potrebbero indurre rumori dentro il sistema audio.

1. Programmate il cablaggio dei fili. Tenete i fili RCA insieme ma isolati dai cavi a tensione dell'amplificatore e da qualsiasi accessorio auto ad alta tensione, soprattutto i motori elettrici. Ciò è necessario per evitare che il rumore proveniente da campi elettrici irradiati possa accoppiarsi con il segnale audio. Quando fate scorrere i fili attraverso il paraframma o attraverso qualsiasi barriera metallica, proteggeteli con delle guarnizioni di tenuta in gomma o in plastica per evitare i cortocircuiti. Lasciate i fili piuttosto lunghi a questo punto; più tardi potrete regolare la loro lunghezza in modo più preciso.

NOTA: Per il collegamento di alimentazione (B+) e massa (GND) consigliamo di usare conduttori di misura 4 AWG.

2. Predisporre il filo ROSSO (cavo di alimentazione) per collegamento all'amplificatore spelando l'estremità del suo rivestimento isolante per una lunghezza di 3/8 di pollice (1 cm) Strozare un connettore a forcella o ad anello sull'estremità spelata del conduttore e collegare al terminale B+. Serrare la vite di fermo per fissare il cavo sul posto.

NOTA: Il cavo B+ DEVE avere un fusibile a non più di 45,7 cm dalla batteria del veicolo. Installare il portafusibili sotto il cofano e verificare che i collegamenti siano a tenuta stagna.

3. Tagliare il cavo ROSSO (alimentazione) entro 45,7 cm dall'amplificatore e inserire un portafusibili in linea. Per informazioni sulla portata dei fusibili da usare, consultare il capitolo Specifiche. NON installare il fusibile a questo punto.
4. Spelare 13 mm dall'estremità sul lato batteria del cavo di alimentazione e strozzare sul

cavo un terminale ad anello di dimensione opportuna. Servirsi del terminale ad anello per collegare il cavo al positivo della batteria.

- Preparate il filo NERO (cavo della messa a terra) per poterlo attaccare all'amplificatore, spelando via 13 mm di isolante dall'estremità del filo. Inserite il filo spelato dentro il terminale GND e stringete le viti di arresto per fissare il cavo. Preparate la messa a terra del telaio raschiando via la vernice dalla superficie metallica e pulitela accuratamente, rimuovendo ogni traccia di lubrificazione e di sudiciume. Spelate l'altra estremità del filo e attaccategli un serrafili ad anello. Fissate il cavo al telaio usando una vite non anodizzata e una rondella a stella.

NOTA: Far in modo che il cavo NERO (Massa) sia il più corto possibile. Sempre meno di 76,2 cm.

- Preparare il cavo di accensione REM per il collegamento all'amplificatore, rimuovendo circa 13 mm di isolante dall'estremità del filo. Inserire la parte scoperta del cavo nel terminale REM e stringere la vite di arresto per fissarlo in posizione. Collegare l'altro estremo del cavo REM a una fonte positiva commutata a 12 Volt. La tensione commutata proviene generalmente dal cavo dell'accensione remota dell'amplificatore dell'unità di fonte. Qualora l'unità sorgente non avesse tali uscite disponibili, la soluzione consigliata consiste nel cablare un commutatore meccanico in linea con una fonte da 12 volt per attivare l'amplificatore.
- Montate l'amplificatore saldamente al veicolo o all'apposita struttura di supporto. Assicuratevi di non montare l'amplificatore su pannelli di plastica o di cartone in quanto ciò potrebbe permettere alle viti di allentarsi e di fuoriuscire dal pannello durante le vibrazioni stradali o se il veicolo dovesse arrestarsi improvvisamente.
- Collegate il segnale di fonte inserendo i cavi RCA negli spinotti d'ingresso ubicati sull'amplificatore stesso.

ATTENZIONE: Prima di collegare i cavi RCA accertarsi sempre che l'amplificatore sia spento e scollegato. Se non lo si fa, si rischia di danneggiare l'amplificatore e/o i componenti a esso collegati.

- Collegare i diffusori. Spelare i fili dei diffusori per una lunghezza di 3/8 di pollice (1 cm), strozzare i connettori del tipo a forcina o ad anello sul filo spelato e collegare i fili ai terminali dei diffusori. Serrare la vite per fissare sul posto.
- Eseguita un controllo finale dell'intero cablaggio del sistema per assicurarvi che tutti i collegamenti siano corretti. Controllate tutti i collegamenti di tensione e di massa per la presenza di fili sfrangiati o di collegamenti allentati che potrebbero dar luogo a problemi. Installare il fusibile in linea vicino al collegamento della batteria.

NOTA: Questo amplificatore è sconsigliato per carichi di impedenza inferiori a 2Ω stereo e 4Ω in parallelo.

Regolazione Del Guadagno

Per regolare l'impostazione per il guadagno, abbassare completamente i guadagni per l'amplificatore (ruotando in senso antiorario). Alzare il volume dell'unità di fonte finché la distorsione non diventi udibile, e poi abbassarlo finché la distorsione non sia più udibile. Nella maggior parte delle unità, ciò avviene quasi al volume massimo. Quindi aumentare il guadagno dell'amplificatore fino a quando il volume è al livello desiderato.

NOTA: Il miglior rapporto segnale-rumore e la massima gamma dinamica si ottengono con il guadagno al minimo. Per la maggior parte degli utenti, il guadagno e il volume ottimali sono circa a metà dell'intervallo di valori.

ATTENZIONE: Si consiglia di non selezionare un guadagno troppo alto per non avere troppo rumore e distorsione.

NOTA: Per una procedura di regolazione più dettagliata, vi preghiamo di contattare l'assistenza tecnica della Rockford.

Regolazione Della Frequenza Di Incrocio (illus.-3.1 & 3.2)

Posizionando l'interruttore di crossover sulla posizione HP (passa alto), l'amplificatore viene impostato sulla modalità passa alto 80 Hz, permettendo il passaggio di frequenze al di sopra della frequenza di interruzione.

Posizionando l'interruttore di crossover sulla posizione AP (passa tutto), l'amplificatore viene impostato in modalità passa tutto, evitando eventuali regolazioni di crossover e permettendo il passaggio di tutte le frequenze.

Posizionando l'interruttore di crossover sulla posizione LP (passa basso), l'amplificatore viene impostato sulla modalità passa basso regolabile tra 50 e 250 Hz, permettendo il passaggio di frequenze al di sotto della frequenza di interruzione. Ruotare la manopola di regolazione del crossover del tutto in basso. Con il sistema in funzione, ruotare la manopola di regolazione per aumentare la frequenza di crossover lentamente fino a raggiungere il punto di crossover desiderato. Un buon valore da cui iniziare è circa 80 Hz

Punch Bass (illus.-4.1)

Questo funziona assieme all'interruttore di crossover sull'amplificatore. Quando è impostato su operazione Low-Pass (LP), questo rappresenta un valore variabile di aumento dei bassi. Impostare il comando sul valore preferito mentre si ascolta.

ATTENZIONE: A livelli elevati di intensità si potrebbe raggiungere il limite della corsa, causando danni all'unità.

Comando Distanza Del Livello Punch

Quando è collegato, il "Gain Control" è collegata e vi permette di controllare in remoto il livello di uscita dell'amplificatore dal centro trattino o console.

Individuazione/Riparazione Guasti

NOTA: Se incontrate dei problemi dopo l'installazione, seguite le procedure per la localizzazione e la riparazione dei guasti elencate di sotto.

Step 1. Controllate che l'amplificatore abbia i collegamenti adeguati. Controllate che la spia dell'ACCENSIONE sia accesa. Se la spia di ACCENSIONE è accesa, passare al numero 3, altrimenti continuare

- Controllare il fusibile in linea sul cavo positivo della batteria. Sostituire, se necessario.
- Controllare il fusibile sull'amplificatore. Sostituire, se necessario.
- Controllate che la messa a terra sia collegata al metallo non verniciato del telaio del veicolo. Se necessario, effettuare riparazioni o sostituzioni.
- Controllate che ci siano dai 9 ai 14.4 volt di tensione al cavo positivo della batteria e al cavo di accensione del comando a distanza. Controllate che ci siano collegamenti di qualità per entrambi i cavi con l'amplificatore, l'impianto stereofonico e la batteria/portafusibili. Se necessario, effettuare riparazioni o sostituzioni.

Step 2. gli indicatori luminosi per la protezione o la temperatura sono accesi .

- Se l'indicatore di protezione è acceso, ciò può indicare un corto circuito nel collegamento con gli altoparlanti. Controllare che i diffusori siano collegati correttamente e servirsi di un voltmetro/ohmetro per verificare che non ci siano cortocircuiti nei loro collegamenti. L'indicatore di protezione si può accendere anche in caso di impedenza dell'altoparlante troppo bassa.
- Se la spia termica si accende, controllare che l'impedenza dei diffusori sia corretta e modificare il cablaggio se necessario. Ciò può anche indicare che si stanno fornendo all'amplificatore livelli di potenza molto alti senza adeguata ventilazione dell'unità. Spegnerne il sistema e lasciare che l'amplificatore si raffreddi. Controllare che l'impianto di carica del veicolo mantenga la tensione corretta. Se questi punti non correggono il problema, potrebbe esserci un guasto nell'amplificatore; per supporto, mettersi in contatto con l'assistenza clienti.

Step 3. Controllare le uscite audio dell'amplificatore.

- Controllare che sia il sistema stereofonico che l'amplificatore siano collegati correttamente all'entrata RCA. Controllare che lungo l'intera lunghezza dei cavi non ci siano attorcigliamenti, giunture, ecc. Verificare che alle entrate RCA non si abbia corrente alternata con il sistema stereofonico acceso. Se necessario, effettuare riparazioni o sostituzioni.
- Scollegare l'ingresso RCA dall'amplificatore. Collegare l'ingresso RCA al sistema stereofonico di prova direttamente all'ingresso dell'amplificatore.

Step 4. Controllate l'amplificatore se si verificasse uno schiocco al momento dell'accensione.

- Scollegate il segnale d'entrata verso l'amplificatore; spegnete e riaccendete l'amplificatore.
- Se il rumore venisse eliminato, collegate il cavo a tensione REMOTE dell'amplificatore all'unità di fonte con un modulo di accensione ad azione ritardata.

OPPURE

- Usate una fonte da 12 volt diversa per il cavo a tensione REMOTE dell'amplificatore (in altri termini, direttamente dalla batteria).
- Se il rumore venisse eliminato, usate un relé per isolare l'amplificatore da entrate ed uscite rumorose al momento dell'accensione.

Step 5. Controllate l'amplificatore se si verificasse un rumore eccessivo a livello del motore.

- Fate scorrere tutti i fili che portano segnali (RCA, cavi degli altoparlanti) lontano dalla tensione e dai fili della messa a terra.

OPPURE

- Bypassate tutte le componenti elettriche tra il sistema stereofonico e l'amplificatore(i). Collegate il sistema stereofonico direttamente all'entrata dell'amplificatore. Se il rumore sparisce, vuol dire che l'unità bypassata è la fonte del rumore.

OPPURE

- Rimuovete i fili della messa a terra esistenti per tutte le componenti elettriche. Ricollegateli alla terra in ubicazioni diverse. Controllate che l'ubicazione della messa a terra sia una superficie metallica pulita, senza verniciature, ruggine, ecc.

OPPURE

- Aggiungete un cavo secondario per la messa a terra dal terminale negativo della batteria al metallo del telaio o del monoblocco del veicolo.

OPPURE

- Fate esaminare sia l'alternatore che la carica della batteria dal vostro meccanico. Controllate che il sistema elettrico del veicolo sia funzionante, compreso il distributore, le candele, i fili delle candele, il regolatore di tensione, ecc.

Warranty

Rockford Corporation offers a limited warranty on Rockford Fosgate products on the following terms:

Length of Warranty

Speakers, Signal Processors, PRIME and PUNCH Amplifiers – 1 Year
POWER Amplifiers – 2 Years
Any Factory Refurbished Product – 90 days (receipt required)

What is Covered

This warranty applies only to Rockford Fosgate products sold to consumers by Authorized Rockford Fosgate Dealers in the United States of America or its possessions. Product purchased by consumers from an Authorized Rockford Fosgate Dealer in another country are covered only by that country's Distributor and not by Rockford Corporation.

Who is Covered

This warranty covers only the original purchaser of Rockford product purchased from an Authorized Rockford Fosgate Dealer in the United States. In order to receive service, the purchaser must provide Rockford with a copy of the receipt stating the customer name, dealer name, product purchased and date of purchase.

Products found to be defective during the warranty period will be repaired or replaced (with a product deemed to be equivalent) at Rockford's discretion.

What is Not Covered

1. Damage caused by accident, abuse, improper operations, water, theft, shipping.
2. Any cost or expense related to the removal or reinstallation of product.
3. Service performed by anyone other than Rockford or an Authorized Rockford Fosgate Service Center.
4. Any product which has had the serial number defaced, altered, or removed.
5. Subsequent damage to other components.
6. Any product purchased outside the U.S.
7. Any product not purchased from an Authorized Rockford Fosgate Dealer.

Limit on Implied Warranties

Any implied warranties including warranties of fitness for use and merchantability are limited in duration to the period of the express warranty set forth above. Some states do not allow limitations on the length of an implied warranty, so this limitation may not apply. No person is authorized to assume for Rockford Fosgate any other liability in connection with the sale of the product.

How to Obtain Service

Contact the Authorized Rockford Fosgate Dealer you purchased this product from. If you need further assistance, call 1-800-669-9899 for Rockford Customer Service. You must obtain an RA# (Return Authorization number) to return any product to Rockford Fosgate. You are responsible for shipment of product to Rockford.

EU Warranty

This product meets the current EU warranty requirements, see your Authorized dealer for details.