



Rockford Fosgate®



PUNCH™

4-CHANNEL AMPLIFIERS

P 400-4

P 500-4

Installation & Operation

Installation et fonctionnement
Instalación y funcionamiento
Einbau und Betrieb
Installazione e funzionamento

INTRODUCTION

Dear Customer,

Congratulations on your purchase of the world's finest brand of car audio amplifiers. At Rockford Fosgate we are fanatics about musical reproduction at its best, and we are pleased you chose our product. Through years of engineering expertise, hand craftsmanship and critical testing procedures, we have created a wide range of products that reproduce music with all the clarity and richness you deserve.

For maximum performance we recommend you have your new Rockford Fosgate product installed by an Authorized Rockford Fosgate Dealer, as we provide specialized training through Rockford Technical Training Institute (RTTI). Please read your warranty and retain your receipt and original carton for possible future use.

Great product and competent installations are only a piece of the puzzle when it comes to your system. Make sure that your installer is using 100% authentic installation accessories from Rockford Fosgate in your installation. Rockford Fosgate has everything from RCA cables and speaker wire to Power line and battery connectors. Insist on it! After all, your new system deserves nothing but the best.

To add the finishing touch to your new Rockford Fosgate image order your Rockford accessories, which include everything from T-shirts to jackets and hats.

To get a free brochure on Rockford Fosgate products and Rockford accessories, visit our web site at: www.rockfordfosgate.com or, in the U.S. call 1-800-669-9899 or FAX 1-800-398-3985.

For all other countries, call +001-480-967-3565 or FAX +001-480-967-8132.

PRACTICE SAFE SOUND™

Continuous exposure to sound pressure levels over 100dB may cause permanent hearing loss. High powered auto sound systems may produce sound pressure levels well over 130dB. Use common sense and practice safe sound.

If, after reading your manual, you still have questions regarding this product, we recommend that you see your Rockford Fosgate dealer. If you need further assistance, you can call us direct at 1-800-669-9899. Be sure to have your serial number, model number and date of purchase available when you call.

The serial number can be found on the outside of the box. Please record it in the space provided below as your permanent record. This will serve as verification of your factory warranty and may become useful in recovering your unit if it is ever stolen.

Serial Number: _____

Model Number: _____

TABLE OF CONTENTS

Introduction	2	Operation	10-11
Safety Instructions	3	Remote Punch EQ (Option)	10
Design Features	4	Punch EQ	10
Installation	5-9	Adjusting Crossover Frequency	10
Installation Considerations	5	2/4 Channel Switch	10
Mounting Locations	5	Adjusting Gain	11
Battery and Charging	6	Troubleshooting	11-12
Wiring the System	6	Specifications	12
		Limited Warranty Information	13

NOTE: Review each section for more detailed information.

©2007 Rockford Corporation. All rights reserved.

Rockford Fosgate, the Rockford Fosgate logo, the POWER logo and the PUNCH logo are either registered trademarks or trademarks of Rockford Corporation.

GETTING STARTED

Welcome to Rockford Fosgate! This manual is designed to provide information for the owner, salesperson and installer. For those of you who want quick information on how to install this product, please turn to the **Installation Section** of this manual. Other information can be located by using the Table of Contents. We, at Rockford Fosgate, have worked very hard to make sure all the information in this manual is current. But, as we are constantly finding new ways to improve our product, this information is subject to change without notice.

SAFETY INSTRUCTIONS

WARNING

This symbol with “**WARNING**” is intended to alert the user to the presence of important instructions. Failure to heed the instructions will result in severe injury or death.

CAUTION

This symbol with “**CAUTION**” is intended to alert the user to the presence of important instructions. Failure to heed the instructions can result in injury or unit damage.

 **CAUTION:** To prevent injury and damage to the unit, please read and follow the instructions in this manual. We want you to enjoy this system, not get a headache.

 **CAUTION** If you feel unsure about installing this system yourself, have it installed by a qualified Rockford Fosgate technician.

 **CAUTION** Before installation, disconnect the battery negative (-) terminal to prevent damage to the unit, fire and/or possible injury.

CONTENTS OF CARTON

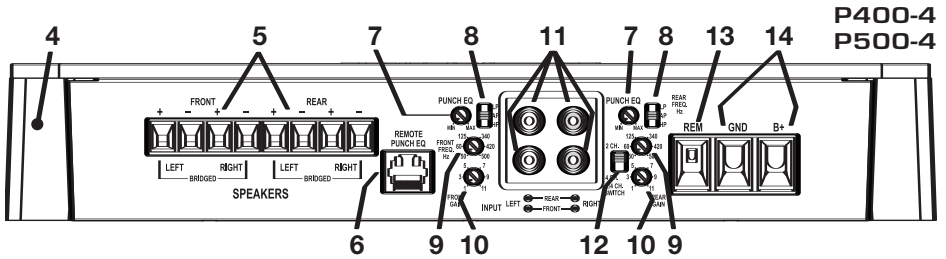
A Punch P400-4 or Punch P500-4
4-Channel Amplifier

Installation & Operation Manual
Mounting Hardware Kit

The hardware kit included with each amplifier contains the mounting hardware necessary to secure the amplifier to the vehicle.

Visit our web site for the latest information on all Rockford products.

www.rockfordfosgate.com



1. **Power LED (Top of unit - Not Shown)** – This Blue LED illuminates when the unit is turned on.
2. **Thermal LED (Top of unit - Not Shown)** – This Red LED illuminates if the amplifier internal components become too hot and engage the thermal protection. The amplifier will shut down to cool if this occurs.
3. **Protect LED (Top of unit - Not Shown)** – This Yellow LED illuminates if a short circuit or too low of an impedance is detected at the speaker connections. The amplifier will automatically shut down if this occurs.
4. **Cast Aluminum Heatsink** – The cast aluminum heatsink of the Punch amplifier dissipates heat generated by the amplifier's circuitry.
5. **Speaker Terminals** – The heavy duty, nickel-plated clamp wire connectors (+ and -) will accept wire sizes from 8 AWG to 18 AWG.
6. **Remote Punch EQ (Optional Controller)** – The Remote Punch EQ connection is made with a RJ-45 cable and can be installed in a variety of ways for easy control access. The control is used to boost low and/or high frequency information to overcome road noise. The remote overrides the Punch EQ rear channel control on the amplifier when connected.

NOTE: Previous Punch Bass and Para-Punch remotes will not work with these amplifiers.

7. **Punch EQ** – A Gyrator based Punch EQ that eliminates frequency shift with boost. This works along with the crossover switch on the amplifier. When set to Low-Pass (LP) operation, this is a variable Bass Boost. When set to High-Pass (HP) operation, this is a variable Mid-Bass and Treble Boost. When set to All Pass (AP) operation, both the Bass and Treble frequencies are boosted.
8. **Crossover Switch** – Selectable switch for High-Pass (HP), All Pass (AP), or Low-Pass (LP) operation.
9. **Variable Crossover** – Is a built-in 12dB/octave Butterworth filter with a crossover point variable from 50Hz to 500Hz.
10. **Gain Control** – The input gain control is preset to match the output of most source units. It can be adjusted to match output levels from a variety of source units.
11. **RCA Input Jacks** – The industry standard RCA jacks provide an easy connection for signal level input. They are nickel-plated to resist the signal degradation caused by corrosion.
12. **2/4 Channel Switch** – Setting this switch to the 2CH. position, switches the inputs to a 2-channel mode, allowing connection to only the front inputs with a 4-channel output.
13. **REM Terminal** – The heavy duty, nickel-plated captive c-clamp wire connector will accept wire sizes from 12 AWG to 24 AWG. This terminal is used to remotely turn-on and turn-off the amplifier when +12V DC is applied.
14. **Power Terminals** – The power and ground are nickel-plated captive c-clamp wire connectors and will accommodate up to 4 AWG wire.

INSTALLATION CONSIDERATIONS


The following is a list of tools needed for installation:

Fuse-holder and fuse. (See specifications for fuse rating)	Battery post wrench
Volt/Ohm Meter	Hand held drill w/assorted bits
Wire strippers	1/8" diameter heatshrink tubing
Wire crimpers	Assorted connectors
Wire cutters	Adequate Length—Red Power Wire
#2 Phillips screwdriver	Adequate Length—Remote Turn-on Wire
	Adequate Length—Black Grounding Wire

NOTE: We recommend a 4 AWG wire for use on the power (B+) and ground (GND) connections.

This section focuses on some of the vehicle considerations for installing your new amplifier. Pre-planning your system layout and best wiring routes will save installation time. When deciding on the layout of your new system, be sure that each component will be easily accessible for making adjustments.

 **CAUTION:** If you feel unsure about installing this system yourself, have it installed by a qualified technician.

 **CAUTION:** Before installation, disconnect the battery negative (-) terminal to prevent damage to the unit, fire and/or possible injury.

Before beginning any installation, follow these simple rules:

1. Be sure to carefully read and understand the instructions before attempting to install the unit.
2. For safety, disconnect the negative lead from the battery prior to beginning the installation.
3. For easier assembly, we suggest you run all wires prior to mounting your unit in place.
4. Route all of the RCA cables close together and away from any high current wires.
5. Use high quality connectors for a reliable installation and to minimize signal or power loss.
6. Think before you drill! Be careful not to cut or drill into gas tanks, fuel lines, brake or hydraulic lines, vacuum lines or electrical wiring when working on any vehicle.
7. Never run wires underneath the vehicle. Running the wires inside the vehicle provides the best protection.
8. Avoid running wires over or through sharp edges. Use rubber or plastic grommets to protect any wires routed through metal, especially the firewall.
9. ALWAYS protect the battery and electrical system from damage with proper fusing. Install the appropriate fuse holder and fuse on the +12V power wire within 18" (45.7 cm) of the battery terminal.
10. When grounding to the chassis of the vehicle, scrape all paint from the metal to ensure a good, clean ground connection. Grounding connections should be as short as possible and always be connected to metal that is welded to the main body, or chassis, of the vehicle.

MOUNTING LOCATIONS

Engine Compartment

Never mount this unit in the engine compartment. Mounting the unit in the engine compartment will void your warranty.

Trunk Mounting

Mounting the amplifier vertically or inverted will provide adequate cooling of the amplifier.

Mounting the amplifier on the floor of the trunk will provide the best cooling of the amplifier.

INSTALLATION

Passenger Compartment Mounting

Mounting the amplifier in the passenger compartment will work as long as you provide a sufficient amount of air for the amplifier to cool itself. If you are going to mount the amplifier under the seat of the vehicle, you must have at least 1" (2.54cm) of air gap around the amplifier's heatsink.

Mounting the amplifier with less than 1" (2.54cm) of air gap around the amplifier's heatsink in the passenger compartment will not provide proper cooling and will severely affect the performance of the amplifier and is strongly not recommended.

BATTERY AND CHARGING

Amplifiers will put an increased load on the vehicle's battery and charging system. We recommend checking your alternator and battery condition to ensure that the electrical system has enough capacity to handle the increased load of your stereo system. Stock electrical systems which are in good condition should be able to handle the extra load of any Punch Series amplifier without problems, although battery and alternator life can be reduced slightly. To maximize the performance of your amplifier, we suggest the use of a heavy duty battery and an energy storage capacitor.

WIRING THE SYSTEM

CAUTION: If you do not feel comfortable with wiring your new unit, please see your local Authorized Rockford Fosgate Dealer for installation.

CAUTION: Before installation, disconnect the battery negative (-) terminal to prevent damage to the unit, fire and/or possible injury.

CAUTION: Avoid running power wires near the low level input cables, antenna, power leads, sensitive equipment or harnesses. The power wires carry substantial current and could induce noise into the audio system.

1. Plan the wire routing. Keep RCA cables close together but isolated from the amplifier's power cables and any high power auto accessories, especially electric motors. This is done to prevent coupling the noise from radiated electrical fields into the audio signal. When feeding the wires through the firewall or any metal barrier, protect them with plastic or rubber grommets to prevent short circuits. Leave the wires long at this point to adjust for a precise fit at a later time.

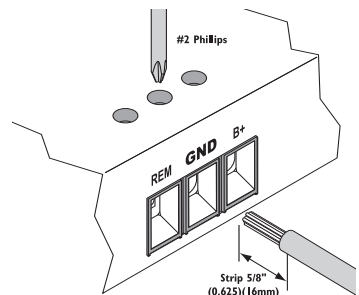
NOTE: We recommend a 4 AWG wire for use on the power (B+) and ground (GND) connections.

2. Prepare the RED wire (power cable) for attachment to the amplifier by stripping 5/8" of insulation from the end of the wire. Insert the bared wire into the B+ terminal and tighten the set screw to secure the cable in place.

NOTE: The B+ cable MUST be fused 18" or less from the vehicle's battery. Install the fuseholder under the hood and ensure connections are water tight.

3. Trim the RED wire (power cable) within 18" of the battery and splice in a inline fuse holder (not supplied). See Specifications for the rating of the fuse to be used. **DO NOT install the fuse at this time.**
4. Strip 1/2" from the battery end of the power cable and crimp a large ring terminal to the cable. Use the ring terminal to connect to the battery positive terminal.
5. Prepare the BLACK wire (Ground cable) for attachment to the amplifier by stripping 5/8" of insulation from the end of the wire. Insert the bare wire into the GROUND terminal and tighten the set screw to secure the cable in place. Prepare the chassis ground by scraping any paint from the metal surface and thoroughly clean the area of all dirt and grease. Strip the other end of the wire and attach a ring connector. Fasten the cable to the chassis using a non-anodized screw and a star washer.

NOTE: Keep the length of the BLACK wire (Ground) as short as possible. Always less than 30" (76.2cm).



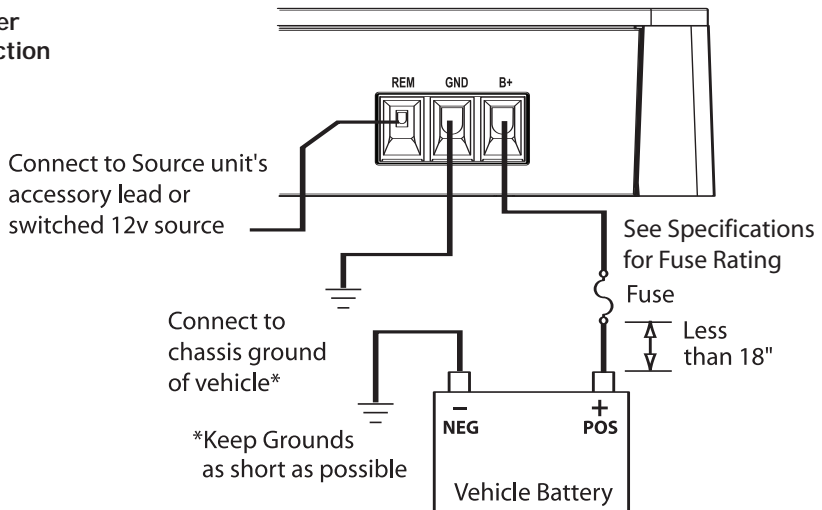
6. Prepare the Remote turn-on wire for for attachment to the amplifier by stripping 5/8" of insulation from the end of the wire. Insert the bared wire into the REMOTE terminal and tighten the set screw to secure the wire in place. Connect the other end of the Remote wire to a switched 12 volt positive source. The switched voltage is usually taken from the source unit's remote amp on lead. If the source unit does not have this output available, the recommended solution is to wire a mechanical switch in line with a 12 volt source to activate the amplifier.
 7. Securely mount the amplifier to the vehicle or amp rack. Be careful not to mount the amplifier on cardboard or plastic panels. Doing so may enable the screws to pull out from the panel due to road vibration or sudden vehicle stops.
 8. Connect from source signal by plugging the RCA cables into the input jacks at the amplifier.
- NOTE:** All "ACTIVE" inputs must have RCA jacks connected. Switch in 2CH. position, "ACTIVE" - Front channel inputs only. Switch in 4CH. position, "ACTIVE" - All Front and Rear channel inputs. When connecting to the 4-Channel inputs, be sure to route both front and rear RCA cables tightly together.

CAUTION: Always ensure power is off or disconnected at the amplifier before connecting RCA cables. Failure to do so may cause injury, damage to the amplifier and/or connected components.

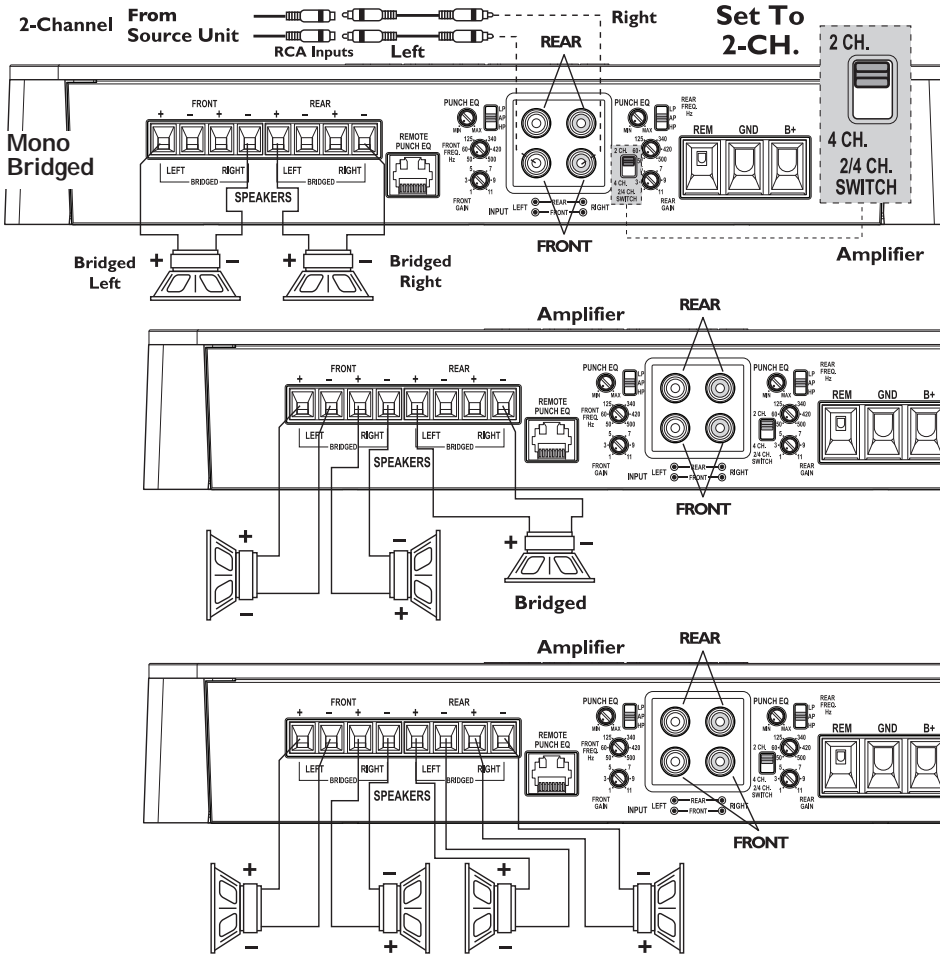
9. Connect the speakers. Strip the speaker wires 1/2" and insert into the speaker terminal and tighten the set screw to secure into place. Be sure to maintain proper speaker polarity. DO NOT chassis ground any of the speaker leads as unstable operation may result.
10. Perform a final check of the completed system wiring to ensure that all connections are accurate. Check all power and ground connections for frayed wires and loose connections which could cause problems. Install inline fuse near battery connection.

NOTE: Follow the diagrams for proper signal polarity.

Power Connection

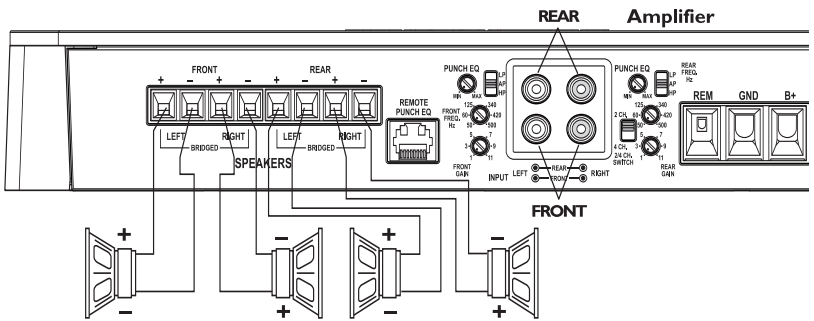
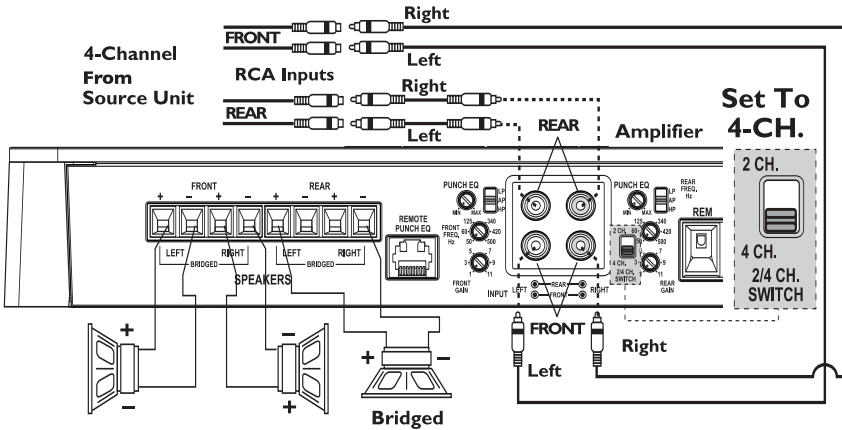


2-Channel Wiring

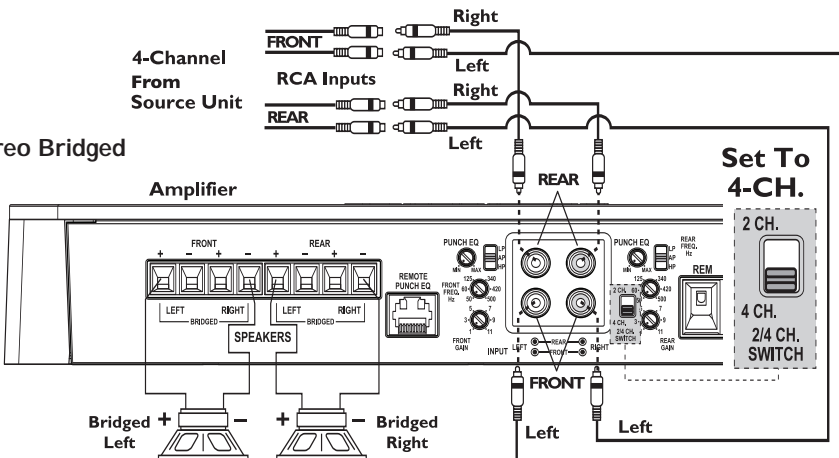


- **RCA Inputs** connect to FRONT inputs only.
- **2/4 CH. SWITCH** up position to set to 2 CH.
- **Gain (Front & Rear)** - is set independently to suit application.
- **Crossover (Front & Rear)** - is set independently to suit application.

4-Channel Wiring



Stereo Bridged



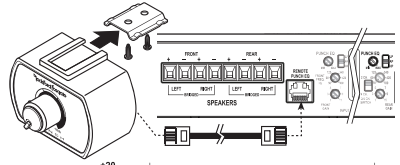
- 2/4 CH. SWITCH down position to set to 4 CH.
- Gain (Front & Rear) - is set independently to suit application.
- Crossover (Front & Rear) - is set independently to suit application.

OPERATION

REMOTE PUNCH EQ (Optional)

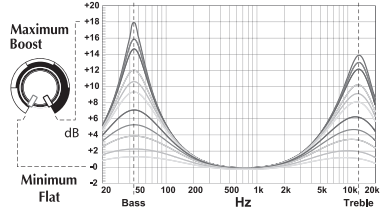
NOTE: Previous Punch Bass and Para-Punch remotes will not work with these amplifiers.

NOTE: Use the instructions that came with the remote for a variety of mountings that fit your preference.



Quick Install

1. Using the screws supplied, install the mounting clip.
2. Slip the remote onto the mounting clip until it snaps into place.
3. Route and connect the cable to the remote and amplifier.



Operation

4. Operation works the same as Punch EQ, see below.

NOTE: Connecting the optional remote overrides the Punch EQ rear channel control on the amplifier.

CAUTION: Overexcursion and subsequent damage may occur at high levels of boost.

PUNCH EQ

This works along with the crossover switch on the amplifier.

When set to Low-Pass (LP) operation, this is a variable Bass Boost.

When set to High-Pass (HP) operation, this is a variable Mid-Bass and Treble Boost.

When set to All Pass (AP) operation, both the Bass and Treble frequencies are boosted.

Set this to your personal preference while listening to the system.

NOTE: Connecting the optional remote overrides the Punch EQ rear channel control on the amplifier.

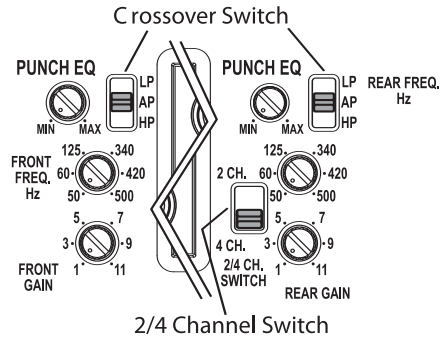
ADJUSTING CROSSOVER FREQUENCY

Do the following individually for each channel.

Placing the crossover switch in the HP position sets the amplifier to the High Pass mode, enabling frequencies above the cut-off point to pass, adjustable between 50-500Hz.

Placing the crossover switch in the AP position sets the amplifier to the All Pass mode, preventing any crossover adjustment, allowing all frequencies to pass.

Placing the crossover switch in the LP position sets the amplifier to the Low Pass mode, enabling frequencies below the cut-off point to pass, adjustable between 50-500Hz.



Turn the crossover adjustment knob all the way down. With the system playing, turn the crossover adjustment knob up slowly until the desired crossover point is achieved.

2/4 CHANNEL SWITCH

Setting this switch to the 2CH. position, switches the inputs to a 2-channel mode, allowing connection to only the front inputs with a 4-channel output.

Output controls function the same as if the amplifier was in 4-channel mode.

All "ACTIVE" inputs must have RCA jacks connected.

Switch in 2CH. position, "ACTIVE" - Front channel inputs only.

Switch in 4CH. position, "ACTIVE" - All Front and Rear channel inputs.

NOTE: When connecting to the 4-Channel inputs, be sure to route both front and rear RCA cables tightly together.

ADJUSTING GAIN

Do the following individually for each channel.

To adjust the gain setting, turn the amplifier gains all the way down (counter-clockwise). Turn the source unit volume up until distortion is audible and then turn it down a bit until the distortion is inaudible. This will be about all the way up on most source units. Next, increase the amplifier gain setting until adequate volume is achieved.

NOTE: Best signal to noise and dynamic range are realized with the gain at minimum. Most users find adequate gain and volume is achieved at about halfway in the adjustment range.

 **CAUTION:** Avoid setting the amplifier gain very high as noise and distortion will increase significantly.

NOTE: For a more in depth setting procedure, contact Rockford Technical Support.

TROUBLESHOOTING

NOTE: If you are having problems after installation follow the Troubleshooting procedures below.

Procedure 1: Check Amplifier for proper connections.

Verify that POWER light is on. If POWER light is on skip to Step 3, if not continue.

1. Check in-line fuse on battery positive cable. Replace if necessary.
2. Check fuse(s) on amplifier. Replace if necessary.
3. Verify that Ground connection is connected to clean metal on the vehicle's chassis. Repair/replace if necessary.
4. Verify there is 9 to 16 Volts present at the positive battery and remote turn-on cable. Verify quality connections for both cables at amplifier, stereo, and battery/fuseholder. Repair/replace if necessary.

Procedure 2: Protect or Thermal light is on.

1. If the Protect light is on, this is a sign of a possible short in the speaker connections. Check for proper speaker connections and use an ohm meter to check for possible shorts in the speaker wiring. Too low of a speaker impedance may also cause Protect to light.
2. If the Thermal light is on, check for proper speaker impedance, rewire if needed. This can also be a sign of driving the amplifier at very high power levels without adequate airflow around the amplifier. Shut off the system and allow amplifier to cool. Check that the vehicle charging system is maintaining proper voltage. If the previous items do not solve the problem, a fault may be in the amplifier, call customer service for support.

Procedure 3: Check Amplifier for audio output.

1. Verify good RCA input connections at stereo and amplifier. Check entire length of cables for kinks, splices, etc. Test RCA inputs for AC volts with stereo on. Repair/replace if necessary.
2. Disconnect RCA input from amplifier. Connect RCA input from test stereo directly to amplifier input.

Procedure 4: Check Amplifier if you experience Turn-on Pop.

1. Disconnect input signal to amplifier and turn amplifier on and off.
2. If the noise is eliminated, connect the REMOTE lead of amplifier to source unit with a delay turn-on module.

OR

1. Use a different 12 Volt source for REMOTE lead of amplifier (i.e. battery direct).
2. If the noise is eliminated, use a relay to isolate the amplifier from noisy turn-on output.

Procedure 5: Check Amplifier if you experience excess Engine Noise.

1. Route all signal carrying wires (RCA, Speaker cables) away from power and ground wires.

OR

TROUBLESHOOTING

2. Bypass any and all electrical components between the stereo and the amplifier(s). Connect stereo directly to input of amplifier. If noise goes away the unit being bypassed is the cause of the noise.

OR

3. Remove existing ground wires for all electrical components. Reground wires to different locations. Verify that grounding location is clean, shiny metal free of paint, rust etc.

OR

4. Add secondary ground cable from negative battery terminal to the chassis metal or engine block of vehicle.

OR

5. Have alternator and battery load tested by your mechanic. Verify good working order of vehicle electrical system including distributor, spark plugs, spark plug wires, voltage regulator etc.

SPECIFICATIONS

MODEL- Punch	P400-4	P500-4
Continuous Power Rating (RMS) - Measured at 14.4 Battery Volts		
4 Ω Load Per Channel	50 Watts x 4	60 Watts x 4
2 Ω Load Per Channel	100 Watts x 4	125 Watts x 4
4 Ω Load Bridged	200 Watts x 2	250 Watts x 2
Dimensions:	Height	2.25" (5.71cm)
	Width	7.625" (19.37cm)
	Length	13.02" (33.07cm)
Battery Fuse Rating (Amp) External (Not Supplied)	80A	100A
"A" Weighted Signal to Noise Ratio Referenced to 1 Watt into 4 ohms		85 dB
"A" Weighted Signal to Noise Ratio Referenced to rated output into 4 ohms		105 dB
Crossover Slope	12dB/octave Butterworth	
Crossover Frequency	variable from 50Hz to 500Hz	
Frequency Response	20Hz to 20kHz \pm 1dB	
Signal Voltage Adjustment Range	Variable from 150mV to 4V (RCA Input)	
Protection	NOMAD - Internal analog-computer output protection circuitry limits power in case of overload, plus short protection. Thermal switch shuts down the amplifier in case of overheating.	
Equalization PEQ (Punch Equalization)	Variable from 0dB to +18dB @ 45Hz and/or 0dB to +12dB @ 12kHz	
Input Impedance	20K ohms	
Operating Voltage	9 to 16 Volts DC	
Balanced Inputs	Yes	
CMRR (Common Mode Rejection Ratio)	>55dB @ 1kHz	
Damping Factor	>200	
THD+N (Total Harmonic Distortion + Noise)	< 0.1 @ 2-ohm and < 0.05 @ 4-ohm	



These specifications are Amplifier Power Standard CEA-2006 Compliant

Specifications subject to change without notice

Rockford Corporation offers a limited warranty on Rockford Fosgate products on the following terms:

Length of Warranty

Source Units, Speakers, Signal Processors and PUNCH Amplifiers – 1 Year

POWER Amplifiers – 2 Years

Any Factory Refurbished Product – 90 days (receipt required)

What is Covered

This warranty applies only to Rockford Fosgate products sold to consumers by Authorized Rockford Fosgate Dealers in the United States of America or its possessions. Product purchased by consumers from an Authorized Rockford Fosgate Dealer in another country are covered only by that country's Distributor and not by Rockford Corporation.

Who is Covered

This warranty covers only the original purchaser of Rockford product purchased from an Authorized Rockford Fosgate Dealer in the United States. In order to receive service, the purchaser must provide Rockford with a copy of the receipt stating the customer name, dealer name, product purchased and date of purchase.

Products found to be defective during the warranty period will be repaired or replaced (with a product deemed to be equivalent) at Rockford's discretion.

What is Not Covered

1. Damage caused by accident, abuse, improper operations, water, theft, shipping
2. Any cost or expense related to the removal or reinstallation of product
3. Service performed by anyone other than Rockford or an Authorized Rockford Fosgate Service Center
4. Any product which has had the serial number defaced, altered, or removed
5. Subsequent damage to other components
6. Any product purchased outside the U.S.
7. Any product not purchased from an Authorized Rockford Fosgate Dealer

Limit on Implied Warranties

Any implied warranties including warranties of fitness for use and merchantability are limited in duration to the period of the express warranty set forth above. Some states do not allow limitations on the length of an implied warranty, so this limitation may not apply. No person is authorized to assume for Rockford Fosgate any other liability in connection with the sale of the product.

How to Obtain Service

Contact the Authorized Rockford Fosgate Dealer you purchased this product from.

If you need further assistance, call 1-800-669-9899 for Rockford Customer Service. You **must** obtain an **RA# (Return Authorization number)** to return any product to Rockford Fosgate. You are responsible for shipment of product to Rockford.

EU Warranty

This product meets the current EU warranty requirements, see your Authorized dealer for details.

INTRODUCTION

Cher client,

Français

Toutes nos félicitations pour avoir acheté la meilleure marque d'amplificateurs pour automobile. Chez Rockford Fosgate nous sommes des mordus de la reproduction musicale à son meilleur. C'est pourquoi nous sommes heureux que vous ayez choisi notre produit. Des années d'expertise en ingénierie, de savoir-faire et d'essais poussés nous ont permis de créer une vaste gamme de produits capables de reproduire toute la clarté et la richesse musicales que vous méritez.

Pour obtenir les meilleurs résultats, nous vous recommandons de faire installer votre nouvel appareil par un distributeur agréé Rockford Fosgate formé spécialement par notre Institut de formation technique Rockford (RTTI). Prenez soin de lire la garantie et conservez votre reçu ainsi que l'emballage d'origine pour usage ultérieur.

Pour monter un excellent système, il ne suffit pas de posséder un super produit et d'assurer une installation qualifiée compétente. Vous devez veiller à ce que votre installateur utilise des accessoires d'origine fournis par Rockford Fosgate. Rockford Fosgate a tout ce qu'il vous faut, des câbles RCA aux câbles de haut-parleur, en passant par les câbles d'alimentation et les connecteurs de batterie. Insistez pour les avoir! Après tout, votre nouveau système ne mérite rien de moins.

Pour compléter votre nouvelle image Rockford Fosgate, commandez des accessoires Rockford tels que T-shirts, vestes, chapeaux et lunettes de soleil.

Pour obtenir une brochure gratuite sur les produits Rockford Fosgate et les accessoires Rockford, Visitez notre site Web : www.rockfordfosgate.com

ou, aux États-Unis, appelez le 1-800-669-9899 ou envoyez un fax au 1-800-398-3985.

Pour tous les autres pays, appelez le +001-480-967-3565 ou faxez au +001-480-967-8132.

PRATIQUEZ UNE ÉCOUTE SANS RISQUES^{MD}

Une exposition continue à des niveaux de pression acoustique supérieurs à 100 dB peut causer une perte d'acuité auditive permanente. Les systèmes audio de forte puissance pour auto peuvent produire des niveaux de pression acoustique bien au-delà de 130 dB.

Faites preuve de bon sens et pratiquez une écoute sans risques

Si vous avez encore des questions à propos de ce produit, même après avoir lu ce manuel, contactez votre distributeur agréé Rockford Fosgate. Si vous avez besoin d'aide, appelez-nous au 1-800-669-9899. Veuillez avoir les numéros de modèle et de série, ainsi que la date d'achat de l'appareil à portée de main lorsque vous appelez.

Le numéro de série est indiqué sur l'extérieur de l'emballage. Veuillez l'inscrire ci-dessous dans l'espace réservé à cet effet. Il permettra de vérifier votre garantie et de retrouver votre appareil en cas de vol.

Numéro de série : _____

Numéro de modèle : _____

TABLE DES MATIÈRES

Introduction	2	Fonctionnement	10-11
Consignes de sécurité	3	Télécommande d'égaliseur Punch (option)	10
Particularités techniques	4	Égaliseur Punch	10
Installation	5-9	Réglage de la fréquence du filtre passif	10
Considérations concernant l'installation	5	Commutateur de canal 2/4	10
Emplacements de montage	5	Réglage du gain	11
Batterie et charge	6	Dépannage	11-12
Câblage du système	6	Caractéristiques	12
		Informations sur la garantie limitée	13

NOTE : consultez chaque section pour de plus amples informations.

©2007 Rockford Corporation. Tous droits réservés.

Rockford Fosgate, le logo Rockford Fosgate, le logo POWER et le logo PUNCH sont des marques déposées ou des marques de commerce de Rockford Corporation.

AVANT DE COMMENCER

Bienvenue à Rockford Fosgate ! Ce manuel vise à informer le propriétaire, le vendeur et l'installateur de l'appareil. Si vous désirez apprendre rapidement comment installer ce produit, consultez la section Installation du manuel. Reportez-vous à la Table des matières pour d'autres informations. Nous nous efforçons de faire en sorte que toutes les informations contenues dans ce manuel soient à jour. Mais comme nous améliorons constamment nos produits, nous nous réservons le droit de modifier ces informations sans aucun préavis.


CONSIGNES DE SÉCURITÉ


AVERTISSEMENT


Le symbole accompagnant le mot « **AVERTISSEMENT** » signale à l'utilisateur la présence d'instructions importantes. Le non-respect de ces instructions causera des blessures graves ou la mort.

MISE EN GARDE

Le symbole accompagnant l'expression « **MISE EN GARDE** » signale à l'utilisateur la présence d'instructions importantes. Le non-respect de ces instructions peut causer des blessures ou endommager l'appareil.

 **MISE EN GARDE :** pour éviter des blessures et ne pas endommager l'appareil, veuillez lire et suivre les instructions du manuel. Nous espérons que ce système vous procurera du plaisir et non des tracas.

 **MISE EN GARDE :** si vous vous sentez incapable d'installer l'appareil vous-même, confiez la tâche à un technicien Rockford Fosgate qualifié.

 **MISE EN GARDE :** avant d'entamer l'installation, déconnectez la broche négative (-) de la batterie pour éviter tout risque de blessures, d'incendie ou de dommages à l'appareil.

CONTENU DE L'EMBALLAGE

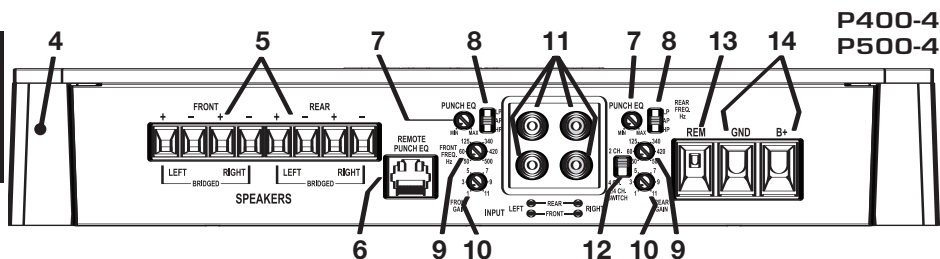
Amplificateur Punch à 4 voies modèle P400-4
ou P500-4

Manuel d'installation et d'utilisation
Kit de matériel de montage

Le kit de matériel inclus avec chaque amplificateur contient le matériel de montage nécessaire pour fixer l'ampli au véhicule.

Visitez notre site Web pour obtenir les dernières informations sur tous les produits Rockford.

www.rockfordfosgate.com



P400-4
P500-4

- DEL d'alimentation (au-dessus de l'appareil - non montré)** – Cette DEL bleue s'allume lorsque l'appareil est allumé.
- DEL thermique (au-dessus de l'appareil - non illustré)** - Cette DEL rouge s'allume si les composants internes de l'ampli surchauffent et déclenchent la protection thermique. Si cela se produit, l'ampli s'éteint pour refroidir.
- DEL de protection (au-dessus de l'appareil - non montré)** - Cette DEL jaune s'allume si un court-circuit ou une impédance trop basse est détecté au niveau des connexions de haut-parleur. L'ampli s'éteint automatiquement si cela se produit.
- Dissipateur thermique en aluminium coulé** – Le dissipateur thermique en aluminium coulé de l'amplificateur dissipe la chaleur générée par les circuits de l'amplificateur.
- Bornes de haut-parleur** - Les connecteurs de fil robustes nickelés (+ et -) acceptent des câbles de calibre 8 à 18 AWG.
- Télécommande d'égaliseur Punch (télécommande en option)** - La connexion de la télécommande d'égaliseur Punch se fait à l'aide d'un câble RJ-45 et peut être effectuée de différentes façons de manière à permettre un accès facile. Cette commande permet d'amplifier les basses et hautes fréquences afin de couvrir le bruit de la route. Une fois connectée, la télécommande remplace la commande du canal arrière par l'égaliseur Punch sur l'ampli.

REMARQUE : Les modèles précédents (antérieurs à 2007) de télécommandes de basses Punch et Para-Punch ne fonctionneront pas avec ces amplificateurs.

- Égaliseur Punch** - Égaliseur Punch à base de gyrateur permettant d'éliminer le déplacement de fréquence produit par l'amplification. Fonctionne de pair avec le commutateur de filtre passif. Assure une amplification variable des basses en mode LP (passe-bas). Assure une amplification variable des médium/basses et des aigus en mode HP (passe-haut). En mode AP (passe-tout), les fréquences des basses et des aigus sont amplifiées.
- Commutateur de filtre passif** - Commutateur sélectable permettant de sélectionner les modes passe-haut (HP), passe-tout (AP) ou passe-bas (LP).
- Filtre variable** – Les amplificateurs sont dotés d'un filtre de Butterworth intégré de 12 dB/octave dont le point de fréquence varie entre 50 Hz et 500 Hz.
- Commande de gain** – La commande de gain d'entrée est pré-réglée de manière à correspondre à la sortie de la plupart des unités source. Elle peut être réglée en fonction d'une variété d'unités source.
- Prises d'entrée RCA** – Les prises RCA de norme industrielle permettent une connexion facile pour les entrées de signaux. Ils sont plaqués de nickelés pour résister à la détérioration de signal due à l'effet de la corrosion.
- Commutateur de canal 2/4** - Lorsqu'il est mis à la position 2CH., ce commutateur passe en mode 2 canaux, ce qui permet une connexion aux entrées avant seulement en présence d'une sortie à 4 canaux.
- Borne REM** - Le connecteur de fil robuste nickelé en C accepte des câbles de calibre 12 à 24 AWG. Cette borne permet d'allumer et d'éteindre à distance l'amplificateur lorsqu'un courant de +12V c.c. est envoyé.
- Bornes d'alimentation** - Les connexions d'alimentation et de masse sont nickelées et peuvent accueillir des câbles de calibre allant jusqu'à 4 AWG.



CONSIDÉRATIONS CONCERNANT L'INSTALLATION

Voici la liste d'outils requis pour l'installation :

Porte-fusible et fusible. (Voir les spécifications concernant la capacité des fusibles)	Clé de borne de batterie
Voltmètre-ohmmètre	Perceuse à main avec mèches assorties
Pince à dénuder	Tube thermorétractible de 1/8 po de diamètre
Pince à sertir	Connecteurs assortis
Coupe-fils	Longueur adéquate — Fil d'alimentation rouge
Tournevis à embout cruciforme n° 2	Longueur adéquate — Fil d'allumage à distance
	Longueur adéquate — Fil de masse noir

REMARQUE : Nous recommandons l'utilisation d'un fil de 4 AWG pour les prises d'alimentation (B+) et de masse (GND).

Cette section traite de points concernant le véhicule dont il faut tenir compte pour l'installation de votre nouvel ampli. Vous sauvez du temps en planifiant à l'avance la disposition du système et du câblage. Assurez-vous, entre autres, que chaque composant du système est facilement accessible pour les réglages.

-  **MISE EN GARDE :** si vous vous sentez incapable d'installer l'appareil vous-même, confiez la tâche à un technicien qualifié.
-  **MISE EN GARDE :** avant d'entamer l'installation, déconnectez la broche négative (-) de la batterie pour éviter tout risque de blessures, d'incendie ou de dommages à l'appareil.

Avant de commencer l'installation, suivez ces règles toutes simples :

1. Prenez soin de bien lire et comprendre les instructions avant d'installer l'appareil.
2. Par mesure de sécurité, veuillez débrancher le fil négatif de la batterie avant de commencer l'installation.
3. Pour faciliter le montage, nous vous suggérons de dérouler tous les fils avant d'installer l'appareil.
4. Acheminez tous les câbles RCA de façon groupée, à l'écart des fils à courant élevé.
5. Utilisez des connecteurs de haute qualité pour assurer une installation fiable et minimiser la perte de signal ou de puissance.
6. Réfléchissez avant de percer quoique ce soit! Faites attention de ne pas couper ou percer le réservoir d'essence, les conduites de carburant, de frein, hydrauliques ou de dépression, ou le câblage électrique lorsque vous travaillez sur un véhicule.
7. Ne faites jamais passer les fils sous le véhicule. Il vaut mieux les installer à l'intérieur du véhicule pour assurer une meilleure protection.
8. Évitez de faire passer les fils par dessus ou à travers des bords tranchants. Tout fil acheminé à travers du métal, un pare-feu en particulier, doit être protégé avec des bagues en caoutchouc ou plastique.
9. Protégez TOUJOURS la batterie et le circuit électrique des dommages potentiels à l'aide de fusibles. Installez un porte-fusible et un fusible appropriés sur le câble d'alimentation de +12 V à moins de 45,7 cm (18 po) de la borne de batterie.
10. Préparez la masse du châssis en grattant toute trace de peinture de la surface métallique afin d'assurer une bonne mise à la masse. Les connexions de masse doivent être aussi courtes que possible et toujours connectées à du métal soudé à la carrosserie ou au châssis du véhicule.

EMPLACEMENTS DE MONTAGE

Compartment moteur

Ne montez jamais cet appareil dans le compartiment moteur. Cela entraînerait l'annulation de la garantie.

Montage dans le coffre

Un montage vertical ou inversé de l'ampli assure un refroidissement adéquat.

Le montage de l'ampli sur le plancher du coffre assure un refroidissement optimal.

INSTALLATION

Montage dans l'habitacle

Le montage de l'ampli dans l'habitacle passager est acceptable à condition qu'il reçoive suffisamment d'air pour se refroidir. Si vous comptez installer l'ampli sous le siège du véhicule, prévoyez un écartement d'au moins 2,54 cm (1 po) autour du dissipateur thermique de l'ampli.

Un écartement inférieur à cela n'assure pas un refroidissement satisfaisant, nuit à la performance de l'ampli et est, pas conséquent, fortement déconseillé.

BATTERIE ET CHARGE

Les amplificateurs exercent une charge accrue sur la batterie et le système de charge du véhicule. Nous vous conseillons de vérifier l'état de l'alternateur et de la batterie pour vous assurer que le système électrique puisse supporter la charge accrue de votre système stéréo. Les systèmes électriques ordinaires en bon état sont normalement capables de fournir sans problème la charge supplémentaire requise par les amplis Punch. Toutefois, la durée de vie de la batterie et de l'alternateur peut s'en trouver affectée légèrement. Pour maximiser la performance de votre ampli, nous vous suggérons d'utiliser une batterie à usage intensif et un condensateur de stockage d'énergie.

CÂBLAGE DU SYSTÈME

- ⚠ MISE EN GARDE :** si vous ne vous sentez pas à l'aise pour effectuer vous-même le câblage de votre nouvel appareil, veuillez confier l'installation à votre distributeur agréé Rockford Fosgate.
- ⚠ MISE EN GARDE :** avant d'entamer l'installation, déconnectez la broche négative (-) de la batterie pour éviter tout risque de blessures, d'incendie ou de dommages à l'appareil.
- ⚠ MISE EN GARDE :** évitez de faire passer les fils d'alimentation près des câbles d'entrée de signaux faibles, de l'antenne, des câbles d'alimentation, des équipements ou faisceaux sensibles. Les fils d'alimentation transportent un courant élevé et peuvent produire du bruit dans le système audio.

1. Planifiez l'acheminement des fils. Gardez les câbles RCA ensemble mais en les isolant des câbles d'alimentation de l'ampli et des autres accessoires automobiles de forte puissance, particulièrement les moteurs électriques, pour éviter que le signal audio ne subisse d'interférence de bruit provenant de champs de rayonnement électriques. Si vous faites passer les fils par un pare-feu ou autre barrière métallique, protégez-les à l'aide de bagues en caoutchouc ou en plastique pour éviter les courts-circuits. Conservez toute la longueur des fils pour l'instant. Vous l'ajusterez plus tard.

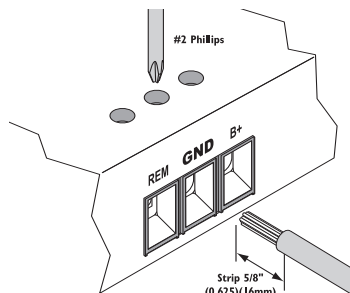
REMARQUE : Nous recommandons l'utilisation d'un fil de 4 AWG pour les prises d'alimentation (B+) et de masse (GND).

2. Préparez le fil ROUGE (câble d'alimentation) qui devra être relié à l'ampli en dénudant 5/8 po (1,6 cm) de son extrémité. Insérez la partie dénudée dans la borne B+, puis fixez le fil en vissant la vis sans tête.

REMARQUE : Le câble B+ DOIT comporter un fusible à 18 po (45,7 cm) ou moins de la batterie du véhicule. Installez le porte-fusible sous le capot et assurez-vous que les connexions sont étanches.

3. Coupez le fil ROUGE (câble d'alimentation) à moins de 18 po (45,7 cm) de la batterie et épissez un porte-fusible en ligne. Voir les Spécifications en ce qui concerne la capacité du fusible à utiliser. N'INSTALLEZ PAS le fusible pour l'instant.
4. Dénudez 1/2 po de l'extrémité de batterie du câble d'alimentation et sertissez une grosse cosse à anneau sur le câble. Connectez la cosse à la borne positive de la batterie. N'installez pas le fusible pour l'instant.
5. Préparez le fil NOIR (câble de mise à la masse) qui devra être relié à l'ampli en dénudant 5/8 po (1,6 cm) de son extrémité. Insérez la partie dénudée dans la borne GND, puis fixez le fil en vissant la vis sans tête. Préparez la masse du châssis en grattant toute trace de peinture de la surface métallique et en nettoyant soigneusement pour éliminer tout dépôt de saleté et de graisse. Dénudez l'autre extrémité du fil et fixez un connecteur en anneau. Fixez le câble au châssis à l'aide d'une vis non anodisée et une rondelle en étoile.

REMARQUE : Gardez le fil NOIR (masse) aussi court que possible. Toujours inférieur à 30 po (76,2 cm).



6. Préparez le fil d'activation REM qui devra être relié à l'ampli en dénudant 1,6 cm 5/8 po (1,6 cm) de son extrémité. Insérez la partie dénudée dans la borne REM, puis fixez le fil en vissant la vis sans tête. Connectez l'autre extrémité du fil REM à une source positive commutée de 12 volts. La tension commutée provient généralement du câble d'allumage d'ampli de la source audio. Si la source audio ne comporte pas une telle sortie, nous recommandons de raccorder un interrupteur mécanique en ligne avec une source de 12 volts pour activer l'ampli.
7. Montez solidement l'ampli sur le véhicule ou le rack d'ampli. Prenez soin de ne pas le fixer sur des panneaux en carton ou en plastique. Les vis pourraient en effet se décoller des panneaux sous l'effet des vibrations de la route ou des arrêts soudains du véhicule.
8. Connectez le signal à l'ampli en branchant les câbles RCA dans les prises d'entrée de l'ampli.

REMARQUE : Toutes les entrées « ACTIVE » doivent avoir des prises RCA connectées. Réglez le commutateur à la position 2CH., « ACTIVE » - Entrées de voie avant seulement. Réglez le commutateur à la position 4CH., « ACTIVE » - Toutes les entrées de voie avant et arrière. Lorsque vous effectuez les connexions aux entrées à 4 voies, veillez à acheminer les câbles RCA avant et arrière fermement ensemble.

⚠ MISE EN GARDE : Assurez-vous toujours que l'ampli est éteint ou débranché avant de connecter les câbles RCA. Toute négligence à cet égard peut causer des blessures ou endommager l'ampli et/ou les composants qui lui sont connectés.

9. Connectez les haut-parleurs : dénudez les fils des haut-parleurs de 1/2 po et insérez la partie dénudée dans la borne du haut-parleur, puis serrez la vis sans tête pour fixer le tout. Veillez à respecter la polarité des haut-parleurs. NE mettez PAS les fils de haut-parleur à la masse sur le châssis car cela pourrait causer un fonctionnement instable.
10. Effectuez une vérification finale du câblage pour vous assurer que toutes les connexions sont bien mises. Vérifiez toutes les connexions d'alimentation et de mise à la masse en vue de fils effilochés et de connexions desserrées pouvant causer des problèmes. Installez le fusible en ligne près de la connexion de la batterie.

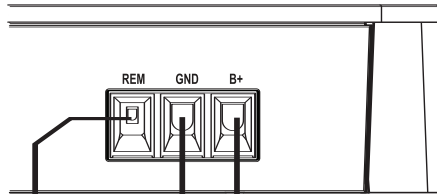
REMARQUE : vérifiez les polarités de signal à l'aide des schémas.

Connexion d'alimentation

Raccorder au fil du jack accessoire de l'unité source ou passer à la source 12 V

Brancher sur la masse du véhicule*

*Garder les fils de masse aussi courts que possible

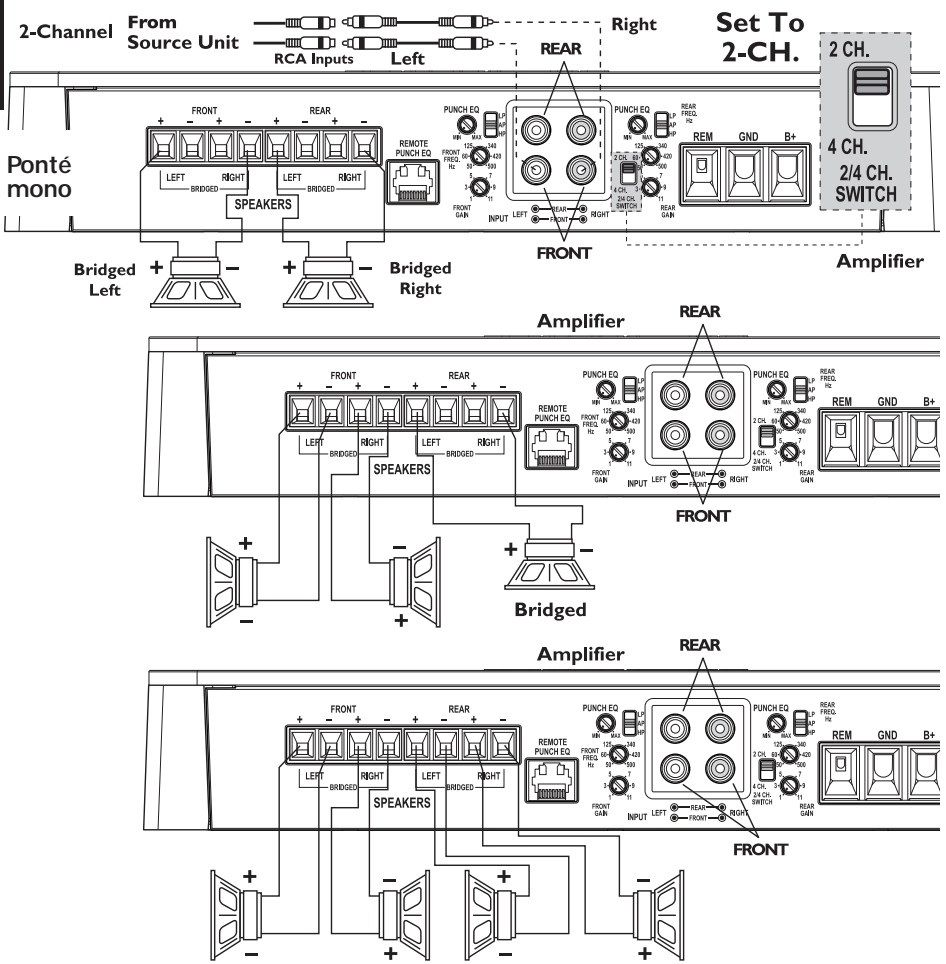


Voir les spécifications concernant la capacité des fusibles

Fusible
Moins de 18 po

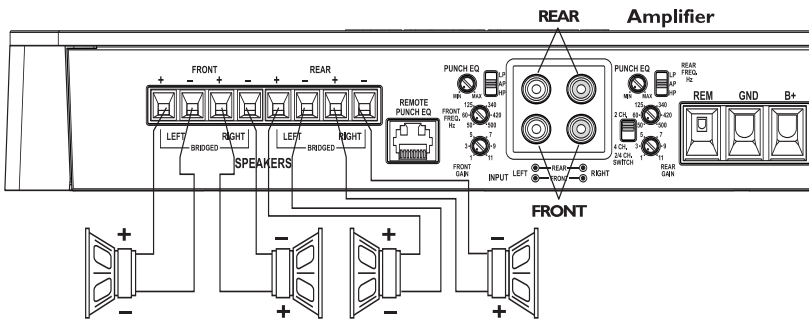
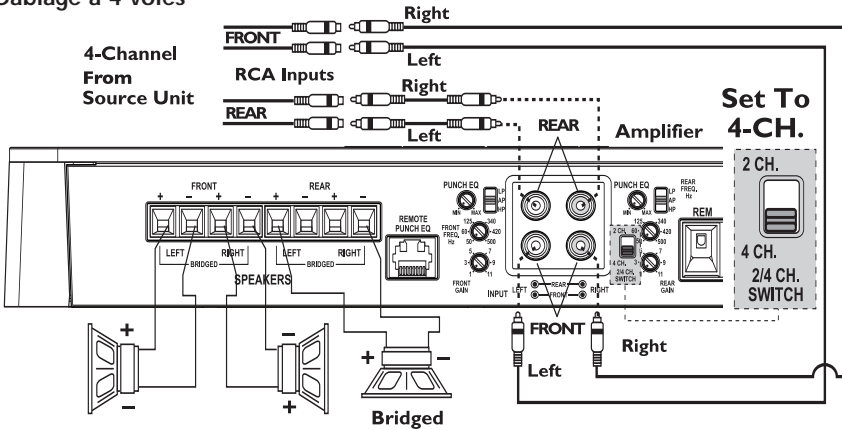
Batterie du véhicule

Câblage à 2 voies

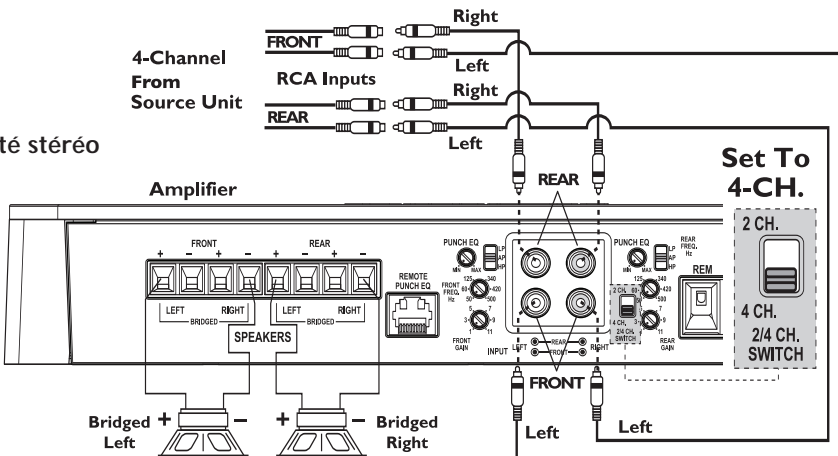


- Entrées RCA connectées à l'AVANT seulement.
- **COMMUTATEUR DE CANAL 2/4** - Relever pour régler sur 2 canaux.
- **Gain (avant et arrière)** - Réglé de façon indépendante selon l'application.
- **Filtre passif (avant et arrière)** - Réglé de façon indépendante selon l'application.

Câblage à 4 voies



Ponté stéréo

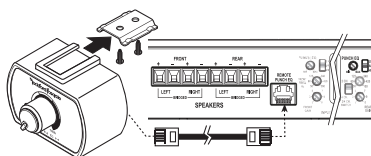


- **COMMUTATEUR DE CANAL 2/4** - Abaisser pour régler sur 4 canaux
- **Gain (avant et arrière)** - Réglé de façon indépendante selon l'application.
- **Filtre passif (avant et arrière)** - Réglé de façon indépendante selon l'application.

TÉLÉCOMMANDE D'ÉGALISEUR PUNCH (en option)

REMARQUE : Les modèles précédents (antérieurs à 2007) de télécommandes de basses Punch et Para-Punch ne fonctionneront pas avec ces amplificateurs.

REMARQUE : Suivez le mode d'emploi livré avec la télécommande pour choisir parmi les différents types de montage celui que vous préférez.



Installez Vite

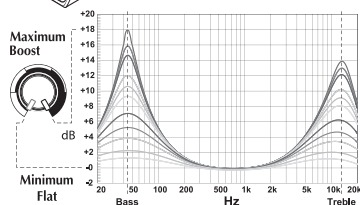
1. Servez-vous des vis fournies pour installer l'attache de fixation.
2. Glissez la télécommande sur l'attache de fixation jusqu'à ce qu'elle se mette en place d'un déclic.
3. Placez le câble, reliez à la télécommande et à l'amplificateur.

Fonctionnement

4. Fonctionnement identique à celui de l'égaliseur Punch, voir ci-dessous.

REMARQUE : Une fois connectée, la télécommande en option remplace le commande du canal arrière par l'égaliseur Punch sur l'ampli.

⚠ MISE EN GARDE : Une forte amplification peut produire un excès de mouvement de la membrane, ce qui peut l'endommager.



ÉGALISEUR PUNCH

Esto funciona junto con el interruptor de cruce en el amplificador.

Cuando está ajustado para la operación en Pasa Bajos (Low Pass, LP) esto es un Refuerzo de Bajos variable.

Cuando está ajustado para la operación en Pasa Altos (High Pass, HP) esto es un Refuerzo de Bajos Medios y Agudos variable.

Cuando está ajustado para la operación en Todos Pasan (All Pass, AP), se refuerzan ambas frecuencias Bajas y Altas.

Réglez-le selon votre goût tout en écoutant le système.

REMARQUE : Une fois connectée, la télécommande en option remplace la commande du canal arrière par l'égaliseur Punch sur l'ampli.

RÉGLAGE DE LA FRÉQUENCE DU FILTRE PASSIF

Procédez de la manière suivante pour chaque voie séparément.

Lorsque le sélecteur est en position HP, l'amplificateur est en mode passe-haut, ce qui laisse passer les fréquences situées au-dessus du point de coupure, réglable de 50 à 500 Hz.

Lorsque le sélecteur est en position AP, l'amplificateur est en mode passe-tout, ce qui empêche tout filtrage et laisse passer toutes les fréquences.

Lorsque le sélecteur est en position LP, l'amplificateur est en mode passe-bas, ce qui laisse passer les fréquences situées au-dessous du point de coupure, réglable de 50 à 500 Hz.

Baissez complètement le niveau du filtre. Le système audio étant en fonctionnement, augmentez le niveau du filtre graduellement jusqu'à atteindre le point de fréquence voulu.

COMMUTATEUR DE CANAL 2/4

Lorsqu'il est mis à la position 2CH., ce commutateur passe en mode 2 canaux, ce qui permet une connexion aux entrées avant seulement en présence d'une sortie à 4 canaux.

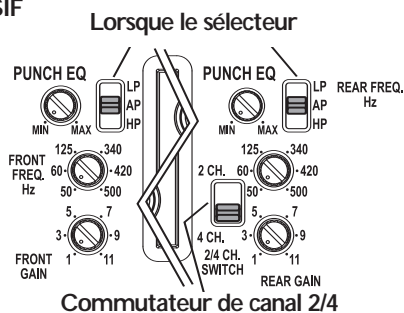
Les commandes de sortie fonctionnent de la même manière que si l'ampli était en mode 4 canaux.

Toutes les entrées « ACTIVE » doivent avoir des prises RCA connectées.

Réglez le commutateur à la position 2CH., « ACTIVE » - Entrées de voie avant seulement.

Réglez le commutateur à la position 4CH., « ACTIVE » - Toutes les entrées de voie avant et arrière.

REMARQUE : Lorsque vous effectuez les connexions aux entrées à 4 voies, veillez à acheminer les câbles RCA avant et arrière fermement ensemble.



RÉGLAGE DU GAIN

Procédez de la manière suivante pour chaque voie séparément.

Pour régler le gain, tournez le bouton de gain de l'ampli vers son niveau le plus bas (sens anti-horaire). Augmentez le volume de la source audio jusqu'à produire une distorsion audible, puis baissez-le jusqu'à ce que la distorsion devienne inaudible. Cela correspondant généralement au maximum du volume sur la plupart des unités source. Augmentez ensuite le gain de l'ampli jusqu'à ce que le volume soit adéquat.

REMARQUE : Mettez le gain au minimum pour assurer le meilleur rapport signal/bruit et la meilleure gamme dynamique. Pour la plupart des utilisateurs, un réglage au milieu assure un niveau de gain et de volume adéquat.

 **MISE EN GARDE :** Évitez de régler le gain de l'ampli trop haut car cela entraîne une augmentation significative du bruit et des distorsions.

REMARQUE : pour un réglage plus approfondi, communiquez avec le support technique de Rockford.

DÉPANNAGE

REMARQUE : si vous éprouvez des difficultés après l'installation, appliquez les procédures de dépannage ci-dessous.

Procédure 1 : vérifiez que les connexions de l'ampli sont bien mises.

Vérifiez que le voyant POWER est allumé. Si c'est le cas, passez à l'étape 3, sinon poursuivez.

1. Vérifiez le fusible en ligne du câble positif de batterie. Effectuez un remplacement au besoin.
2. Vérifiez les fusibles de l'ampli. Effectuez un remplacement au besoin.
3. Vérifiez que la connexion de mise à la masse est branchée à une surface métallique propre du châssis du véhicule. Procédez à une réparation ou un remplacement si nécessaire.
4. Vérifiez la présence d'un courant de 9 à 16 volts au niveau de la borne positive de la batterie et du câble d'allumage à distance. Vérifiez la qualité des connexions des deux câbles au niveau de l'ampli, de la stéréo, de la batterie et du porte-fusible. Procédez à une réparation ou un remplacement si nécessaire.

Procédure 2 : Le voyant de protection ou thermique est allumé.

1. Si le voyant de protection est activé, cela indique la présence possible d'un court-circuit dans les connexions de haut-parleur. Vérifiez si les connexions des haut-parleurs sont bonnes et servez-vous d'un ohm-mètre pour voir s'il y a des courts-circuits dans le câblage des haut-parleurs. Le voyant de protection peut s'allumer si l'impédance de haut-parleur est trop basse.
2. Si la luz de temperatura (Thermal) está encendida, compruebe si la impedancia del altavoz es correcta, vuelva a cablear si es necesario. Esto también puede ser una indicación de que se usa el amplificador a niveles de potencia muy altos sin tener el flujo de aire adecuado alrededor del amplificador. Apague el sistema y permita que se enfrie el amplificador. Compruebe que el sistema de carga del vehículo esté manteniendo el voltaje adecuado. Si el elemento anterior no resuelve el problema, es posible que haya una falla en el amplificador; llame a servicio al cliente para conseguir ayuda.

Procédure 3 : Vérifiez la sortie audio de l'ampli.

1. Vérifiez que les connexions d'entrée RCA sont bonnes au niveau de la stéréo et de l'ampli. Vérifiez s'il y a des problèmes de torsion ou d'épissure tout le long des câbles, etc. Testez la présence de courant c.a. au niveau des entrées RCA lorsque la stéréo est allumée. Procédez à une réparation ou un remplacement si nécessaire.
2. Débranchez l'entrée RCA de l'ampli. Branchez l'entrée RCA de la stéréo test directement à l'entrée de l'ampli.

Procédure 4 : vérifiez l'ampli si un crépitement se produit lorsque vous l'allumez.

1. Débranchez le signal d'entrée reçu par l'ampli, puis allumez et éteignez l'ampli.
2. Si le bruit disparaît, connectez le fil REMOTE de l'ampli à la source audio avec un module d'allumage temporisé.

OU

1. Utilisez une source de 12Volts différente pour le fil REMOTE de l'ampli (p. ex., directement de la batterie).
2. Si le bruit disparaît, utilisez un relais pour isoler l'ampli du signal de bruit du démarrage.

Procédure 5 : vérifiez l'ampli si un bruit de moteur excessif se produit.

1. Acheminez tous les fils de signal (RCA, câbles de haut-parleur) à l'écart des fils d'alimentation ou de masse.

OU

DÉPANNAGE

2. Contournez tous les composants électriques situés entre la stéréo et l'ampli. Connectez la stéréo directement à l'entrée de l'ampli. Si le bruit disparaît, l'unité contournée est la cause du bruit.
- OU**
3. Retirez les fils de masse de tous les composants électriques. Branchez de nouveau les fils à la masse, mais à des emplacements différents. Vérifiez que ceux-ci sont propres, que le métal est brillant sans trace de peinture, ni rouille, etc.
- OU**
4. Ajoutez un deuxième fil de masse allant de la borne négative de la batterie au métal du châssis ou au bloc-moteur du véhicule.
- OU**
5. Faites effectuer par votre mécanicien un essai de charge au niveau de l'alternateur et de la batterie. Vérifiez que le circuit électrique du véhicule fonctionne correctement, notamment le distributeur, les bougies et leurs câbles, le régulateur de tension, etc.

CARACTÉRISTIQUES

MODÈLE - Punch	P400-4	P500-4	
Puissance nominale en continu (RMS) - Mesurée à 14,4 V (batterie)			
Charge de 4 Ω par voie	50 Watts x 4	60 Watts x 4	
Charge de 2 Ω par voie	100 Watts x 4	125 Watts x 4	
Charge de 4 Ω pontée	200 Watts x 2	250 Watts x 2	
Dimensions :			
	Hauteur	5,71 cm	5,71 cm
	Largeur	19,37 cm	19,37 cm
	Longueur	33,07 cm	33,07 cm
Capacité du fusible de la batterie (Ampères) externe (non fourni)	80A	100A	
Rapport signal/bruit (pondéré A) À 1 watt dans 4 Ohms		85 dB	
Rapport signal/bruit (pondéré A) Pour une puissance nominale dans 4 Ohms		105 dB	
Pente d'atténuation du filtre		12 dB/octave Butterwort	
Fréquence du filtre		variable de 50 Hz à 500 Hz	
Réponse en fréquence		de 20 Hz à 20 kHz ±1 dB	
Plage de réglage de tension de signal		Variable de 150 mV à 4 V (entrée RCA)	
Protection		NOMAD - Un circuit de protection de sortie par calculateur analogique interne limite la puissance en cas de surcharge, et offre aussi une protection contre les court-circuits. Un interrupteur thermique éteint l'amplificateur en cas de surchauffe.	
Égalisation PEQ (égalisation Punch)		Variable de 0 dB à +18 dB @ 45 Hz ou de 0 dB à +12 dB @ 12 kHz	
Impédance d'entrée		20 K-ohms	
Tension de fonctionnement		de 9 à 16 Vcc	
Entrées symétriques		Oui	
RRMC (rapport de réjection en mode commun)		>55 dB @ 1kHz	
Facteur d'amortissement		>200	
THD+N (Distorsion harmonique totale + bruit)		< 0,1 @ 2 Ohms et < 0,05 @ 4 Ohms	



Ces spécifications sont conformes à la norme CEA-2006 portant sur la puissance des amplificateurs

Les spécifications sont sujettes à changements sans préavis

Rockford Corporation offre une garantie limitée sur les produits Rockford Fosgate selon les termes suivants :

Durée de la garantie

Sources audio, haut-parleurs, processeurs de signaux et amplificateurs PUNCH — 1 an

Amplificateurs POWER — 2 ans

Tout produit remis à neuf en usine — 90 jours (reçu obligatoire)

Couverture

Cette garantie s'applique uniquement aux produits Rockford Fosgate vendus à des consommateurs par des distributeurs agréés Rockford Fosgate, aux États-Unis d'Amérique et leurs territoires. Les produits achetés par des consommateurs auprès d'un distributeur agréé Rockford Fosgate, dans un autre pays, sont couverts par le distributeur de ce pays et non par Rockford Corporation.

Qui est couvert?

Cette garantie s'applique uniquement à l'acheteur initial du produit Rockford acheté aux États-Unis auprès d'un distributeur agréé Rockford Fosgate. Afin de bénéficier du service de garantie, l'acheteur doit fournir à Rockford une copie du reçu indiquant le nom du client, le nom du distributeur, le produit acheté et la date d'achat.

Les produits jugés défectueux durant la période de garantie seront réparés ou remplacés (par un produit jugé équivalent) au choix de Rockford.

Non-couverture

1. Dommages pour cause d'accident, d'abus, de mauvaise utilisation, d'eau, de vol, de transport
2. Coûts et frais relatifs au retrait ou à la réinstallation du produit
3. Service effectué par quelqu'un d'autre que Rockford ou un centre de service autorisé Rockford Fosgate
4. Tout produit dont le numéro de série a été oblitéré, altéré ou enlevé
5. Dommages subséquents infligés à d'autres composants
6. Tout produit acheté en dehors des États-Unis
7. Tout produit qui n'a pas été acheté auprès d'un distributeur agréé Rockford Fosgate

Limite sur les garanties implicites

Toute garantie implicite, y compris toute garantie d'adéquation à un usage particulier et de commerciabilité, est limitée dans le temps à la période de la garantie expresse énoncée ci-dessus. Certaines juridictions ne permettent pas de limitation sur la durée des garanties implicites. En conséquence, l'exclusion ci-dessus peut ne pas vous être applicable. Aucune personne n'est autorisée à assumer une quelconque autre responsabilité au nom de Rockford Fosgate relative à la vente de ce produit.

Pour l'obtention de service

Contactez le distributeur agréé Rockford Fosgate qui vous a vendu ce produit.

Si vous avez besoin d'aide, appelez le service à la clientèle Rockford au 1-800-669-9899. Vous devez obtenir un numéro d'autorisation de retour de marchandise (RA#) avant de renvoyer le produit à Rockford Fosgate. La responsabilité de l'envoi du produit à Rockford vous incombe entièrement.

Garantie de l'Union Européenne

Ce produit est conforme aux exigences de garantie actuelles de l'UE. Voir votre distributeur agréé pour plus de détails.

INTRODUCCIÓN

Estimado cliente,

Felicidades por su compra de la mejor marca del mundo de amplificadores para automóviles. En Rockford Fosgate somos fanáticos de la mejor reproducción musical y estamos agradecidos de que haya escogido nuestro producto. Con muchos años de experiencia en ingeniería, conocimiento del oficio y procedimientos de prueba críticos, hemos creado una amplia gama de productos para reproducción musical con toda la claridad y la riqueza que usted merece.

Para obtener el mejor rendimiento, le recomendamos que su nuevo producto de Rockford Fosgate sea instalado por un Distribuidor Autorizado de Rockford Fosgate, puesto que les ofrecemos capacitación especializada a través del Instituto de Capacitación Técnica Rockford (RTTI). Por favor lea la garantía, conserve el recibo y la caja original para que los use como posible referencia futura.

Cuando se trata de su sistema, la excelencia del producto y la instalación competente sólo representan una pieza del rompecabezas. Asegúrese de que la persona que instale su sistema utilice accesorios 100% auténticos de Rockford Fosgate. Rockford Fosgate tiene todos los accesorios necesarios, desde cables RCA y cableado para altavoces, hasta líneas de alimentación y conectores de batería. ¡Insista en ello! Después de todo, su nuevo sistema sólo merece lo mejor.

Para darle el toque final a su nueva imagen Rockford Fosgate; pida sus accesorios Rockford, los cuales incluyen playeras, chaquetas, gorras y anteojos para sol.

Para obtener un folleto gratis de los productos de Rockford Fosgate y accesorios Rockford

visite nuestro sitio web en: www.rockfordfosgate.com

o, en los EE.UU. llame al 1-800-669-9899 o por fax al 1-800-398-3985.

Para todos los demás países, llame al +001-480-967-3565 o envíe un FAX al +001-480-967-8132.

PRACTIQUE EL SONIDO SEGURO™

El contacto continuo con niveles de presión de sonido superiores a 100 dB puede causar la pérdida permanente de la audición. Los sistemas de sonido de alta potencia para automóviles pueden producir niveles de presión de sonido superiores a los 130 dB.

Aplique el sentido común y practique el sonido seguro.

Si tiene preguntas sobre este producto después de leer el manual, le recomendamos que consulte a su distribuidor de Rockford Fosgate. Si necesita ayuda adicional, puede llamarnos directamente al 1-800-669-9899. Asegúrese de tener listo el número de la serie, número del modelo y la fecha de compra cuando llame.

El número de la serie se encuentra en el exterior de la caja. Por favor, escríbalo en el espacio que se indica a continuación para tener una anotación permanente. Eso servirá como verificación de la garantía de fábrica y podría ser de utilidad para recuperar su unidad fuente si alguna vez se la roban.

Número de la serie: _____

Número del modelo: _____

ÍNDICE DE MATERIAS

Introducción	2
Instrucciones de seguridad	3
Características del diseño	4
Instalación	5-9
Consideraciones para la instalación	5
Lugares de montaje	5
Batería y carga	6
Cableado del sistema	6

Funcionamiento	10-11
Remote Punch EQ (Opcional)	10
Punch EQ	10
Ajuste de la frecuencia de X-over (Transición)	10
Interruptor de 2/4 canales	10
Ajuste de ganancia	11
Solución de problemas	11-12
Especificaciones	12
Información sobre la garantía limitada	13

NOTA: Lea cada sección para obtener información más detallada.

©2007 Rockford Corporation. Todos los derechos reservados

Rockford Fosgate, el logotipo Rockford Fosgate, el logotipo POWER y el logotipo PUNCH son marcas comerciales registradas o marcas registradas de Rockford Corporation.

INICIO

¡Bienvenidos a Rockford Fosgate! Este manual ha sido creado para proporcionarle información al dueño, vendedor y técnico de instalación. Para quienes desean información rápida sobre cómo instalar este producto, por favor vean la **Sección Instalación** de este manual. El resto de la información puede encontrarse usando el Índice de Materias. Nosotros, en Rockford Fosgate hemos trabajado arduamente para asegurarnos que toda la información de este manual esté actualizada. Ya que constantemente encontramos nuevas formas para mejorar nuestros productos, esta información está sujeta a cambios sin previo aviso.

INSTRUCCIONES DE SEGURIDAD



ADVERTENCIA

Este símbolo de **“ADVERTENCIA”** tiene por objeto alertar al usuario sobre la presencia de instrucciones de importancia. No tener en cuenta las instrucciones podría resultar en lesiones severas o muerte.



PRECAUCIÓN

Este símbolo de **“PRECAUCIÓN”** tiene por objeto alertar al usuario sobre la presencia de instrucciones de importancia. No tener en cuenta las instrucciones podría resultar en lesiones o daños a la unidad.



PRECAUCIÓN:

Para prevenir lesiones y daño a la unidad, por favor lea y cumpla las instrucciones de este manual. Queremos que disfrute este sistema, no que le de un dolor de cabeza.



PRECAUCIÓN

Si no tiene la certeza de poder instalar el sistema, hágalo instalar por una persona técnicamente calificada por Rockford Fosgate.



PRECAUCIÓN

Antes de la instalación, desconecte el terminal negativo (-) de la batería para que evite posibles lesiones, daños a la unidad o incendio.

CONTENIDO DE LA CAJA

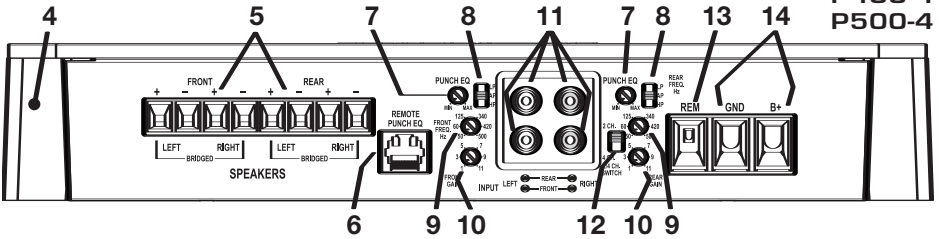
Modelo P400-4 o P500-4 Amplificador de potencia de 4 canales

Manual de instalación y funcionamiento
Juego de implementos para el montaje

El juego de accesorios que se incluye con cada amplificador contiene el equipo de montaje necesario para fijar el amplificador al vehículo.

Visite nuestro sitio web para obtener la información más reciente sobre todos los productos Rockford.

www.rockfordfosgate.com



Español

1. **LED de alimentación (Parte superior de la unidad - no demostrado)** – Este LED azul se ilumina cuando se enciende la unidad.
 2. **LED de temperatura (Parte superior de la unidad - No se muestra)** - Este LED rojo se ilumina si los componentes internos del amplificador se calientan demasiado y accionan la protección térmica. Si esto sucede, se apagará el amplificador para que enfrie.
 3. **LED de protección (Parte superior de la unidad - no demostrado)** – Este LED amarillo se ilumina si se detecta un corto circuito o una impedancia demasiado baja en las conexiones del altavoz. El amplificador se apagará automáticamente si esto sucede.
 4. **Disipador térmico de aluminio fundido** - El disipador térmico de aluminio fundido del amplificador Punch disipa el calor generado por los circuitos.
 5. **Terminales de altavoz** – Estos conectores de abrazadera para cable de servicio pesado niquelados (+ y -) aceptarán cables de tamaños 8 a 18 AWG.
 6. **Remote Punch EQ (Controlador Opcional)** - La conexión del Remote Punch EQ se hace usando cable RJ-45 y se puede instalar en una variedad de maneras distintas para tener acceso fácil para el control. Se usa el control para reforzar información de baja y/o alta frecuencia para vencer el ruido de la calle. El remoto omite el control del canal trasero del Punch EQ en el amplificador cuando está conectado.
- NOTA:** Los controles remotos Punch Bass y Para-Punch previos (anteriores a 2007) no funcionarán con estos amplificadores.
7. **Punch EQ** - Un Punch EQ basado en girador que elimina el desplazamiento de la frecuencia con el refuerzo. Esto funciona junto con el interruptor de cruce en el amplificador. Cuando está ajustado para la operación en Pasa Bajos (Low Pass, LP) esto es un Refuerzo de Bajos variable. Cuando está ajustado para la operación en Pasa Altos (High Pass, HP) esto es un Refuerzo de Bajos Medios y Agudos variable. Cuando está ajustado para la operación en Todos Pasan (All Pass, AP), se refuerzan ambas frecuencias Bajas y Altas.
 8. **Interruptor de cruce** - Se usa para seleccionar funcionamiento Pasa Altos (HP), Pasa Todos (AP) o Pasa Bajos (LP).
 9. **X-Over (transición) variable** – Los amplificadores tienen un filtro Butterworth de 12dB/octava incorporado, con un punto de transición variable de 50Hz a 500Hz.
 10. **Control de ganancia** - el control de ganancia de entrada está precalibrado para que iguale la salida de la mayoría de las unidades fuente. Se puede ajustar para que iguale los niveles de salida de una variedad de unidades fuente.
 11. **Enchufes RCA de entrada** - Los enchufes RCA normativos en la industria brindan una conexión fácil para entrada de nivel de la señal. Están enchapados en niquelados, para resistir la degradación de la señal causada por la corrosión.
 12. **Interruptor de 2/4 canales** - Si se coloca este interruptor en la posición 2CH., conmuta las entradas a un modo de 2 canales, permitiendo la conexión sólo a las entradas delanteras con una salida de 4 canales.
 13. **Terminales REM** – Estos conectores niquelados de abrazadera "C" imperdibles para cable de servicio pesado aceptan cables de tamaño 12 a 24 AWG. Este terminal se usa para encender y apagar el amplificador de manera remota cuando se aplican +12V de corriente continua.
 14. **Terminales de alimentación** – Estos conectores de alimentación y tierra niquelados de abrazadera "C" imperdibles pueden aceptar cables hasta de calibre 4 AWG.


CONSIDERACIONES PARA LA INSTALACIÓN


La siguiente es una lista de las herramientas necesarias para la instalación:

Portafusibles y fusible (Consulte la capacidad de los fusibles en las especificaciones)	Llave para bornes de batería
Voltímetro / Ohmetro	Taladro manual con distintas brocas
Pelacables	Tubo termoretráctil de 1/8 pulgadas de diámetro
Tenaza engarzadora de cables	Variedad de conectores
Cortador de cables	Largo adecuado—Cable rojo para corriente
Destornillador Phillips No. 2	Largo adecuado—Cable de encendido remoto
	Largo adecuado—Cable negro para conexión a tierra

NOTA: Nosotros recomendamos un alambre calibre 4 AWG para ser usado con las conexiones de alimentación (B+) y tierra (GND).

Esta sección se concentra en algunas de las consideraciones para su vehículo para instalar el nuevo amplificador. La planificación previa del diagrama de su sistema y las mejores rutas del cableado ayudarán a ahorrar tiempo en la instalación. Cuando se decida sobre el diagrama de su nuevo sistema, asegúrese de que cada componente esté accesible para realizar ajustes.

 **PRECAUCIÓN:** Si no está seguro sobre cómo instalar el sistema usted mismo, pídale a un técnico calificado que lo instale.

 **PRECAUCIÓN:** Antes de la instalación, desconecte el terminal negativo de la batería (-) para prevenir daño a la unidad, incendio y/o posibles lesiones.

Antes de comenzar la instalación, siga estas normas simples:

1. Asegúrese de leer y entender cuidadosamente las instrucciones antes de intentar instalar la unidad.
2. Para mayor seguridad, desconecte el electrodo negativo de la batería antes del comienzo de la instalación.
3. Para facilitar el montaje, le sugerimos que pase todos los cables antes de montar la unidad fuente en su lugar.
4. Pase todos los cables RCA juntos y lejos de recorridos de cables de alta corriente.
5. Use conectores de alta calidad para obtener una instalación fiable y reducir la pérdida de potencia.
6. ¡Piense antes de perforar! Tenga cuidado de no cortar o perforar el tanque de combustible, las líneas de combustible, líneas de frenos o hidráulicas, líneas de vacío o cableado eléctrico cuando trabaje en cualquier vehículo.
7. Nunca pase los cables por debajo del vehículo. Pasar los cables por el interior del vehículo ofrece la mejor protección.
8. Evite pasar los cables sobre o por bordes filosos. Use anillos de goma o plástico para proteger los cables pasados a través del metal, especialmente el muro contra fuego.
9. Proteja SIEMPRE la batería y el sistema eléctrico contra daños usando los fusibles apropiados. Instale el portafusible apropiado y el fusible en el cable de +12 V de potencia a una distancia máxima de 18 pulgadas (45,7 cm) del terminal de la batería.
10. Cuando conecte el chasis del vehículo a tierra, quite la pintura del metal para asegurar una conexión a tierra buena y limpia. Las conexiones de toma de tierra deberán ser las más cortas posibles y deberán estar siempre conectadas al metal que está soldado al cuerpo principal, o chasis del vehículo.

LUGARES DE MONTAJE

Compartimento del motor

Nunca instale esta unidad en el compartimento del motor. Instalar la unidad en el compartimento del motor anulará su garantía.

Instalación en el maletero

El montaje vertical o invertido del amplificador proporcionará suficiente enfriamiento para el mismo.

El montaje del amplificador en el piso del maletero proporcionará el mejor enfriamiento del mismo.

INSTALACIÓN

Instalación en la cabina de pasajeros

Se puede montar el amplificador en la cabina de pasajeros, siempre que usted proporcione una cantidad suficiente de aire al amplificador para que pueda enfriarse. Si planea montar el amplificador debajo del asiento del vehículo, deberá dejar un espacio mínimo de 1 pulgada (2,54 cm) alrededor del disipador térmico del amplificador.

Montar el amplificador con un espacio de aire menor de 1 pulgada (2,54 cm) alrededor del disipador térmico del amplificador en la cabina de pasajeros no proporcionará el enfriamiento apropiado, afectará severamente el rendimiento del amplificador y no se recomienda.

Español

BATERÍA Y CARGA

Los amplificadores aplicarán una carga mayor en la batería del vehículo y en el sistema de carga de la misma. Le recomendamos que compruebe el estado del alternador y la batería para asegurarse de que el sistema eléctrico tenga capacidad suficiente para manejar la mayor carga de su sistema estereofónico. Los sistemas eléctricos estándar que se encuentren en buen estado deben ser capaces de manejar la carga adicional del amplificador serie Punch sin problemas, aún cuando es posible que se acorte ligeramente la duración de la batería y el alternador. Para maximizar el rendimiento de su amplificador, sugerimos que use una batería de servicio pesado y un capacitor para el almacenamiento de energía.

CABLEADO DEL SISTEMA

PRECAUCIÓN: Si no se siente capaz de instalar el cableado de su nueva unidad, por favor consulte a su Distribuidor Autorizado Rockford Fosgate local sobre la instalación.

PRECAUCIÓN: Antes de la instalación, desconecte el terminal negativo de la batería (-) para prevenir daño a la unidad, incendio o posibles lesiones.

PRECAUCIÓN: Evite pasar los cables de alimentación cerca de los cables de entrada de bajo nivel, de la antena, de los conductores de alimentación, de equipo sensible o de cableados preformados. Los cables de alimentación llevan bastante corriente y podrían inducir ruido en el sistema de audio.

1. Planifique la ruta de cableado. Mantenga los cables RCA juntos pero aislados de los cables de alimentación del amplificador y de cualquier accesorio del automóvil de alta potencia, especialmente de motores eléctricos. Esto se hace para evitar ruido de acoplamiento de campos eléctricos irradiantes en la señal de audio. Cuando pase los cables por el muro contra fuego o por cualquier barrera metálica, protéjalos con anillos de plástico o goma para evitar cortos circuitos. Deje los cables largos para poder ajustarlos posteriormente en forma precisa.

NOTA: Nosotros recomendamos un alambre calibre 4 AWG para ser usado con las conexiones de alimentación (B+) y tierra (GND).

2. Prepare el cable ROJO (cable de alimentación) para fijarlo al amplificador pelando 5/8 pulg. (1,6 cm) de aislamiento del extremo del cable. Inserte el cable pelado en el terminal B+ y apriete el tornillo de fijación para fijar el cable en su sitio.

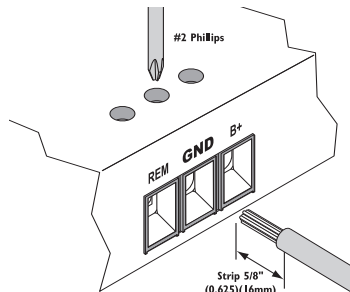
NOTA: Se DEBE instalar un fusible en el cable B+ a 18 pulg. (45,7 cm) o menos de distancia de la batería del vehículo. Instale el porta-fusibles abajo del capó / cofre y asegúrese de que las conexiones sean herméticas.

3. Recorte el cable ROJO (cable de alimentación) a menos de 18 pulg. (45,7 cm) de la batería y empálmelo en un porta-fusibles en línea. Consulte en las especificaciones de la capacidad del fusible que debe usar. NO instale el fusible en este momento.

4. Pele 1/2 pulgada (1,3 cm) del cable para corriente del extremo de la batería y engarce a presión un anillo terminal grande al cable. Use el terminal del anillo para conectar al terminal positivo de la batería. No instale el fusible en este momento.

5. Prepare el cable NEGRO (cable a tierra) para conectarlo al amplificador, pelando 5/8 pulg. (1,6 cm) de la aislación del extremo final del cable. Inserte el cable sin aislación en el terminal GND (tierra) y ajuste el tornillo de fijación para asegurar el cable en su lugar. Prepare la conexión a tierra en el chasis raspando la pintura de la superficie de metal y limpie minuciosamente el polvo y la grasa del área. Pele el otro extremo del cable y conecte un anillo conector. Ajuste el cable al chasis con un tornillo no anodizado y una arandela en estrella.

NOTA: Mantenga el largo del cable NEGRO (tierra) lo más corto posible. Siempre menos de 30 pulg. (76,2 cm).



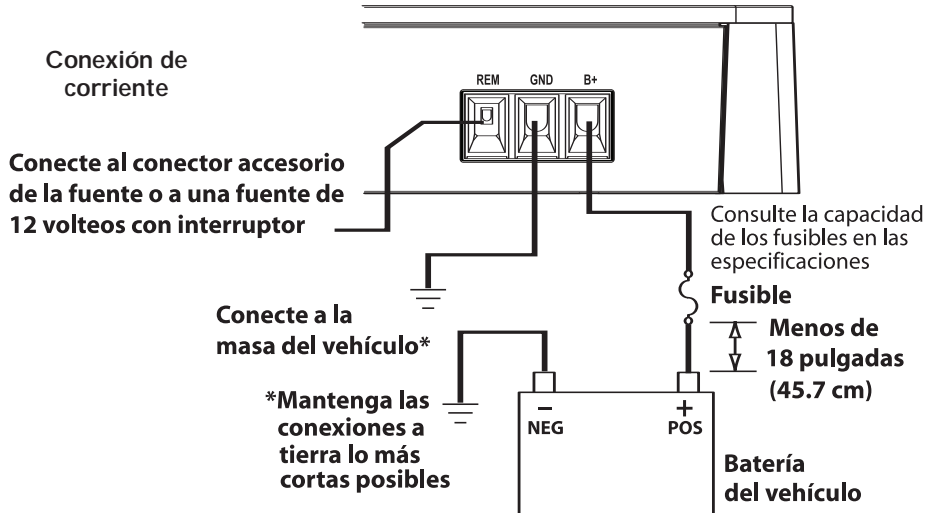
6. Prepare el cable de encendido REM para fijarlo al amplificador pelando 5/8 pulg. (1,6 cm) de aislamiento del extremo del cable. Inserte el cable pelado en el terminal REM y apriete el tornillo de fijación para fijar el cable en su sitio. Conecte el otro extremo del cable REM a una fuente de alimentación conmutada de 12 voltios. El voltaje conmutado normalmente se toma del cable de encendido del amplificador remoto. Si la unidad de fuente no tiene esta salida disponible, la solución recomendada es cablear un interruptor mecánico en línea con una fuente de 12 voltios para activar el amplificador.
7. Monte el amplificador seguramente al vehículo o al soporte del amplificador. Tenga cuidado de no montar el amplificador sobre paneles de cartón o plástico porque los tornillos pueden salirse del panel debido a la vibración o las frenadas repentinas del vehículo.
8. Conecte desde la señal de origen enchufando los cables RCA en los conectores de entrada en el amplificador.

NOTA: Todas las entradas "ACTIVAS" tienen que tener conectados los conectores RCA. Interruptor en la posición 2CH, "ACTIVE" - Sólo entradas del canal delantero. Interruptor en la posición 4CH, "ACTIVE" - Todas las entradas del canal delantero y trasero. Al conectar a las entradas de 4 canales, asegúrese de tender ambos cables RCA delantero y trasero muy juntos.

PRECAUCIÓN: Asegúrese siempre de que la alimentación esté apagada o desconectada en el amplificador antes de conectar los cables RCA. No hacerlo podría causar lesiones, daños al amplificador o a los componentes conectados.

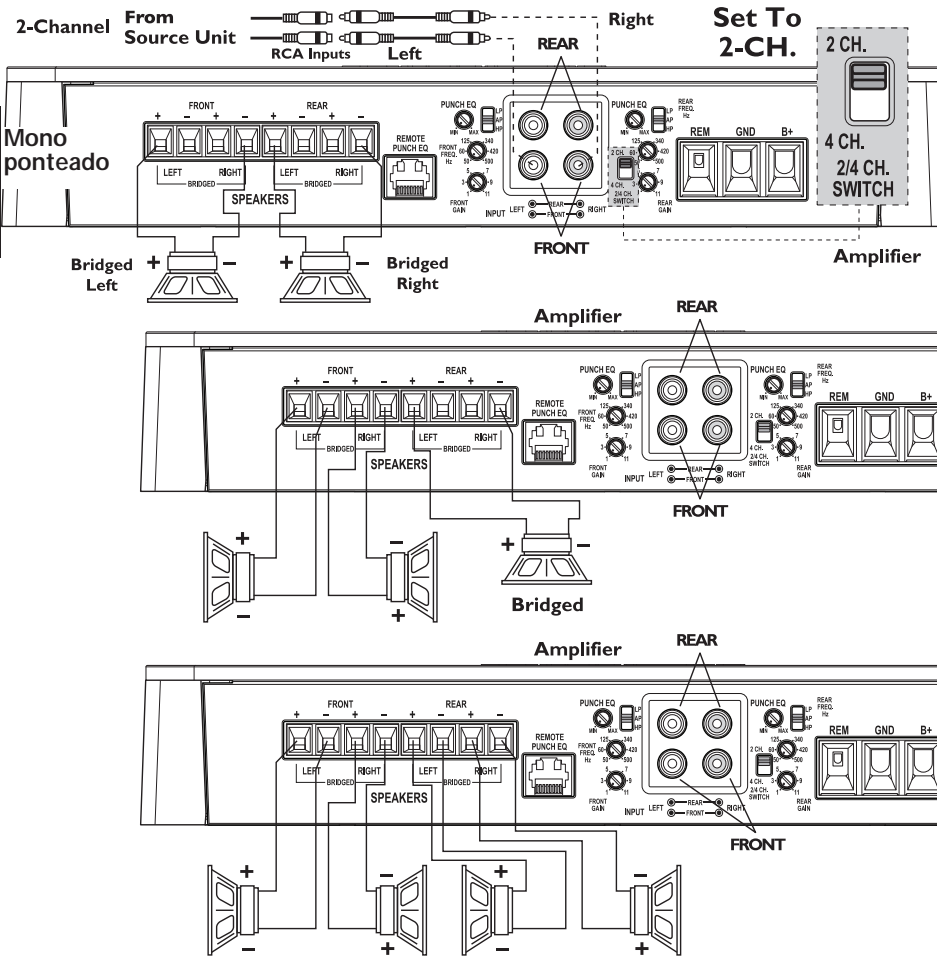
9. Conecte los altavoces. Pele 1/2 pulgada (1,3 cm) de los cables de los altavoces, insérteles en los terminales de los altavoces y ajuste el tornillo de fijación en su lugar. Asegúrese de mantener la polaridad correcta en los altavoces. NO conecte ninguno de los conductores de los altavoces a tierra, ya que esto puede resultar en un funcionamiento inestable.
10. Realice un control final del cableado terminado del sistema para asegurarse de que todas las conexiones son precisas. Verifique que no haya cables pelados ni conexiones sueltas en ninguna de las conexiones de poder y a tierra que podrían causar problemas. Instale el fusible cerca de la conexión de la batería.

NOTA: Para establecer la polaridad de señal correcta siga los diagramas.



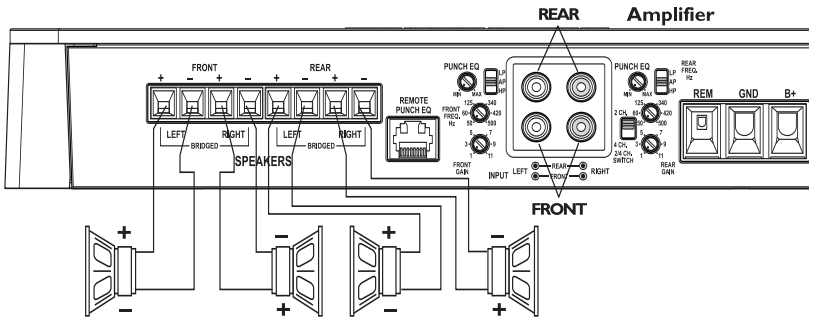
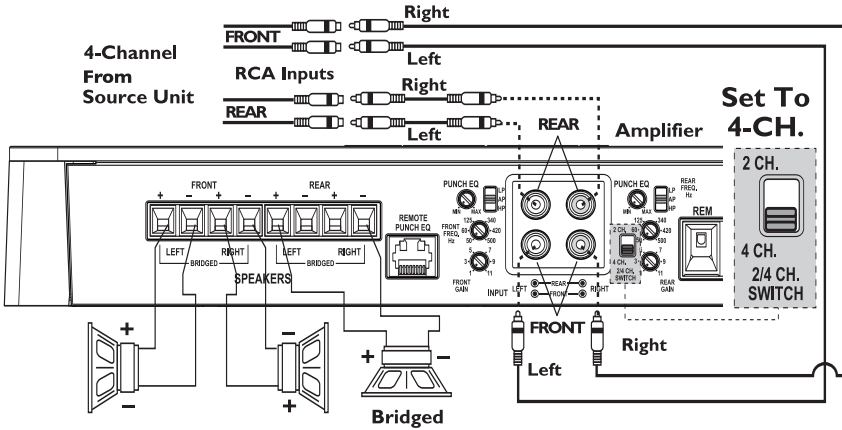
Cableado de 2 canales

Español

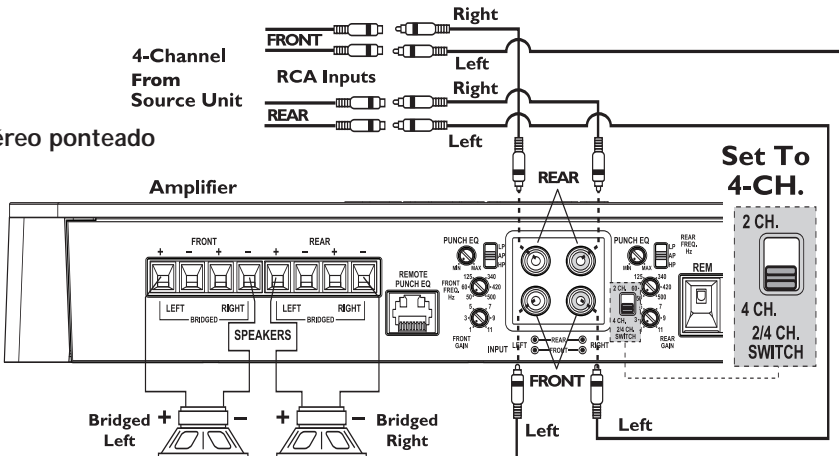


- Las entradas RCA sólo se conectan a las entradas DELANTERAS.
- INTERRUPTOR 2/4 CANALES en la posición hacia arriba para configurar para 2 canales.
- Ganancia (adelante y atrás) – se ajusta independientemente de acuerdo a la aplicación.
- Cruce (adelante y atrás) – se ajusta independientemente de acuerdo a la aplicación.

Cableado de 4 canales



Estéreo pontado



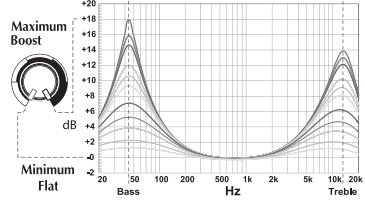
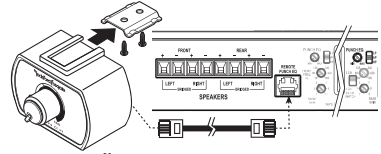
- INTERRUPTOR 2/4 CANALES en la posición hacia abajo para configurar para 4 canales.
- Ganancia (adelante y atrás) – se ajusta independientemente de acuerdo a la aplicación.
- Cruce (adelante y atrás) – se ajusta independientemente de acuerdo a la aplicación.

FUNCIONAMIENTO

REMOTE PUNCH EQ (Opcional)

NOTA: Los controles remotos Punch Bass y Para-Punch previos (anteriores a 2007) no funcionarán con estos amplificadores.

NOTA: Use las instrucciones que vinieron con el remoto para una variedad de montajes que se adapten a su preferencia.



Español

Aprisa Instale

1. Instale el clip de montaje usando los tornillos proporcionados.
2. Deslice el remoto en el clip de montaje hasta que encaje en su sitio.
3. Encamine el cable, conecte con el mando a distancia y el amplificador.

Operación

4. El funcionamiento es el mismo que el del Punch EQ, ver abajo.

NOTA: Conectar el remoto opcional omite el control del canal trasero del Punch EQ en el amplificador.

⚠ PRECAUCIÓN: A altos niveles de aumento de potencia puede producirse una sobrecarga y posteriormente daños.

PUNCH EQ

Esto funciona junto con el interruptor de cruce en el amplificador.

Cuando está ajustado para la operación en Pasa Bajos (Low Pass, LP) esto es un Refuerzo de Bajos variable.

Cuando está ajustado para la operación en Pasa Altos (High Pass, HP) esto es un Refuerzo de Bajos Medios y Agudos variable.

Cuando está ajustado para la operación en Todos Pasan (All Pass, AP), se refuerzan ambas frecuencias Bajas y Altas.

Ajuste esto de acuerdo a su preferencia personal mientras escucha al sistema.

NOTA: Conectar el remoto opcional omite el control del canal trasero del Punch EQ en el amplificador.

AJUSTE DE LA FRECUENCIA X-OVER (Transición)

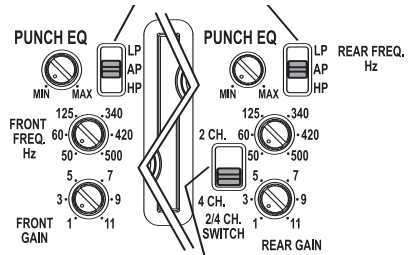
Haga lo siguiente individualmente para cada canal.

Al colocar el interruptor en la posición HP se pone al amplificador en el modo de Paso Alto, permitiendo el paso de las frecuencias del punto de corte, ajustable entre 50-500Hz.

Al colocar el interruptor en la posición AP, se pone el amplificador en la posición en el modo Todo Paso, lo cual impide cualquier ajuste de transición y permite que todas las frecuencias pasen.

Al colocar el interruptor en la posición LP se pone el amplificador en el modo de Paso Bajo, permitiendo el paso de las frecuencias por debajo del punto de corte, ajustable entre 50-500Hz.

Interruptor de cruce



Interruptor de 2/4 canales

Gire el botón para ajuste de transición completamente hacia abajo. Ponga a sonar el sistema y gire el botón para ajuste de transición lentamente hacia arriba, hasta que se obtenga el punto de transición deseado.

INTERRUPTOR DE 2/4 CANALES

Colocar este interruptor en la posición 2CH, conmuta las entradas a un modo de 2 canales, permitiendo la conexión sólo a las entradas delanteras con una salida de 4 canales.

Los controles de salida funcionan igual que si el amplificador estuviera en el modo de 4 canales.

Todas las entradas "ACTIVAS" tienen que tener conectados los conectores RCA.

Interruptor en la posición 2CH, "ACTIVE" - Sólo entradas del canal delantero.

Interruptor en la posición 4CH, "ACTIVE" - Todas las entradas del canal delantero y trasero.

NOTA: Al conectar a las entradas de 4 canales, asegúrese de tender ambos cables RCA delantero y trasero muy juntos.

AJUSTE DE GANANCIA

Haga lo siguiente individualmente para cada canal.

Para ajustar la ganancia, gire las ganancias del amplificador totalmente hacia abajo (sentido contra horario). Suba el volumen de la unidad de origen hasta que pueda escuchar la distorsión y luego gire hacia abajo un poco hasta que no se pueda escuchar la distorsión. Esto será hasta arriba en la mayoría de las unidades fuentes. Luego, aumente el ajuste de ganancia del amplificador hasta que se obtenga un volumen adecuado. Las unidades fuentes.

NOTA: Se obtiene la mejor relación de ruido y gama dinámica con la ganancia mínima. La mayoría de los usuarios encuentran que se obtiene un volumen y ganancia adecuados en la mitad de la gama de ajustes.

 **PRECAUCIÓN:** Evite ajustar la ganancia del amplificador en un valor demasiado alto pues aumentará mucho el ruido y la distorsión.

NOTA: Para un procedimiento de calibración más detallado, comuníquese con el Departamento de Asistencia Técnica de Rockford.

SOLUCIÓN DE PROBLEMAS

NOTA: Si tiene problemas después de la instalación, siga los procedimientos de solución de problemas descritos a continuación.

Procedimiento 1: Verifique que el amplificador esté bien conectado.

Compruebe que esté encendida la luz de ALIMENTACIÓN (POWER). Si la luz de ALIMENTACIÓN (POWER) está encendida vaya al Paso 3, de otra manera, continúe.

1. Compruebe el fusible en línea en el cable positivo de la batería. Cambie si es necesario.
2. Compruebe los fusibles en el amplificador. Cambie si es necesario.
3. Compruebe que la conexión a tierra esté conectada a metal limpio en el chasis del vehículo. Repare o cambie si es necesario.
4. Compruebe que haya 9 - 16 voltios en el positivo de la batería y en el cable de encendido de la unidad remota. Compruebe la calidad de las conexiones de ambos cables en el amplificador, estéreo y batería / porta-fusibles. Repare o cambie si es necesario.

Procedimiento 2: La luz de protección (Protect) o temperatura (Thermal) está encendida.

1. Si la luz de protección está encendida, es una indicación de que posiblemente haya un corto en las conexiones del altavoz. Compruebe si las conexiones del altavoz están bien hechas y use un óhmetro para comprobar si hay un corto en el cableado de los altavoces. Una impedancia de altavoz demasiado baja también puede causar que se ilumine la luz de protección.
2. Si la luz de temperatura (Thermal) está encendida, compruebe si la impedancia del altavoz es correcta, vuelva a cablear si es necesario. Esto también puede ser una indicación de que se usa el amplificador a niveles de potencia muy altos sin tener el flujo de aire adecuado alrededor del amplificador. Apague el sistema y permita que se enfríe el amplificador. Compruebe que el sistema de carga del vehículo esté manteniendo el voltaje adecuado. Si el elemento anterior no resuelve el problema, es posible que haya una falla en el amplificador; llame a servicio al cliente para conseguir ayuda.

Procedimiento 3: Compruebe la salida de sonido del amplificador.

1. Compruebe si las conexiones de entrada RCA están bien en el estéreo y el amplificador. Compruebe a lo largo del cable para ver si está retorcido, empalmado, etc. Pruebe las entradas RCA para determinar los voltajes de CA teniendo el estéreo encendido. Repare o cambie si es necesario.
2. Desconecte la entrada RCA del amplificador. Conecte la entrada RCA desde el estéreo de prueba directamente a la entrada del amplificador.

Procedimiento 4: Verifique el amplificador si tiene chasquidos al encender.

1. Desconecte la señal de entrada al amplificador y encienda y apague el amplificador.
2. Si el ruido se elimina, conecte el conductor REMOTO del amplificador a la unidad fuente con un módulo de encendido de retardo.

O

1. Use una fuente de 12 voltios distinta para el conductor REMOTO del amplificador (ejemplo, directo a la batería).
2. Si el ruido se elimina, use un relé para aislar el amplificador del la salida de encendido ruidosa.

Procedimiento 5: Verifique el amplificador si siente excesivo ruido de motor.

1. Pase todos los cables que llevan señales (RCA, cables de altavoces) lejos de los cables de alimentación y de tierra.

O

SOLUCIÓN DE PROBLEMAS

- Desvíe cualquiera y todos los componentes eléctricos entre el estéreo y los amplificadores. Conecte el estéreo directamente a la entrada del amplificador. Si el ruido desaparece el componente que está siendo desviado es la causa del ruido.
- Quite los cables a tierra existentes de todos los componentes eléctricos. Vuelva a conectarlos a tierra en lugares diferentes. Verifique que el sitio de conexión a tierra esté limpio, que sea metal brillante sin pintura, óxido, etc.
- Añada un cable a tierra secundario desde el terminal negativo de la batería al chasis de metal o al bloque del motor del vehículo.
- Haga que su mecánico pruebe la carga del alternador y la batería. Verifique que el sistema eléctrico del vehículo esté en orden, incluyendo el distribuidor, las bujías, los cables de las bujías, el regulador de voltaje, etc.

ESPECIFICACIONES

MODELO - Punch

P400-4

P500-4

Clasificación de potencia continua (Valor eficaz) – Medida a 14.4 voltios en la batería

4 Ω Carga por canal	50 vatios x 4	60 vatios x 4
2 Ω Carga por canal	100 vatios x 4	125 vatios x 4
4 Ω Carga con puente	200 vatios x 2	250 vatios x 2



Dimensiones:	Altura	5,71 cm	5,71 cm
	Anchura	19,37 cm	19,37 cm
	Longitud	33,07 cm	33,07 cm

Capacidad del fusible de la batería (Amp) externo (No provisto)	80A	100A
---	-----	------

Relación señal-ruido media ponderada "A"
En relación a 1 vatio en 4 ohmios.

85 dB

Relación señal-ruido media ponderada "A"
En relación a la salida nominal en 4 ohmios.

105 dB

Pendiente de cruce:

12dB/octava Butterworth

Frecuencia de cruce

variable desde 50 a 500 Hz.

Frecuencia de respuesta

20Hz a 20kHz ±1dB

Gama de ajuste del voltaje de la señal

Variable desde 150mV a 4V (entrada RCA)

Protección

NOMAD – Circuito de protección de computadora analógica interna que limita la potencia en caso de sobrecarga y protege contra cortocircuitos. El interruptor térmico apaga el amplificador en caso de sobrecalentamiento.

Equalización PEQ (Punch Equalization)

Variable desde 0dB hasta +18dB a 45Hz y/o 0dB hasta +12dB a 12kHz

Impedancia de entrada.

20K ohmios

Voltaje de funcionamiento

9 a 16 Volts VCC

Entradas Equilibradas

Si

CMRR (Relación de Rechazo del Modo Común)

>55dB @ 1kHz

Factor de Amortiguamiento

>200

THD+N (Total de Distorsión Armónica + Ruido)

< 0.1 a 2 ohmios y < 0.05 a 4 ohmios

Estas especificaciones cumplen con la norma CEA-2006 para la potencia de amplificadores (Amplifier Power Standard CEA-2006)

Estas especificaciones están sujetas a cambio sin previo aviso

Rockford Corporation ofrece una garantía limitada para los productos Rockford Fosgate bajo los siguientes términos:

Duración de la garantía

Unidades Fuente, altavoces, procesadores de señales y amplificadores PUNCH—1 año

Amplificadores POWER—2 años

Cualquier producto de fábrica restaurado—90 días (comprobante de compra requerido)

Qué está cubierto

Esta garantía se aplica solamente a los productos Rockford Fosgate vendidos a consumidores por Concesionarios Autorizados Rockford Fosgate en los Estados Unidos o sus posesiones. Los productos comprados por los consumidores en un Distribuidor Autorizado Rockford Fosgate de otro país están cubiertos solamente por el Distribuidor de dicho país y no por Rockford Corporation.

Quién está cubierto

Esta garantía cubre solamente al comprador original del producto Rockford comprado en un Concesionario Autorizado de Rockford Fosgate de los Estados Unidos. Para poder recibir el servicio, el comprador debe presentarle a Rockford una copia del recibo indicando el nombre del cliente, nombre del distribuidor, producto comprado y la fecha de la compra.

Los productos que estén defectuosos durante el periodo de la garantía serán arreglados o reemplazados (con un producto equivalente) a entera discreción de Rockford.

Qué no está cubierto

1. Daños causados por accidentes, maltrato, operación incorrecta, agua, robo, transporte
2. Cualquier costo o gasto relacionado con la desinstalación o nueva instalación del producto
3. Servicios prestados por alguien que no sea un Centro de Servicio Autorizado por Rockford Fosgate
4. Cualquier producto que tenga el número de serie borrado, alterado o removido
5. Daños posteriores a otros componentes
6. Cualquier producto comprado fuera de los EE.UU.
7. Cualquier producto no comprado en un Distribuidor Autorizado de Rockford Fosgate

Límite de las garantías implícitas

Cualquier garantía implícita incluyendo las garantías de aptitud de uso y comerciabilidad, está limitada, en duración al período de la garantía expresa indicada anteriormente. Algunos estados no permiten limitaciones en la duración de una garantía implícita, de modo que esta limitación puede no aplicarse. Ninguna persona está autorizada a adoptar ninguna otra obligación en conexión con la venta del producto en nombre de Rockford Fosgate.

Cómo obtener servicio

Comuníquese con el distribuidor autorizado de Rockford Fosgate donde compró este producto.

Si necesita ayuda adicional, llame al 1-800-669-9899 para hablar con la oficina de Servicio al Cliente de Rockford. Debe obtener un # NADM (Número de Autorización para la Devolución del Material) para enviar cualquier producto a Rockford Fosgate. Usted es responsable por el envío del producto a Rockford.

Garantía UE

Este producto satisface los requisitos de garantía de la UE actuales, ver al distribuidor autorizado para mayores detalles.

EINLEITUNG

Liebe Kundin, lieber Kunde,

wir gratulieren Ihnen zu Ihrem Kauf von Autoaudioverstärkern der besten Marke weltweit. Wir bei Rockford Fosgate sind Fanatiker, wenn es um die beste musikalische Reproduktion geht, und freuen uns darüber, dass Sie unser Produkt gewählt haben. Durch jahrelange Ingenieurerfahrung, Handwerkskunst und kritische Testverfahren haben wir ein weites Spektrum an Produkten geschaffen, die die Musik mit aller Klarheit und Klangsönheit reproduziert, die Sie verdienen.

Zur maximalen Performance empfehlen wir, dass Sie Ihr neues Rockford Fosgate Produkt von einem Vertragshändler von Rockford Fosgate einbauen lassen, da wir durch das Rockford Technical Training Institute (RTTI) spezialisierte Ausbildung bieten. Bitte lesen Sie Ihre Garantie und bewahren Sie Ihre Quittung und Originalverpackung zum eventuellen späteren Gebrauch auf.

Hervorragende Produkte und kompetenter Einbau sind nur Teile des Puzzles, wenn es um Ihr System geht. Vergewissern Sie sich, dass derjenige, der Ihr System einbaut, nur authentischen Installationszubehör von Rockford Fosgate bei Ihrem Einbau verwendet. Rockford Fosgate führt alles von RCA- und Lautsprecherkabeln zu Stromkabeln und Batterieadaptoren. Bestehen Sie darauf! Schließlich verdient Ihr neues System nur das Beste.

Um Ihrem neuen Rockford Fosgate Image den letzten Schliff zu geben, bestellen Sie Ihre Rockford Accessoires. Dazu gehört alles von T-Shirts und Jacken zu Kappen und Sonnenbrillen.

Eine kostenlose Broschüre über Rockford Fosgate Produkte und Rockford Accessoires besuchen Sie uns im Web unter: www.rockfordfosgate.com oder wählen Sie in den USA 1-800-669-9899 oder FAX 1-800-398-3985. Anrufer aus anderen Ländern wählen bitte zunächst die Ländervorwahl +001.

Deutsch

PRAKTIZIEREN SIE SICHEREN SOUND

Fortgesetzte Geräuschdruckpegel von über 100 dB können beim Menschen zu permanentem Hörverlust führen. Leistungsstarke Autosoundsysteme können Geräuschdruckpegel erzeugen, die weit über 130 dB liegen. Bitte wenden Sie gesunden Menschenverstand an und praktizieren Sie sicheren Sound.

Falls Sie nach der Lektüre Ihrer Gebrauchsanleitung noch Fragen hinsichtlich dieses Produkts haben, empfehlen wir, dass Sie einen Rockford Fosgate Vertragshändler kontaktieren. Wenn Sie weitere Fragen haben, können Sie uns direkt unter 1-800-669-9899 anrufen. Bei Ihrem Anruf haben Sie bitte die Seriennummer, Modellnummer und das Kaufdatum griffbereit.

Die Seriennummer befindet sich auf der Außenseite der Verpackung. Bitte notieren Sie diese Nummer nachfolgend, so dass sie stets bei Ihren Unterlagen ist. Sie dient zur Verifizierung Ihrer Werksgarantie und kann sich als nützlich erweisen, sollte Ihr Gerät jemals gestohlen werden.

Seriennummer: _____

Modellnummer: _____

INHALTSVERZEICHNIS

Einleitung	2
Sicherheitshinweise	3
Designcharakteristiken	4
Einbau	5-9
Einbauüberlegungen	5
Befestigungsstellen	5
Batterie und Aufladung	6
Verkabelung des Systems	6

Betrieb	10-11
Punch-EQ-Fernbedienung (wahlweiser)	10
Punch EQ	10
Crossover-Frequenz einstellen	10
Zwei-/Vierkanalschalter	10
Lautstärke einstellen	11
Fehlerbeseitigung	11-12
Technische Daten	12
Informationen zur beschränkten Garantie	13

HINWEIS: Lesen Sie jeden Abschnitt für detaillierte Informationen.

©2007 Rockford Corporation. Alle Rechte vorbehalten. Rockford Fosgate, das Rockford Fosgate Logo, das POWER Logo und das PUNCH Logo sind entweder eingetragene Warenzeichen oder Warenzeichen von Rockford Corporation.

HIER GEHT'S LOS

Willkommen bei Rockford Fosgate! Diese Anleitung bietet dem Besitzer, Verkäufer und Einbauenden Informationen. Kurzgefasste Informationen zum Einbau dieses Produkts finden sich im Abschnitt „**Einbau**“ dieser Anleitung. Andere Informationen können Sie mithilfe des Inhaltsverzeichnisses auffinden. Wir bei Rockford Fosgate haben uns sehr darum bemüht, dass alle in dieser Anleitung enthaltenen Informationen auf dem neusten Stand sind. Da wir unsere Produkte jedoch ständig weiterentwickeln, können sich diese Informationen jedoch ohne Ankündigung ändern.

SICHERHEITSHINWEISE

WARNUNG

Dieses Symbol mit dem Wort „**WARNUNG**“ soll den Benutzer auf wichtige Hinweise aufmerksam machen. Nichtbeachtung der Hinweise führt zu schweren Verletzungen oder Tod.

VORSICHT

Dieses Symbol mit dem Wort „**VORSICHT**“ soll den Benutzer auf wichtige Hinweise aufmerksam machen. Nichtbeachtung der Hinweise kann zu Verletzungen oder Schäden am Gerät führen.

VORSICHT:

Bitte lesen Sie zur Vermeidung von Verletzungen und Schäden am Gerät die Hinweise in dieser Anleitung. Wir möchten, dass Ihnen dieses System Freude, nicht Kopfschmerzen bereitet.

VORSICHT:

Wenn Sie beim Einbau des Geräts unsicher sind, lassen Sie es bitte von einem qualifizierten Rockford Fosgate Techniker einbauen.

VORSICHT:

Entfernen Sie vor dem Einbau den negative Batteriepol, um Schäden am Gerät, Feuer bzw. mögliche Verletzungen zu vermeiden.

INHALT DES KARTONS

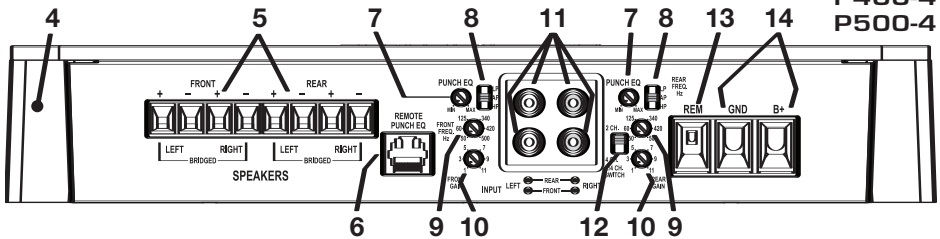
Entweder ein Modell P400-4 oder P500-4
Punch-Vierkanalverstärker

Einbau- und Bedienungsanleitung
Befestigungszubehör

Das jedem Verstärker beiliegende Zubehörset enthält das Zubehör, das zur Befestigung des Verstärkers im Fahrzeug nötig ist.

Die neusten Informationen über alle Rockford Produkte finden Sie auf unserer Web site im Internet.

www.rockfordfosgate.com



1. **Betriebs-LED (Oberseite des Geräts - nicht gezeigt)** – Diese blaue LED leuchtet auf, wenn das Gerät betriebsbereit ist.
2. **Thermal-LED (Oberseite des Geräts - nicht gezeigt)** - Diese rote LED leuchtet auf, wenn die internen Komponenten des Verstärkers zu heiß werden und der Thermalschutz aktiviert wird. Der Verstärker schaltet sich in diesem Fall zum Abkühlen aus.
3. **Schutz-LED (Oberseite des Geräts - nicht gezeigt)** – Diese gelbe LED leuchtet auf, wenn ein Kurzschluss oder eine zu geringe Impedanz an den Lautsprecheranschlüssen erkannt wird. Wenn dies eintritt, schaltet sich der Verstärker automatisch aus.
4. **Aluminiumguss-Kühlkörper** – Der Aluminiumguss-Kühlkörper des Punch-Verstärkers führt die durch die Schaltungsbauteile des Verstärkers erzeugte Wärme ab.
5. **Lautsprecheranschlüsse** – Die hochbelastbaren, vernickelten Klemmkabelanschlüsse (+ und -) nehmen Kabel der Stärken 8 bis 18 AWG auf.
6. **Punch-EQ-Fernbedienung (wahlweiser Regler)** - Die Fernbedienung des Punch-EQ wird mit einem RJ-45-Kabel angeschlossen. Bequemer Zugriff kann durch unterschiedliche Einbaumöglichkeiten erzielt werden. Der Regler dient dazu die Nieder- und/oder Hochfrequenzen anzuheben, um Straßengeräusche zu überkommen. Die angeschlossene Fernbedienung hebt die Rearkanalregelung des Punch-EQ am Verstärker auf.

HINWEIS: Vor 2007 hergestellte Modelle der Punch-Bass- und Para-Punch-Fernbedienungen können nicht mit diesen Verstärkern benutzt werden.

7. **Punch-EQ** - Ein Gyator-basierter Punch-EQ, der die bei einer Verstärkung entstehende Frequenzverschiebung eliminiert. Dies funktioniert gemeinsam mit dem Crossover-Schalter am Verstärker. Bei Einstellung auf Tiefpassbetrieb (LP) handelt es sich um eine variable Verstärkung der Bässe. Bei Einstellung auf Hochpassbetrieb (HP) handelt es sich um eine variable Verstärkung der Mitten und Höhen. Bei Einstellung auf Allpassbetrieb (AP) werden sowohl die Bässe als auch die Höhen verstärkt.
8. **Crossover-Schalter** - Dient zur Wahl des Hochpass- (HP), Allpass- (AP), oder Tiefpassbetriebs (LP).
9. **Variierbares Crossover** – Die Verstärker haben einen eingebauten 12 dB/Oktav Butterworth-Filter mit einem von 50 Hz bis 500 Hz variierbaren Crossover-Punkt.
10. **Lautstärkeregler** – Der Eingangslautstärkeregler ist werkseitig so eingestellt, dass er der Leistung der meisten Source-Geräte entspricht. Er kann den Ausgangspegeln einer Vielzahl von Source-Geräten angepasst werden.
11. **RCA-Anschlüsse** – Die genormten RCA-Anschlüsse ermöglichen einfaches Anschließen des Signalpegeleingangs. Sie sind platinplattiert, um der Signalverschlechterung verursachenden Korrosion zu widerstehen.
12. **Zwei-/Vierkanalschalter** - In der 2CH-Position werden die Eingänge in einen Zweikanalmodus geschaltet. Dies ermöglicht einen Vierkanalausgang bei ausschließlicher Belegung der Fronteingänge.
13. **Fernbedienungsanschluss** – Der hochbelastbare, vernickelte, unverlierbare C-Klemmkabelanschluss nimmt Kabel der Stärken 12 bis 24 AWG auf. Dieser Anschluss wird dazu benutzt, den Verstärker per Fernbedienung ein- bzw. auszuschalten, wenn +12V Gleichstrom angelegt werden.
14. **Stromanschlüsse** – Die Strom- und Erdungsanschlüsse sind vernickelte, unverlierbare C-Klemmkabelanschlüsse und nehmen Kabel bis Stärke 4 AWG auf.

Deutsch

EINBAUÜBERLEGUNGEN

Die nachfolgenden Werkzeuge werden für den Einbau benötigt:

Sicherungsfassung und Sicherung. (Siehe Technische Daten für Bemessungsstrom)	Batteriestützenschlüssel
Spannungs- und Widerstandsmesser	Handbohrer mit verschiedenen Bohrerstippen
Abisolierzange	Schrumpfschlauch (3 mm Durchmesser)
Drahtkripper	Verschiedene Anschlusssteile
Drahtschere	Angemessene Länge—Rotes Stromkabel
Kreuzschraubenzieher Nr. 2	Angemessene Länge—Fernbedienungsanschaltkabel
	Angemessene Länge—Schwarzes Erdungskabel

HINWEIS: Wir empfehlen Draht der Stärke 4 AWG für die Strom- (B+) und Masse-Anschlüsse (GND).

Dieser Abschnitt konzentriert sich auf Erwägungen hinsichtlich des Einbaus Ihres neuen Verstärkers im Fahrzeug. Vorausplanung Ihres Systemlayouts und der besten Verkabelungsrouten spart Zeit beim Einbau. Prüfen Sie bei der Wahl eines Layouts für Ihr neues System, ob alle Komponenten leicht erreichbar sind, um Einstellungen vorzunehmen.

 **VORSICHT:** Wenn Sie beim Einbau des Geräts unsicher sind, lassen Sie es bitte von einem qualifizierten Rockford Fosgate Techniker einbauen.

 **VORSICHT:** Entfernen Sie vor dem Einbau den negativen Batteriepol, um Schäden am Gerät, Feuer bzw. mögliche Verletzungen zu vermeiden.

Befolgen Sie vor dem Einbau diese einfachen Regeln:

1. Lesen Sie die Anleitung sorgfältig, bevor Sie versuchen das Gerät einzubauen.
2. Entfernen Sie vor dem Einbau aus Sicherheitsgründen das negative Kabel von der Batterie.
3. Um die Montage zu erleichtern, empfehlen wir, alle Kabel vor der Befestigung des Source-Geräts zu verlegen.
4. Verlegen Sie alle RCA-Kabel dicht zusammen und im Abstand zu jeglichen Hochstromkabeln.
5. Verwenden Sie nur Qualitätsstecker, um einen verlässlichen Einbau zu gewährleisten und Signal- und Stromverlust zu minimieren.
6. Denken Sie nach, bevor Sie bohren! Achten Sie darauf, nicht in den Benzintank, die Benzin-, Brems- oder hydraulische Leitungen, Vakuuleitungen oder Elektrokabel zu schneiden oder zu bohren, wenn Sie an einem Fahrzeug arbeiten.
7. Verlegen Sie Kabel nie unter dem Fahrzeug. Die Kabel im Fahrzeug zu verlegen, bietet den besten Schutz.
8. Vermeiden Sie es, Kabel über scharfe Kanten zu verlegen. Verwenden Sie Gummi- oder Plastikringe, um Kabel zu schützen, die durch Metall verlegt werden (besonders die Feuerwand).
9. Schützen Sie die Batterie und das elektrische System IMMER durch ordnungsgemäße Sicherungen vor Schäden. Installieren Sie die entsprechende Sicherungshalterung und Sicherung auf dem +12V Stromkabel maximal 45 cm vom Batteriepol.
10. Kratzen Sie bei der Erdung über das Fahrgestell alle Farbe vom Metall, um eine gute, saubere Erdungsverbindung zu gewährleisten. Erdungsverbindungen sollten so kurz wie möglich und stets an Metall angeschlossen sein, das an die Karosserie oder das Fahrgestell geschweißt ist.

BEFESTIGUNGSSTELLEN

Motorraum

Das Gerät darf nicht im Motorraum installiert werden. Ein solcher Einbau führt zum Verlust der Garantie.

Einbau im Kofferraum

Aufrechter oder umgekehrter Einbau des Verstärkers bietet adäquate Kühlung des Verstärkers.

Befestigung des Verstärkers auf dem Boden des Kofferraums bietet die beste Kühlung des Verstärkers.

Einbau im Innenraum

Befestigung des Verstärkers im Innenraum ist möglich, solange gewährleistet ist, dass der Verstärker genügend Luftzufuhr hat, um sich selbst zu kühlen. Wenn Sie den Verstärker unter dem Fahrzeugsitz befestigen, muss ein Luftspalt von wenigstens 2,54 cm um den Kühlkörper des Verstärkers herum vorhanden sein.

Befestigung des Verstärkers bei einem Luftspalt von weniger als 2,54 cm um den Kühlkörper des Verstärkers herum bietet keine ordnungsgemäße Kühlung und wirkt sich negativ auf die Leistung des Verstärkers aus. Von ihr wird dringend abgeraten.

BATTERIE UND AUFLADUNG

Verstärker belasten die Fahrzeugbatterie und das Ladesystem zusätzlich. Wir empfehlen, die Lichtmaschine und den Batteriezustand zu überprüfen, um zu gewährleisten, dass das elektrische System genügend Kapazität hat, um die zusätzliche Belastung durch Ihr Stereosystem zu verkraften. Gewöhnliche elektrische Systeme, die sich in gutem Zustand befinden, sollten in der Lage sein, die zusätzliche Belastung durch einen beliebigen Verstärker der Punch-Serie problemlos zu verkraften, jedoch kann sich die Lebensdauer der Batterie und Lichtmaschine etwas reduzieren. Wir empfehlen die Verwendung einer hochbelastbaren Batterie und eines Energiespeicherungskondensators, um die Leistung Ihres Verstärkers zu maximieren.

VERKABELUNG DES SYSTEMS

-  **VORSICHT:** Wenn Sie beim Einbau des Geräts unsicher sind, lassen Sie es bitte von einem qualifizierten Rockford Fosgate Techniker einbauen.
-  **VORSICHT:** Entfernen Sie vor dem Einbau den negative Batteriepol, um Schäden am Gerät, Feuer bzw. mögliche Verletzungen zu vermeiden.
-  **VORSICHT:** Vermeiden Sie es, Stromkabel in der Nähe von niedrigaktiven Eingangskabeln, der Antenne, Stromleitungen, empfindlichem Gerät oder Halterungen zu verlegen. Die Stromkabel leiten erheblichen Strom und können Geräusche im Audiosystem verursachen.

1. Planen Sie die Kabelrouten. Die RCA-Kabel sollen dicht zusammen bleiben, aber von den Stromkabeln des Verstärkers und anderem Hochleistungszubehör, insbesondere von elektrischen Motoren isoliert sein. Dies dient dazu, die Kupplung von Geräuschen aus elektrischen Strahlungsfeldern in das Audiosignal zu verhindern. Werden Kabel durch die Feuerwand oder andere Metallbarrieren geführt, die Kabel zur Vermeidung von Kurzschlüssen mit Plastik- oder Gummiringen schützen. Die Kabel zunächst etwas länger lassen und erst später exakt anpassen.

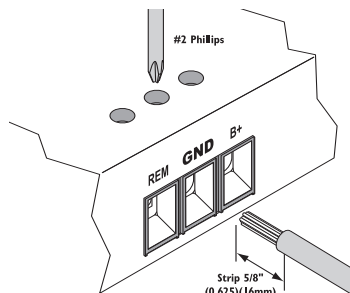
HINWEIS: Wir empfehlen Draht der Stärke 4 AWG für die Strom- (B+) und Masse-Anschlüsse (GND).

2. Das ROTE Kabel (Stromkabel) durch Abisolieren von 1,5 cm am Kabelende zur Befestigung am Verstärker vorbereiten. Das blanke Kabel in den B+-Anschluss einführen und die Einstellschraube zur Befestigung des Kabels anziehen.

HINWEIS: Das B+-Kabel muss maximal 45 cm von der Fahrzeugbatterie mit einer Sicherung ausgestattet sein. Den Sicherungshalter unter der Motorhaube anbringen und gewährleisten, dass die Anschlüsse wasserdicht sind.

3. Das ROTE Kabel (Stromkabel) maximal 45 cm von der Batterie abisolieren und einen Inline-Sicherungshalter einspleißen. Der Bemessungsstrom der zu verwendenden Batterie ist in den Technischen Daten aufgeführt. Zunächst noch KEINE Sicherung einsetzen.
4. Vom Batterieende des Stromkabels 13 mm Isolierung abziehen und einen großen, ringförmigen Stecker zur Befestigung am positiven Batteriepol an das Kabel crimpen. Die Sicherung noch nicht anbringen.
5. Das SCHWARZE Kabel (Erdungskabel) zur Befestigung am Verstärker durch Abziehen von 1,5 cm der Isolation am Kabelende vorbereiten. Das freigelegte Kabel in den GND-Pol einführen und die Befestigungsschraube anziehen. Den Untergrund am Fahrgestell durch Abkratzen der Farbe von der Metalloberfläche und sorgfältiges Reinigen des Bereichs von Schmutz und Schmiere vorbereiten. Die Isolation am anderen Ende des Kabels abziehen und einen ringförmigen Stecker anbringen. Das Kabel mittels einer nichteloxierten Schraube und einer Sternunterlegscheibe am Fahrgestell befestigen.

HINWEIS: Die Länge des SCHWARZEN Kabels (Erde) sollte so kurz wie möglich gehalten werden, jedoch stets maximal 75 cm.



6. Das Fernbedienungseinschaltkabel durch Abisolieren von 1,5 cm am Kabelende zur Befestigung am Verstärker vorbereiten. Das blanke Kabel in den Fernbedienungsanschluss einführen und die Einstellschraube zur Befestigung des Kabels anziehen. Das andere Ende des Fernbedienungskabels an eine geschaltete, positive 12 V-Quelle anschließen. Die geschaltete Spannung wird gewöhnlich vom Einschaltanschluss für externe Verstärker am Source-Gerät genommen. Ist ein solcher Anschluss am Source-Gerät nicht vorhanden, wird empfohlen, einen mechanischen Schalter in eine Leitung mit einer 12 V-Quelle einzubauen, um den Verstärker zu aktivieren..
7. Den Verstärker gut am Fahrzeug oder Verstärkergestell befestigen. Darauf achten, dass der Verstärker nicht an Papp- oder Plastikpanelen befestigt wird. Dies kann dazu führen, dass die Schrauben sich durch Straßenvibrationen oder plötzliches Anhalten aus den Panelen lösen.
8. Vom Quellsignal durch Einstöpseln der RCA-Kabel in die Eingangsbuchsen am Verstärker anschließen.

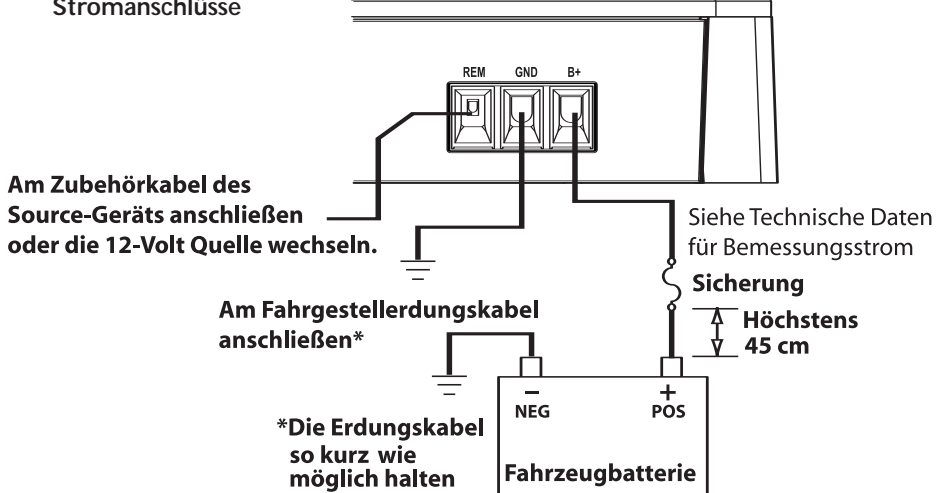
HINWEIS: Die RCA-Buchsen aller „AKTIVEN“ Eingänge müssen angeschlossen sein. In die 2CH.-Position schalten, „AKTIV“ - nur Frontkanäleingänge. In die 4CH.-Position schalten, „AKTIV“ - alle Front- und Rearkanäleingänge. Bei Anschließen an die Vierkanäleingänge darauf achten, dass sowohl die Front- als auch die Rear-RCA-Kabel dicht zusammen verlegt werden.

⚠ VORSICHT: Vor dem Anschließen von RCA-Kabeln stets gewährleisten, dass die Stromzufuhr zum Verstärker abgeschaltet oder entfernt wurde. Andernfalls können Verletzungen oder Schäden am Verstärker bzw. den angeschlossenen Komponenten verursacht werden.

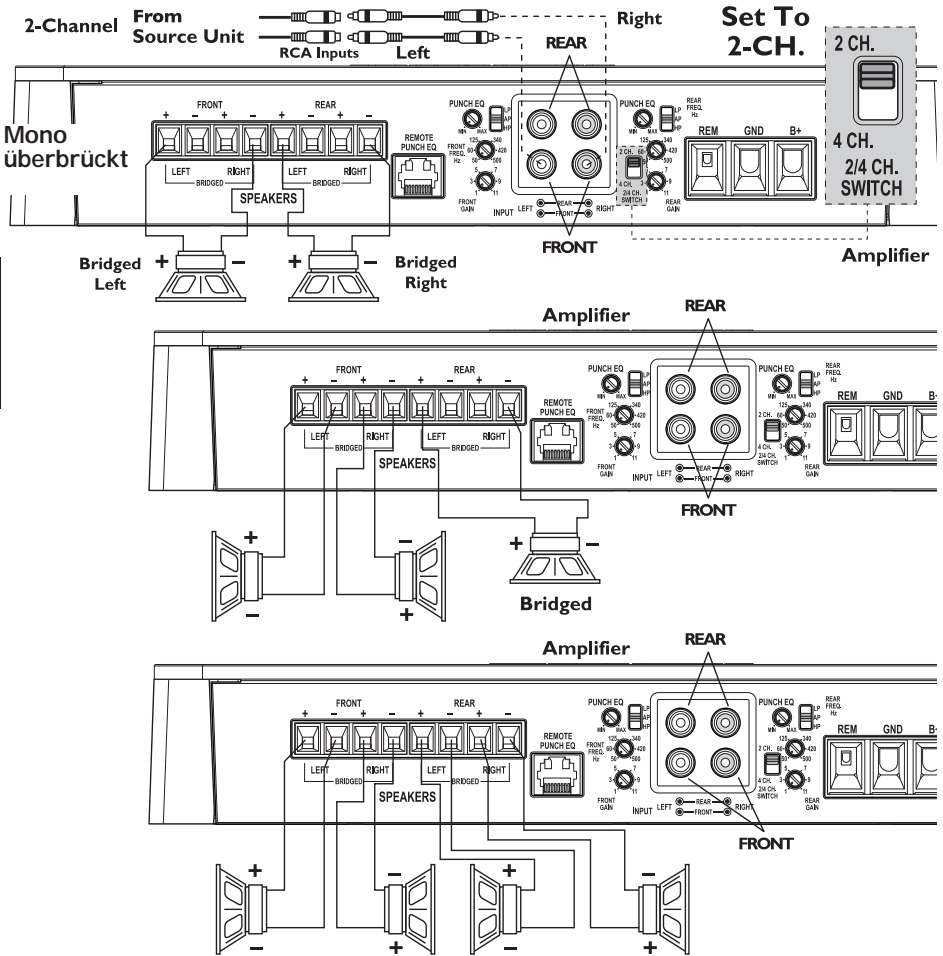
9. Die Lautsprecher anschließen. Von den Enden der Lautsprecherkabel 13 mm Isolation abziehen, dann die Kabel in das Lautsprecheranschlusstück einführen und die Befestigungsschraube fest anziehen. Die Lautsprecherkabel NICHT über das Fahrgestell erden, da dies zu unstabilem Betrieb führen kann.
10. Eine abschließende Prüfung des gesamten Kabelsystems durchführen, um zu gewährleisten, dass alle Verbindungen akkurat sind. Alle Strom- und Erdungsverbindungen auf durchgeriebene Kabel und lose Verbindungen prüfen, die Probleme verursachen könnten. Inline-Sicherung in der Nähe des Batterieanschlusses einbauen.

HINWEIS: Beachten Sie die Diagramme zur ordnungsgemäßen Signalpolarität.

Stromanschlüsse



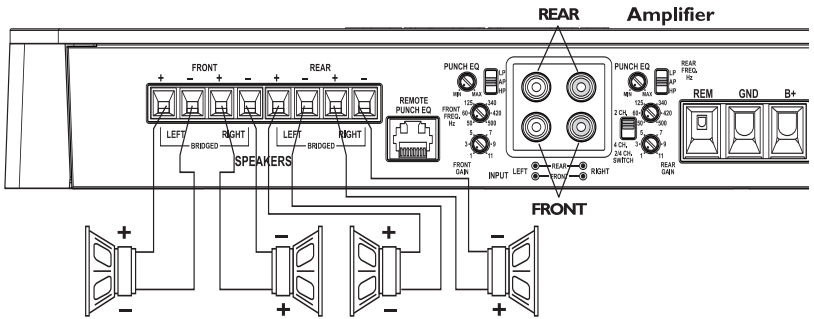
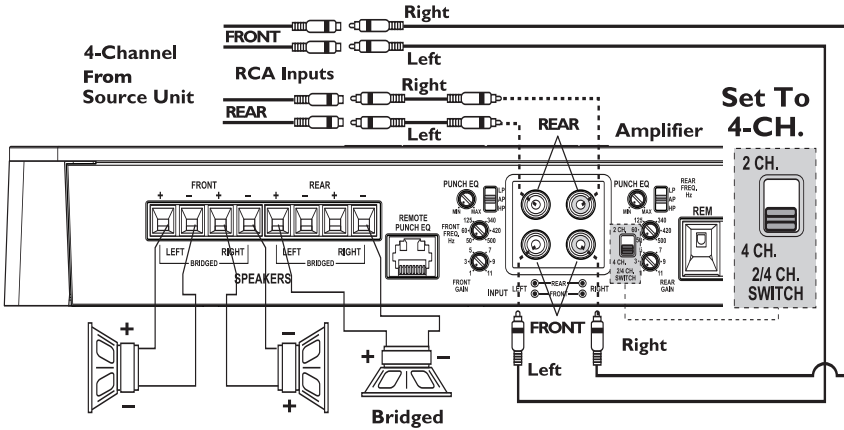
Zweikanalverkabelung



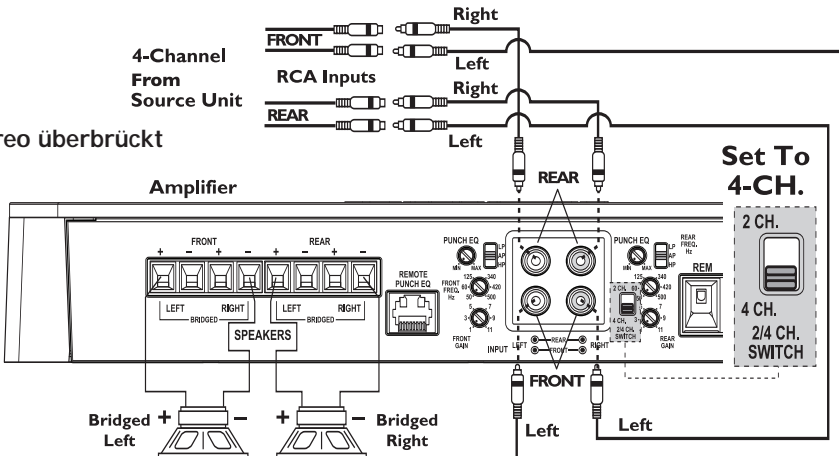
Deutsch

- RCA-Eingänge nur an den vorderen Eingängen anschließen.
- Zwei-/Vierkanalschalter für Zweikanalmodus nach oben legen.
- Lautstärke (vorn & hinten) – wird je nach Anwendung unabhängig eingestellt.
- Crossover (vorn & hinten) - wird je nach Anwendung unabhängig eingestellt.

Vierkanalverkabelung



Stereo überbrückt

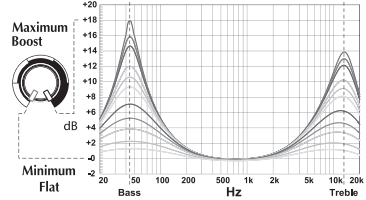
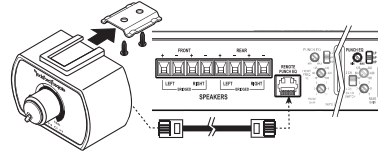


- Zwei-/Vierkanalschalter für Vierkanalmodus nach unten legen.
- Lautstärke (vorn & hinten) – wird ja nach Anwendung unabhängig eingestellt.
- Crossover (vorn & hinten) - wird ja nach Anwendung unabhängig eingestellt.

PUNCH-EQ-FERNBEDIENUNG (wahlweise)

HINWEIS: Vor 2007 hergestellte Modelle der Punch-Bass- und Para-Punch-Fernbedienungen können nicht mit diesen Verstärkern benutzt werden.

HINWEIS: Die der Fernbedienung beiliegende Bedienungsanleitung beschreibt verschiedene Einbaumöglichkeiten. Wählen Sie diejenige, die Ihren Anforderungen entspricht.



Bringen Sie Schnell An

1. Die Befestigungsklemme mithilfe der beiliegenden Schrauben einbauen.
2. Die Fernbedienung in die Befestigungsklemme einschieben, bis sie an ihrem Platz einrastet.
3. Verlegen Sie das Kabel, schließen Sie an Fernbedienung und Verstärker an.

Funktion

4. Funktioniert genauso wie der unten beschriebene Punch-EQ.

HINWEIS: Durch Anschließen der wahlweisen Fernbedienung wird die Rearkanalregelung des Punch-EQ am Verstärker aufgehoben.

⚠ VORSICHT: Übermäßige Auslenkung und nachfolgender Schaden können bei hohen Boost-Pegeln entstehen.

PUNCH EQ

Dies funktioniert gemeinsam mit dem Crossover-Schalter am Verstärker.

Bei Einstellung auf Tiefpassbetrieb (LP) handelt es sich um eine variable Verstärkung der Bässe.

Bei Einstellung auf Hochpassbetrieb (HP) handelt es sich um eine variable Verstärkung der Mitten und Höhen.

Bei Einstellung auf Allpassbetrieb (AP) werden sowohl die Bässe als auch die Höhen verstärkt.

Nehmen Sie Ihre persönliche Einstellung während des Zuhörens vor.

HINWEIS: Durch Anschließen der wahlweisen Fernbedienung wird die Rearkanalregelung des Punch-EQ am Verstärker aufgehoben.

CROSSOVER-FREQUENZ EINSTELLEN

Folgendes für jeden Kanal einzeln durchführen.

Zur Wahl des Hochpassmodus den Schalter am Verstärker in die HP-Position bringen. Dadurch werden Frequenzen oberhalb des Grenzpunkts durchgelassen (kann zwischen 50 und 500 Hz eingestellt werden).

Zur Wahl des Allpassmodus den Schalter am Verstärker in die AP-Position bringen. Dadurch wird eine Anpassung des Crossovers verhindert und alle Frequenzen werden durchgelassen.

Zur Wahl des Niedrigpassmodus den Schalter am Verstärker in die LP-Position bringen. Dadurch werden Frequenzen unterhalb des Grenzpunkts durchgelassen (kann zwischen 50 und 500 Hz eingestellt werden).

Den Crossover-Regler vollständig abdrehen. Während das System spielt, den Crossover-Regler langsam aufdrehen, bis der gewünschte Crossover-Punkt erreicht ist.

ZWEI-/VIERKANALSCHALTER

In der 2CH.-Position werden die Eingänge in einen Zweikanalmodus geschaltet. Dies ermöglicht einen Vierkanalausgang bei ausschließlicher Belegung der Fronteingänge.

Die Ausgangsregler am Verstärker funktionieren genauso wie im Vierkanalmodus.

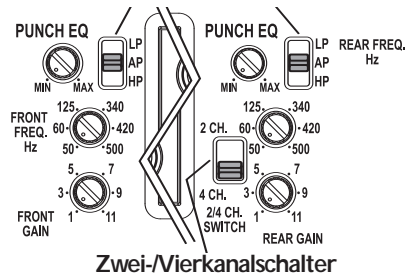
Die RCA-Buchsen aller „AKTIVEN“ Eingänge müssen angeschlossen sein.

In die 2CH.-Position schalten, „AKTIV“ - nur Frontkanaleingänge.

In die 4CH.-Position schalten, „AKTIV“ - alle Front- und Rearkanaleingänge.

HINWEIS: Bei Anschließen an die Vierkanaleingänge darauf achten, dass sowohl die Front- als auch die Rear-RCA-Kabel dicht zusammen verlegt werden.

Crossover-Schalter



LAUTSTÄRKE (GAIN) EINSTELLEN

Folgendes für jeden Kanal einzeln durchführen.

Zur Einstellung der Lautstärke die Lautstärkeregler des Verstärkers ganz nach unten stellen (nach links drehen). Die Lautstärke des Source-Geräts erhöhen, bis eine Verzerrung hörbar ist, dann ein wenig verringern, bis die Verzerrung nicht mehr hörbar ist. An den meisten Source-Geräten bedeutet dies ganz nach oben. Als Nächstes die Lautstärkeeinstellung des Verstärkers erhöhen, bis eine adäquate Lautstärke erreicht ist.

HINWEIS: Der beste Rauschabstand und Dynamikbereich werden bei einer auf das Minimum gestellten Lautstärke erreicht. Die meisten Benutzer finden, dass adäquate Lautstärke etwa in der Mitte des Einstellungsbereichs erzielt wird.

 **VORSICHT:** Vermeiden Sie, die Verstärkerlautstärke sehr hoch einzustellen, da Geräusche und Verzerrung sich dadurch wesentlich erhöhen.

HINWEIS: Kontaktieren Sie den technischen Kundendienst von Rockford für genauere Einstellungsverfahren.

FEHLERBESEITIGUNG

HINWEIS: Falls Sie nach dem Einbau Probleme haben, befolgen Sie die nachfolgenden Verfahren zur Fehlerbeseitigung:

Verfahren 1: Den Verstärker auf ordnungsgemäße Anschlüsse überprüfen.

Prüfen, ob die BETRIEBS-LED aufleuchtet. Leuchtet die BETRIEBS-LED auf, bei Schritt 3 weitmachen, falls nicht, hier weitmachen.

1. Die Sicherung auf dem positiven Batteriekabel überprüfen und nach Bedarf ersetzen.
2. Die Sicherung(en) am Verstärker überprüfen und nach Bedarf ersetzen.
3. Überprüfen, ob der Erdungsanschluss an blankem Metall am Fahrgestell des Fahrzeugs angeschlossen ist. Nach Bedarf reparieren oder ersetzen.
4. Überprüfen, ob an der positiven Batterie und am Fernbedienungseinschaltkabel 9 bis 16 Volt anliegen. Die Qualität der Anschlüsse für beide Kabel am Verstärker, Stereosystem und Batterie- bzw. Sicherungshalter überprüfen. Nach Bedarf reparieren oder ersetzen.

Verfahren 2: Schutz- oder Thermallicht leuchtet auf.

1. Falls das Schutzlicht aufleuchtet, bedeutet dies, dass möglicherweise ein Kurzschluss in den Lautsprecheranschlüssen vorliegt. Überprüfen, ob die Lautsprecher ordnungsgemäß angeschlossen sind. Einen Widerstandsmesser benutzen, um auf mögliche Kurzschlüsse in der Lautsprecherverkabelung zu prüfen. Eine zu niedrige Lautsprecherimpedanz kann ebenfalls dazu führen, dass das Schutzlicht aufleuchtet.
2. Leuchtet die Thermal-LED auf, die Lautsprecherimpedanz überprüfen und gfs. neu verkabeln. Dies kann auch ein Zeichen dafür sein, dass der Verstärker auf sehr hoher Leistung gefahren wird, ohne dass adäquater Luftstrom um den Verstärker herum vorhanden ist. Das System ausschalten und den Verstärker abkühlen lassen. Überprüfen, ob das Ladesystem des Fahrzeugs die erforderliche Spannung aufrechterhält. Sollte keiner dieser Schritte Abhilfe schaffen, ist der Verstärker möglicherweise defekt. Rufen Sie dann den Kundendienst an.

Verfahren 3: Den Verstärker auf Audioleistung überprüfen.

1. Gewährleisten Sie, dass gute RCA-Eingangsanschlüsse am Stereosystem und Verstärker vorliegen. Die gesamte Länge der Kabel auf Knicke, Spleiße usw. überprüfen. Die RCA-Eingänge bei eingeschaltetem Stereosystem auf Wechselspannung überprüfen. Nach Bedarf reparieren bzw. ersetzen.
2. Den RCA-Eingang vom Verstärker entfernen. Den RCA-Eingang vom Prüf-Stereosystem direkt an den Verstärkereingang anschließen.

Verfahren 4: Prüfen, ob beim Anstellen des Verstärkers ein Knacken auftritt.

1. Das Eingangssignal zum Verstärker entfernen und den Verstärker ein- und ausschalten.
2. Ist das Geräusch eliminiert, die FERNBEDIENUNGS-Ader des Verstärkers mit einem Verzögerungseinschaltmodul am Source-Gerät anschließen.

ODER

1. Eine andere 12V Quelle für die FERNBEDIENUNGS-Ader des Verstärkers (z.B. Batterie direkt) verwenden.
2. Falls das Geräusch eliminiert ist, ein Relais zur Isolierung des Verstärkers von Anschlaggeräuschen verwenden.

Verfahren 5: Den Verstärker auf übermäßige Motorengeräusche prüfen.

1. Alle signalübertragenden Kabel (RCA-, Lautsprecherkabel) von Strom- und Erdungskabeln entfernt verlegen.

ODER

FEHLERBESEITIGUNG

- Alle elektrischen Komponenten zwischen der Stereoanlage und dem/den Verstärker(n) umgehen. Die Stereoanlage direkt am Verstärkereingang anschließen. Falls das Geräusch eliminiert ist, ist das umgangene Gerät die Ursache des Geräuschs.

ODER

- Die vorhandenen Erdungskabel aller elektrischen Komponenten entfernen. Die Kabel an anderen Stellen wieder erden. Prüfen, ob die Erdungsstelle sauberes, glänzendes Metall ist, das frei von Farbe, Rost usw. ist.

ODER

- Ein zweites Erdungskabel vom Negativpol der Batterie zum Fahrgestellmetall oder Motorblock des Fahrzeugs hinzufügen.

ODER

- Die Drehstromlichtmaschine und Batterieladung von ihrem Mechaniker prüfen lassen. Die ordnungsgemäße Funktion des elektrischen Systems am Fahrzeug prüfen, und zwar einschließlich des Verteilers, der Zündkerzen, der Zündkerzenkabel, des Spannungsreglers usw.

TECHNISCHE DATEN

MODELL- Punch

Kontinuierliche Nennleistung (Mittelwert) - Bei 14,4 Batterie-Volt gemessen

P400-4

P500-4

4 Ω -Belastung pro Kanal	50 Watt x 4	60 Watts x 4
2 Ω -Belastung pro Kanal	100 Watt x 4	125 Watts x 4
4 Ω -Belastung überbrückt	200 Watt x 2	250 Watts x 2



Maße:	Höhe	5,71 cm	5,71 cm
	Breite	19,37 cm	19,37 cm
	Länge	33,07 cm	33,07 cm

Bemessungsstrom der Batteriesicherung (Amp) Extern (Liegt nicht bei)	80A	100A
---	-----	------

A-gewichteter Rauschabstand
Referenzwert bei 1 W an 4 Ohm

85 dB

A-gewichteter Rauschabstand
Referenzwert bei Nennstromwert an 4 Ohm

105 dB

Crossoversteilheit

12 dB/Oktav Butterworth

Crossoverfrequenz

von 50 bis 500 Hz variabel

Frequenzverhalten

20 Hz bis 20 kHz ± 1 dB

Einstellbarer Signalspannungsbereich

Von 150 mV bis 4 V variabel (RCA-Eingang)

Schutz

NOMAD - Interne Analog-Computer-Ausgangsschutzschaltung
beschränkt Stromzufuhr im Überlastungsfall und bietet
Schutz vor Kurzschlüssen. Thermaler Schalter schaltet
den Verstärker im Überhitzungsfall ab.

Entzerrung PEQ (Punch-Entzerrung)

Von 0 dB bis +18 dB bei 45 Hz und/oder
0 dB bis +12 dB bei 12 kHz variable

Eingangsimpedanz

20 K Ohm

Betriebsspannung

9 bis 16 V DC

Symmetrische Eingänge

Ja

CMRR (Gleichtaktunterdrückungsverhältnis)

>55dB @ 1kHz

Dämpfungsfaktor

>200

THD+N (Gesamtklirrfaktor + Geräusch)

<0,1 bei 2 Ohm und <0,05 bei 4 Ohm

Diese technischen Daten sind Amplifier Power Standard CEA-2006 normkonform

Die technischen Daten können sich ohne Ankündigung ändern.

Rockford Corporation bietet für Rockford Fosgate Produkte eine beschränkte Garantie zu folgenden Bedingungen:

Laufzeit der Garantie

**Source-Geräte, Lautsprecher, Signalprozessoren und PUNCH-Verstärker – 1 Jahr
POWER-Verstärker – 2 Jahre**

Alle werkseitig aufgearbeiteten Produkte – 90 Tage (Quittung erforderlich)

Was gedeckt ist

Diese Garantie erstreckt sich nur auf Rockford Fosgate Produkte, die von Rockford Fosgates Vertragshändlern an Verbraucher in den Vereinigten Staaten von Amerika oder deren Besitzungen verkauft wurden. Produkte, die von Rockford Fosgates Vertragshändlern an Verbraucher in einem anderen Land verkauft wurden, sind nur durch den Händler in dem betreffenden Land, nicht jedoch durch die Rockford Corporation gedeckt.

Wer ist gedeckt

Diese Garantie deckt nur den ursprünglichen Käufer von Rockford Produkten, die von einem Rockford Fosgate Vertragshändler in den Vereinigten Staaten gekauft wurden. Um Leistungen in Anspruch zu nehmen, muss der Käufer Rockford eine Kopie der Quittung vorlegen, die den Kundennamen, den Händlernamen, das Produkt und das Kaufdatum angibt.

Produkte, die sich während der Garantiezeit als defekt erweisen, werden nach Rockford Fosgates Ermessen repariert oder (mit einem Produkt, das als gleichwertig erachtet wird,) ersetzt.

Was nicht gedeckt ist

1. Durch Unfall, Missbrauch, unsachgemäßen Betrieb, Wasser, Diebstahl oder Versand verursachte Schäden
2. Jegliche Kosten, die im Zusammenhang mit Ein- bzw. Ausbau des Produkts entstanden sind
3. Leistungen, die nicht von Rockford oder einem autorisierten Rockford Fosgate Servicecenter erbracht wurden
4. Produkte, an denen die Seriennummer unkenntlich gemacht, verändert oder entfernt wurde
5. Folgeschäden an anderen Komponenten
6. Produkte, die außerhalb der USA gekauft wurden
7. Produkte, die nicht von einem Rockford Fosgate Vertragshändler gekauft wurden

Einschränkung von implizierten Garantien

Implizierte Garantien, einschließlich von Garantien der Eignung für einen bestimmten Zweck und Marktgängigkeit, werden auf den Zeitraum der obenstehenden ausdrücklichen Garantie beschränkt. Manche Staaten erlauben Einschränkungen der Gültigkeit der implizierten Garantie nicht. Daher trifft diese Einschränkung nicht in allen Fällen zu.

Inanspruchnahme des Kundendienstes

Kontaktieren Sie bitte den Rockford Fosgate Vertragshändler, bei dem Sie dieses Produkt gekauft haben. Benötigen Sie zusätzliche Hilfe, rufen Sie den Kundendienst von Rockford unter 1-800-669-9899 an. Sie erhalten dann eine RA# (Rücksendungsautorisierungsnummer), um jegliche Produkte an Rockford Fosgate zurückzusenden. Sie sind für die Rücksendung des Produkts an Rockford verantwortlich.

EU-Garantie

Dieses Produkt entspricht den gültigen EU-Garantiebestimmungen. Sprechen Sie mit Ihrem Vertragshändler über die Einzelheiten.

INTRODUZIONE

Egregio cliente,

Congratulazioni per aver acquistato la miglior marca di amplificatori per auto a livello mondiale. Alla Rockford Fosgate, siamo fanatici per quanto riguarda la miglior riproduzione musicale e siamo compiaciuti che abbiate scelto il nostro prodotto. Dopo anni di competenza ingegneristica, maestria manuale e procedure di prova critica, abbiamo creato una larga gamma di prodotti che riproducono la musica con la limpidezza e la pienezza che vi meritate.

Per ottenere le massime prestazioni vi consigliamo di far installare il vostro nuovo prodotto Rockford Fosgate da un rivenditore autorizzato, in quanto noi forniamo un addestramento specializzato ai nostri tecnici attraverso il Rockford Fosgate Technical Training Institute (RTTI). Vi preghiamo di leggere con cura i termini della garanzia e di serbare sia la ricevuta che l'imballaggio originale per qualsiasi evenienza futura.

Un prodotto superiore ed un'installazione competente rappresentano soltanto una parte del quadro generale quando si tratta del vostro sistema audio. Dovrete assicurarvi che il vostro installatore abbia utilizzato accessori da installazione della Rockford Fosgate, autentici al 100%. La Rockford Fosgate ha proprio tutto—da cavi e fili RCA per altoparlanti a connettori Power di linea e di batterie. Insistete! Dopo tutto, il vostro nuovo sistema audio si merita solo il meglio.

Per aggiungere poi il tocco finale alla vostra nuova immagine da Rockford Fosgate, dovete ordinare gli accessori Rockford, che comprendono di tutto—dalle magliette e le giacche ai cappelli e gli occhiali da sole.

Per ottenere un opuscolo gratuito illustrante i prodotti della Rockford Fosgate nonché gli accessori,

visitare il nostro sito: www.rockfordfosgate.com

oppure, negli USA, chiamare il numero 1-800-669-9899 o il FAX 1-800-398-3985.

Da tutti gli altri paesi, telefonare al numero +001-480-967-3565 oppure inviare una fax al numero +001-480-967-8132.

ITALIANO

OSSERVATE LE REGOLE DEL "SUONO SENZA PERICOLI"

La costante esposizione a livelli di pressione acustica al di sopra dei 100dB possono causare la perdita permanente dell'udito. I sistemi audio ad alta potenza possono produrre livelli di pressione acustica ben superiori ai 130dB. Si consiglia il buon senso e l'osservanza delle regole del "suono senza pericoli"

Se dopo aver letto il vostro manuale, avete ancora delle domande al riguardo del vostro prodotto, vi preghiamo di consultare il vostro rivenditore Rockford Fosgate. Se necessitaste di qualsiasi assistenza ulteriore, potrete telefonarci direttamente al numero 1-800-669-9899. Vi chiederemo di fornire il vostro numero di serie, numero di modello, e la data d'acquisto.

Il numero di serie è ubicato sull'esterno della scatola. Vi preghiamo di annotarlo in modo permanente nello spazio fornito di sotto. Questo numero vi servirà da verifica nei confronti della vostra garanzia di fabbrica e potrebbe rivelarsi utile nel recupero della vostra unità di fonte se mai venisse rubata.

Numero di serie: _____

Numero di modello: _____

INDICE

Introduzione	2
Istruzioni di sicurezza	3
Caratteristiche del design	4
Installazione	5-9
Considerazioni sull'installazione	5
Posizionamento	5
Batteria e caricamento	6
Cablaggio del sistema	6

Funzionamento	10-11
Equalizzatore Punch a distanza (opzionale)	10
Equalizzatore Punch	10
Regolazione della frequenza di incrocio ..	10
Interruttore 2/4 canali	10
Regolazione del guadagno	11
Individuazione/riparazione guasti ..	11-12
Specifiche	12
Informazioni inerenti alla garanzia limitata	13

NOTA: Ripassare ciascuna sezione per ulteriori raggugli.

©2007 Rockford Corporation. Tutti i diritti riservati.

Rockford Fosgate, il logo Rockford Fosgate, il logo POWER e il logo PUNCH sono marchi di fabbrica depositati o marchi di fabbrica di Rockford Corporation.

PRIMI PASSI

Benvenuti alla Rockford Fosgate! Questo manuale è stato concepito per fornire ragguagli al proprietario, al rivenditore e all'installatore. Per coloro che desiderano informazioni rapide circa l'installazione di questo prodotto, vi preghiamo di consultare la **sezione Installazione** di questo manuale. Altri ragguagli sono disponibili attraverso l'Indice. Alla Rockford Fosgate, abbiamo fatto di tutto per assicurarci che tutte le informazioni contenute in questo manuale fossero d'uso corrente. Pertanto, dato che siamo sempre alla ricerca di nuovi modi per migliorare i nostri prodotti, tali informazioni sono soggette a modifiche senza preavviso.

ISTRUZIONI DI SICUREZZA

AVVERTIMENTO

Questo simbolo con la dicitura "**AVVERTIMENTO**" intende avvertire l'utente alla presenza di istruzioni importanti. La mancata osservanza di queste istruzioni potrebbe causare gravi lesioni personali o persino la morte.

ATTENZIONE

Questo simbolo con la dicitura "**ATTENZIONE**" intende avvertire l'utente alla presenza di istruzioni importanti. La mancata osservanza di queste istruzioni potrebbe causare gravi lesioni personali o danni all'unità.

ATTENZIONE:

Per evitare lesioni personali e danni all'unità, vi preghiamo di leggere e seguire le istruzioni in questo manuale. Desideriamo che questo sistema audio vi procuri soddisfazione, non un mal di capo.

ATTENZIONE:

Se avete dei dubbi circa l'installazione, rivolgetevi ad un tecnico qualificato della Rockford Fosgate.

ATTENZIONE:

Prima dell'installazione, scollegate il terminale negativo (-) della batteria per evitare danni all'unità, pericoli d'incendio e/o potenziali lesioni personali.

CONTENUTO DELL'IMBALLAGGIO

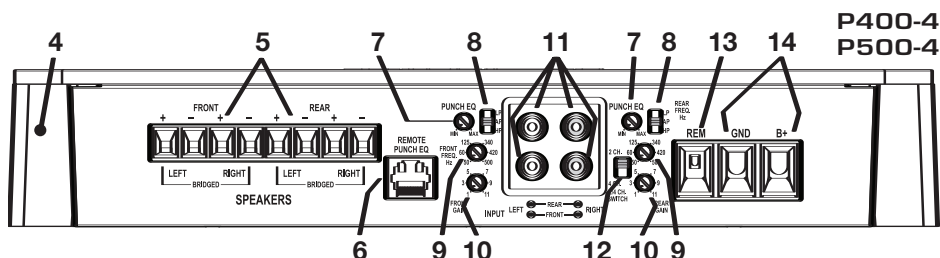
Modello P400-4 o P500-4 Amplificatore di potenza a 4 canali

Manuale di installazione e funzionamento
Kit per gli attrezzi da montaggio

Il kit per gli attrezzi compreso con ciascun amplificatore contiene tutti gli attrezzi da montaggio necessari per fissare l'amplificatore al veicolo.

Vi preghiamo di visitare il nostro sito internet per le più recenti informazioni su tutti i prodotti Rockford.

www.rockfordfosgate.com



P400-4
P500-4

1. **LED alimentazione (parte superiore dell'unità - non indicato)** – Questo LED blu si accende quando l'unità viene accesa.
2. **LED termico (sulla parte superiore dell'unità, non mostrato)** - questo LED rosso si accende per indicare che è scattata la protezione da surriscaldamento perché gli elementi interni dell'amplificatore si sono surriscaldati. Quando ciò si verifica l'amplificatore si spegne e rimane spento finché non si è raffreddato.
3. **LED di protezione (parte superiore dell'unità - non indicato)** – Questo LED giallo si accende se viene rilevato un corto circuito o un'impedenza troppo bassa ai collegamenti con i diffusori. In tal caso, l'amplificatore si spegne automaticamente.
4. **Dissipatore di calore in alluminio fuso** – Il dissipatore di calore in alluminio fuso dell'amplificatore Punch dissipa il calore generato dalla circuiteria dell'amplificatore.
5. **Terminali degli altoparlanti** – I connettori tipo morsetto placcati in nichel (+ e -) sono in grado di accettare conduttori di diametro compreso tra 8 e 18 AWG.
6. **Remote Punch EQ (comando equalizzatore Punch a distanza opzionale)** - il collegamento del Remote Punch Bass si effettua tramite cavo RJ-45 e può essere eseguito in modi diversi per facilitare l'accesso al comando. Il comando serve a elevare le informazioni di bassa e/o alta frequenza per sopprimere il rumore della strada. Quando è collegato, il comando a distanza sostituisce quello del canale posteriore dell'equalizzatore Punch sull'amplificatore.

NOTA: i vecchi comandi a distanza Punch Bass e Para-Bass (quelli prima del 2007) non funzioneranno con questi amplificatori.

7. **Equalizzatore Punch** - un equalizzatore Punch basato su gyator che elimina lo spostamento di frequenza con l'aumento. Questo funziona assieme all'interruttore di crossover sull'amplificatore. Quando è impostato su operazione Low-Pass (LP), questo rappresenta un valore variabile di aumento dei bassi. Quando è impostato su operazione High-Pass (HP), questo rappresenta un valore variabile di aumento dei bassi intermedi e dei toni acuti. Quando è impostato su operazione All Pass (AP), sia le frequenze dei bassi che quelle dei toni acuti sono aumentate.
8. **Interruttore di crossover** - interruttore selezionabile per funzionamento High-Pass (HP), passa-alto, All Pass (AP), passa-tutto, o Low-Pass (LP), passa-basso.
9. **Frequenza di incrocio variabile** – Gli amplificatori hanno un filtro Butterworth incorporato da 12dB/ottava con un punto di incrocio variabile dai 50Hz ai 500Hz.
10. **Comando del guadagno** – Il comando del guadagno d'ingresso è stato prerogolato per essere conforme con l'uscita della maggiore parte delle unità di fonte. Può essere regolato in modo da conformarsi ai livelli di uscita provenienti da una varietà di unità di fonte.
11. **Spinotti d'ingresso RCA** – Gli spinotti RCA standard di fabbrica forniscono un collegamento facile per l'ingresso del livello di segnale. Sono placcati in nichel per prevenire le alterazioni del segnale causate dalla corrosione.
12. **Interruttore 2/4 canali** - impostando questo interruttore sulla posizione 2CH (2 canali), si commutano gli ingressi alla modalità a 2 canali, permettendo il collegamento solo agli ingressi anteriori con un'uscita a 4 canali.
13. **Terminale REM** – Questo connettore robusto a morsetto placcato in nickel è in grado di accettare conduttori di diametro compreso tra 12 AWG e 24 AWG. Questo terminale viene utilizzato per accendere o spegnere l'amplificatore a quando viene alimentato con +12V c.c.
14. **Terminali di potenza** – I connettori a morsetto di alimentazione e di massa sono placcati in nickel e sono in grado di accettare conduttori di diametro fino a 4 AWG.

CONSIDERAZIONI SULL'INSTALLAZIONE

Segue un elenco degli utensili necessari per eseguire l'installazione:

- | | |
|---|--|
| Portafusibile e fusibile.
(Per informazioni sulla portata dei fusibili, consultare le specifiche.) | Chiave per morsetto batteria |
| Voltmetro/ohmetro | Trapano e punte assortite |
| Pinze spelafili | Guaina termoretraibile avente un diametro di 0,32 cm |
| Pinze raggrinzafili | Connettori vari |
| Pinze tagliafili | Lunghezza adeguata—Filo di tensione rosso |
| Cacciavite a croce no.2 | Lunghezza adeguata—Filo di accensione a telecomando |
| | Lunghezza adeguata—Filo di massa nero |

NOTA: Per il collegamento di alimentazione (B+) e massa (GND) consigliamo di usare conduttori di misura 4 AWG.

Questa sezione si concentra su alcune considerazioni a livello di veicolo inerenti all'installazione del vostro nuovo amplificatore. Programmando a priori la configurazione del vostro sistema audio nonché i migliori cablaggi, risparmierete tempo durante l'installazione. Quando avrete deciso la miglior configurazione per il vostro nuovo sistema audio, assicuratevi di poter accedere facilmente a ciascuna componente per effettuare le regolazioni necessarie.

 **ATTENZIONE:** Se avete dei dubbi circa l'installazione, rivolgetevi ad un tecnico qualificato Rockford Fosgate.

 **ATTENZIONE:** Prima dell'installazione, scollegate il terminale negativo (-) della batteria per evitare danni all'unità, pericoli d'incendio e/o potenziali lesioni personali.

Prima di iniziare qualsiasi operazione d'installazione, vi consigliamo di seguire queste semplici regole:

1. Assicuratevi di aver letto tutte le istruzioni con cura e di averle capite prima di effettuare qualsiasi tentativo d'installazione nei confronti dell'unità.
2. Per motivi di sicurezza, scollegate il cavo negativo dalla batteria prima di dare l'avvio all'installazione.
3. Per facilitare l'installazione, vi consigliamo di far scorrere tutti i cavi prima di montare la vostra unità di fonte nell'ubicazione desiderata.
4. Fate passare tutti i cavi RCA vicini l'uno all'altro ma lontano da fili ad alta tensione.
5. Usate connettori di alta qualità per garantire un'installazione che dà affidamento e per ridurre al minimo la perdita di segnali o di potenza.
6. State attenti prima di trapanare! Cercate di non trapanare e di non tagliare i serbatoi della benzina; le condutture del carburante, dei freni, del sistema idraulico e a depressione; nonché i fili elettrici quando state lavorando su qualsiasi veicolo.
7. Non fate mai scorrere i fili sotto il veicolo. Avrete la protezione migliore facendo scorrere i fili all'interno del veicolo.
8. Evitate di far scorrere i fili sopra o attraverso delle estremità affilate. Usate guarnizioni di tenuta in gomma o in plastica per proteggere qualsiasi filo che passi attraverso del metallo, soprattutto il paraframma.
9. Proteggete SEMPRE sia la batteria che il sistema elettrico usando fusibili adatti. Installate sia un fusibile che un portafusibili adeguati sul filo a tensione da +12V entro 45,7 cm. dal terminale della batteria.
10. Quando eseguite la messa a terra del telaio del veicolo, raschiate tutta la vernice dal metallo per assicurarvi un collegamento a terra pulito e saldo. I collegamenti a terra dovrebbero essere più corti possibile e sempre a contatto di metallo che sia saldato all'autotelaio del veicolo.

POSIZIONAMENTO

Scompartimento del motore

Non montate mai questa unità nello scompartimento del motore. Ciò annullerà la vostra garanzia.

Montaggio nel bagagliaio

Il montaggio dell'amplificatore in posizione verticale o invertita sarà sufficiente a fornire adeguato raffreddamento all'unità.

Se l'amplificatore viene montato sul fondo del bagagliaio, si ottiene il migliore raffreddamento dell'unità.

INSTALLAZIONE

Montaggio nello scappartimento passeggeri

Se montate l'amplificatore nell'abitacolo, esso funzionerà finché possiate fornire una quantità sufficiente di aria per permettere all'amplificatore di raffreddarsi. Se avete intenzione di montare l'amplificatore sotto il sedile del veicolo, dovete lasciare un vuoto d'aria di almeno 2,54 cm attorno al dissipatore di calore dell'amplificatore.

Se montate l'amplificatore nell'abitacolo, lasciando un vuoto d'aria meno di 2,54 cm attorno al suo dissipatore di calore, non otterrete il raffreddamento necessario e ciò comprometterà notevolmente la prestazioni dell'amplificatore. Pertanto, non è assolutamente raccomandabile.

BATTERIA E CARICAMENTO

Gli amplificatori rappresentano un ulteriore carico sulla batteria e sul sistema di caricamento del veicolo. Si consiglia di controllare la condizione dell'alternatore e della batteria per assicurarsi che il sistema elettrico sia in grado di far fronte al carico aggiuntivo dovuto al sistema stereofonico. I sistemi elettrici standard in buone condizioni dovrebbero poter far fronte al carico supplementare di qualsiasi amplificatore della serie Punch senza alcun problema, sebbene la vita della batteria nonché quella dell'alternatore potrebbero ridursi leggermente. Per sfruttare al massimo le prestazioni del vostro amplificatore, vi consigliamo di utilizzare una batteria robusta ed un condensatore ad accumulazione di energia.

CABLAGGIO DEL SISTEMA

- ATTENZIONE:** Se avete dei dubbi circa l'installazione, rivolgetevi ad un tecnico qualificato della Rockford Fosgate.
- ATTENZIONE:** Prima dell'installazione, scolgate il terminale negativo (-) della batteria per evitare danni all'unità, pericoli d'incendio e/o potenziali lesioni personali.
- ATTENZIONE:** Evitate di far scorrere i fili elettrici vicino ai cavi d'entrata a basso livello, alle antenne, ai cavi di tensione, ad attrezzature sensibili o a cablaggi preassemblati. I fili elettrici portano una tensione notevole e potrebbero indurre rumori dentro il sistema audio.

1. Programmate il cablaggio dei fili. Tenete i fili RCA insieme ma isolati dai cavi a tensione dell'amplificatore e da qualsiasi accessorio auto ad alta tensione, soprattutto i motori elettrici. Ciò è necessario per evitare che il rumore proveniente da campi elettrici irradiati possa accoppiarsi con il segnale audio. Quando fate scorrere i fili attraverso il paraframma o attraverso qualsiasi barriera metallica, proteggerli con delle guarnizioni di tenuta in gomma o in plastica per evitare i cortocircuiti. Lasciate i fili piuttosto lunghi a questo punto; più tardi potrete regolare la loro lunghezza in modo più preciso.

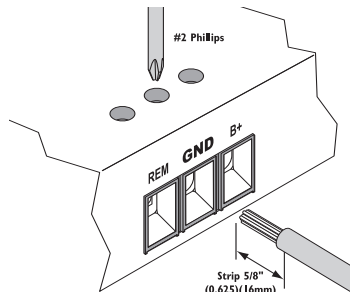
NOTA: Per il collegamento di alimentazione (B+) e massa (GND) consigliamo di usare conduttori di misura 4 AWG.

2. Preparare il filo ROSSO (cavo di alimentazione) per il collegamento all'amplificatore, rimuovendo circa 13 mm di isolante dall'estremità del filo. Inserire la parte scoperta del cavo nel terminale B+ e stringere la vite di arresto per fissarlo in posizione.

NOTA: Il cavo B+ DEVE avere un fusibile a non più di 45,7 cm dalla batteria del veicolo. Installare il portafusibili sotto il cofano e verificare che i collegamenti siano a tenuta stagna.

3. Tagliare il cavo ROSSO (alimentazione) entro 45,7 cm dall'amplificatore e inserire un portafusibili in linea. Per informazioni sulla portata dei fusibili da usare, consultare il capitolo Specifiche. NON installare il fusibile a questo punto.
4. Spelate via 1,27 cm dall'estremità batteria del cavo a tensione e raggrinzite un grosso terminale ad anello contro il cavo. Usate il terminale ad anello per effettuare un collegamento al terminale positivo della batteria. **NON installate ancora il fusibile.**
5. Preparate il filo NERO (cavo della messa a terra) per poterlo attaccare all'amplificatore, spelando via 13 mm di isolante dall'estremità del filo. Inserite il filo spelato dentro il terminale GND e stringete la vite di arresto per fissare il cavo. Preparate la messa a terra del telaio raschiando via la vernice dalla superficie metallica e pulitela accuratamente, rimuovendo ogni traccia di lubrificazione e di sudiciume. Spelate l'altra estremità del filo e attaccategli un serrafili ad anello. Fissate il cavo al telaio usando una vite non anodizzata e una rondella a stella.

NOTA: Far in modo che il cavo NERO (Massa) sia il più corto possibile. Sempre meno di 76 cm.



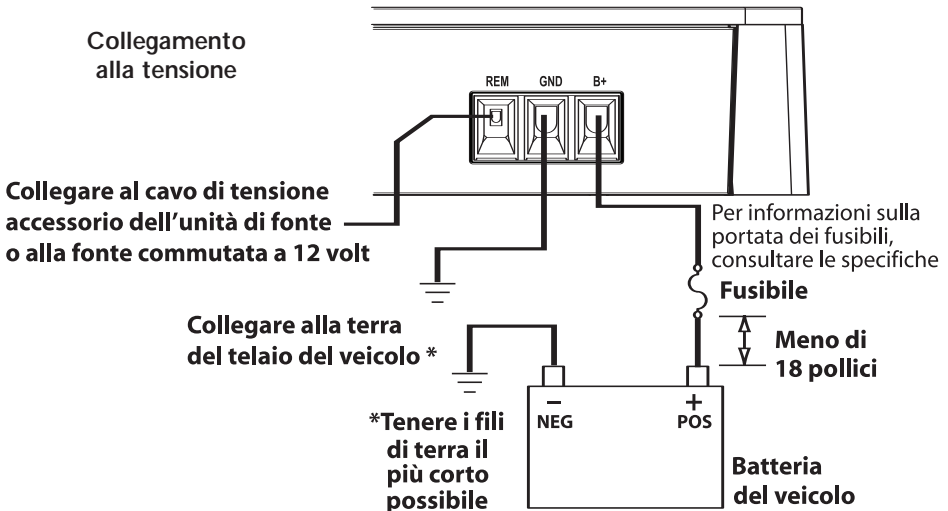
6. Preparare il cavo di accensione REM per il collegamento all'amplificatore, rimuovendo circa 13 mm di isolante dall'estremità del filo. Inserire la parte scoperta del cavo nel terminale REM e stringere la vite di arresto per fissarlo in posizione. Collegare l'altro estremo del cavo REM a una fonte positiva commutata a 12 Volt. La tensione commutata proviene generalmente dal cavo dell'accensione remota dell'amplificatore dell'unità di fonte. Qualora l'unità sorgente non avesse tali uscite disponibili, la soluzione consigliata consiste nel cablare un commutatore meccanico in linea con una fonte da 12 volt per attivare l'amplificatore.
7. Montate l'amplificatore saldamente al veicolo o all'apposita struttura di supporto. Assicuratevi di non montare l'amplificatore su pannelli di plastica o di cartone in quanto ciò potrebbe permettere alle viti di allentarsi e di fuoriuscire dal pannello durante le vibrazioni stradali o se il veicolo dovesse arrestarsi improvvisamente.
8. Collegare il segnale di fonte inserendo i cavi RCA negli spinotti d'ingresso ubicati sull'amplificatore stesso.

NOTA: Tutti gli ingressi "ATTIVI" devono avere jack RCA collegati. Interruttore in posizione 2CH., "ATTIVO": solo ingressi canali anteriori. Interruttore in posizione 4CH., "ATTIVO": tutti gli ingressi canali anteriori e posteriori. Quando ci si collega agli ingressi 4-canali, accertarsi di tenere assieme strettamente i cavi RCA anteriori e posteriori.

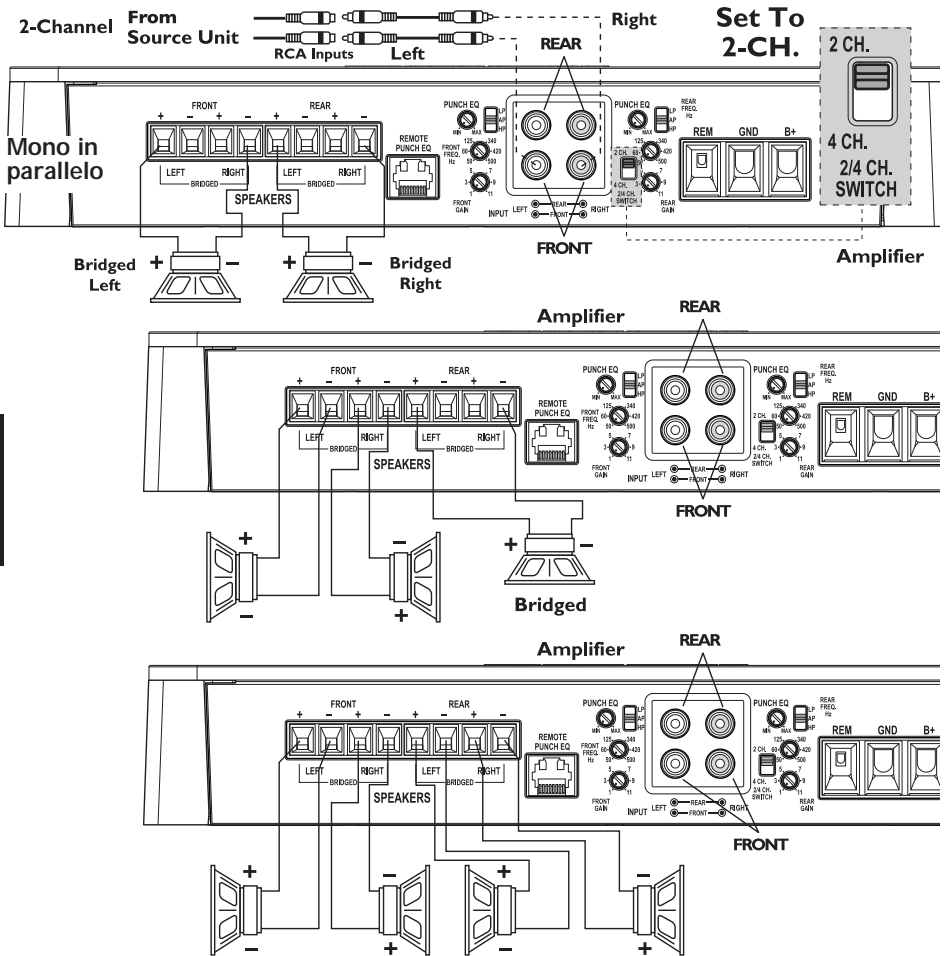
⚠ ATTENZIONE: Verificare sempre che l'alimentazione sia spenta o scollegata presso l'amplificatore prima di collegare cavi RCA. In caso contrario si potrebbero causare lesioni, danni all'amplificatore o ai componenti collegati.

9. Collegare gli altoparlanti. Spelate i fili degli altoparlanti di 1,27 cm e inseriteli nel terminale degli altoparlanti, stringendo la vite di arresto per fissarli. Assicuratevi di mantenere la corretta polarità per gli altoparlanti. **NON** collegare a massa nessuno dei cavi dell'amplificatore in quanto ciò potrebbe dar luogo ad un funzionamento instabile.
10. Eseguite un controllo finale dell'intero cablaggio del sistema per assicurarvi che tutti i collegamenti siano corretti. Controllate tutti i collegamenti di tensione e di massa per la presenza di fili sfrangiati o di collegamenti allentati che potrebbero dar luogo a problemi. Installare il fusibile in linea vicino al collegamento della batteria.

NOTA: Seguite i diagrammi per ottenere la corretta polarità di segnale.



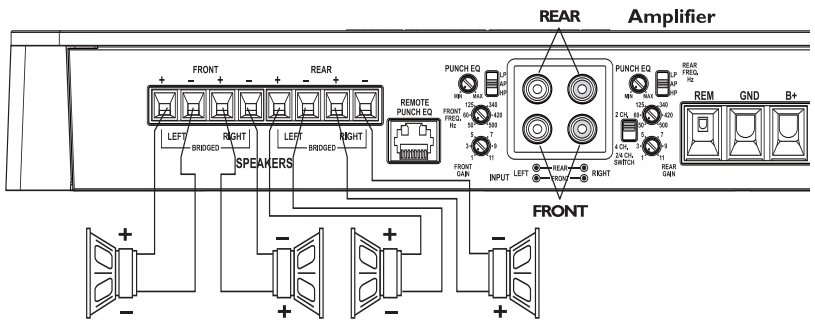
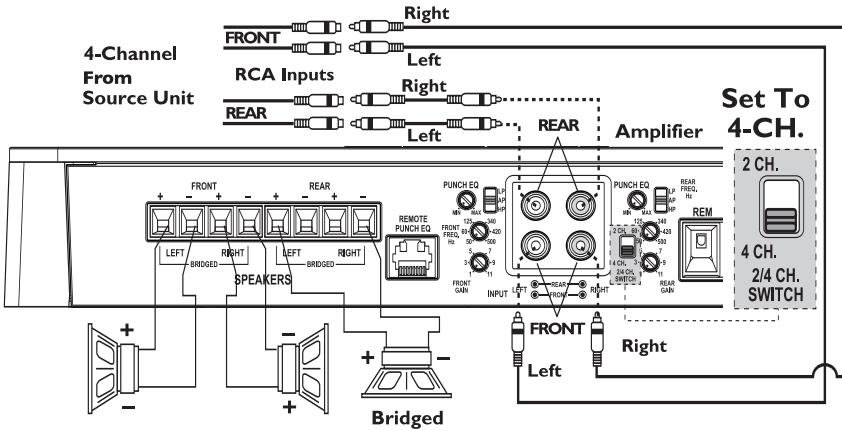
Cablaggio a 2 canali



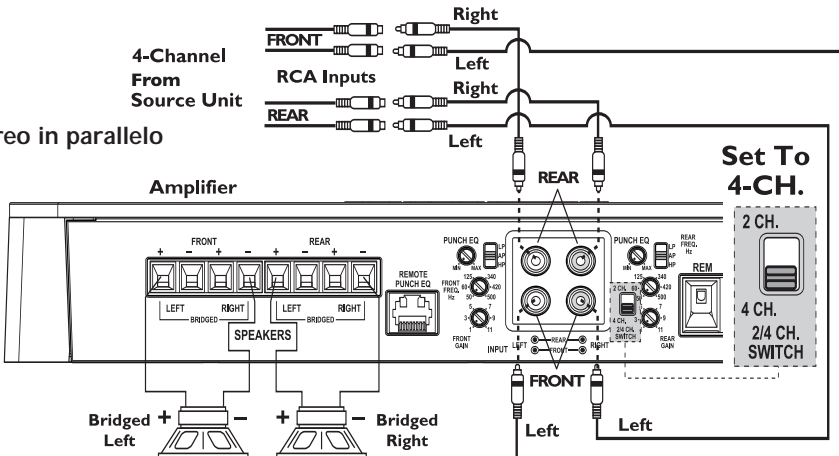
Italiano

- **Gli ingressi RCA** si collegano solo agli ingressi ANTERIORI.
- **INTERRUTTORE 2/4 CANALI** in posizione in alto per l'impostazione 2CH (2 canali).
- **Guadagno (anteriore e posteriore)** - impostato in maniera indipendente a seconda dell'applicazione.
- **Crossover (anteriore e posteriore)** - impostata in maniera indipendente a seconda dell'applicazione.

Cablaggio a 4 canali



Stereo in parallelo



- **INTERRUTTORE 2/4 CANALI** in posizione in basso per l'impostazione 4CH (4 canali).
- **Guadagno (anteriore e posteriore)** - impostato in maniera indipendente a seconda dell'applicazione.
- **Crossover (anteriore e posteriore)** - impostata in maniera indipendente a seconda dell'applicazione.

FUNZIONAMENTO

EQUALIZZATORE PUNCH A DISTANZA (opzionale)

NOTA: i vecchi comandi a distanza Punch Bass e Para-Bass (quelli prima del 2007) non funzioneranno con questi amplificatori.

NOTA: Utilizzare le istruzioni fornite con il comando a distanza per determinare lo schema di installazione preferito tra quelli possibili.

Rapidamente Installi

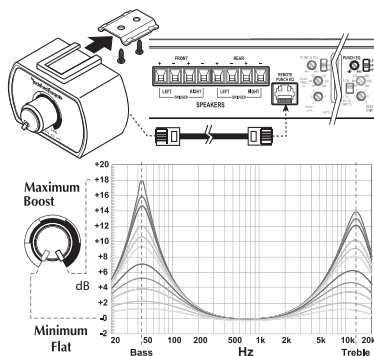
1. Usando le viti fornite, installare la graffa di montaggio.
2. Fare scivolare il comando a distanza sulla graffa di montaggio fino a farlo scattare.
3. Posiziona il cavo, collegano alla comando a distanza ed all'amplificatore.

Funzionamento

4. Il funzionamento è lo stesso dell'equalizzatore Punch illustrato sotto.

NOTA: Il collegamento del comando a distanza opzionale sostituisce il comando del canale posteriore dell'equalizzatore Punch sull'amplificatore.

ATTENZIONE: A livelli elevati di intensità si potrebbe raggiungere il limite della corsa, causando danni all'unità.



Italiano

EQUALIZZATORE PUNCH

Questo funziona assieme all'interruttore di crossover sull'amplificatore.

Quando è impostato su operazione Low-Pass (LP), questo rappresenta un valore variabile di aumento dei bassi. Quando è impostato su operazione High-Pass (HP), questo rappresenta un valore variabile di aumento dei bassi intermedi e dei toni acuti.

Quando è impostato su operazione All Pass (AP), sia le frequenze dei bassi che quelle dei toni acuti sono aumentate. Impostare il comando sul valore preferito mentre si ascolta.

NOTA: Il collegamento del comando a distanza opzionale sostituisce il comando del canale posteriore dell'equalizzatore Punch sull'amplificatore.

REGOLAZIONE DELLA FREQUENZA DI INCROCIO

Eseguire le seguenti operazioni separatamente per ciascun canale.

Spostando l'interruttore alla posizione HP si potrà regolare l'amplificatore sul modo di frequenza passa-alto, permettendo alle frequenze al di sopra della frequenza di taglio di passare. Regolabile tra i 50 e i 500Hz.

Spostando l'interruttore alla posizione AP si potrà regolare l'amplificatore sul modo di frequenza passa-tutto, impedendo qualsiasi regolazione della frequenza di incrocio e permettendo a tutte le frequenze di passare.

Spostando l'interruttore alla posizione LP si potrà regolare l'amplificatore sul modo di frequenza passa-basso, permettendo alle frequenze al di sotto della frequenza di taglio di passare. Regolabile tra i 50 e i 500Hz.

Ruotare la manopola di regolazione della frequenza di incrocio fino alla frequenza minima. Mentre il sistema audio è in funzione, ruotare la manopola lentamente in senso contrario, finché non si raggiunga il punto d'incrocio desiderato.

INTERRUTTORE 2/4 CANALI

Impostando questo interruttore sulla posizione 2CH (2 canali), si commutano gli ingressi alla modalità a 2 canali, permettendo il collegamento solo agli ingressi anteriori con un'uscita a 4 canali.

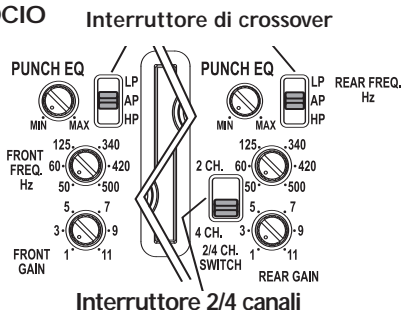
I comandi di uscita funzionano allo stesso modo di quando l'amplificatore era impostato su modalità a 4 canali.

Tutti gli ingressi "ATTIVI" devono avere jack RCA collegati.

Interruttore in posizione 2CH., "ATTIVO": solo ingressi canali anteriori.

Interruttore in posizione 4CH., "ATTIVO": tutti gli ingressi canali anteriori e posteriori.

NOTA: Quando ci si collega agli ingressi 4-canali, accertarsi di tenere assieme strettamente i cavi RCA anteriori e posteriori.




REGOLAZIONE DEL GUADAGNO

Eseguire le seguenti operazioni separatamente per ciascun canale.

Per regolare l'impostazione per il guadagno, abbassare completamente i guadagni per l'amplificatore (ruotando in senso antiorario). Alzare il volume dell'unità di fonte finché la distorsione non diventi udibile, e poi abbassarlo finché la distorsione non sia più udibile. Nella maggior parte delle unità, ciò avviene quasi al volume massimo. Quindi aumentare il guadagno dell'amplificatore fino a quando il volume è al livello desiderato.

NOTA: Il miglior rapporto segnale-rumore e la massima gamma dinamica si ottengono con il guadagno al minimo. Per la maggior parte degli utenti, il guadagno e il volume ottimali sono circa a metà dell'intervallo di valori.

 **ATTENZIONE:** Si consiglia di non selezionare un guadagno troppo alto per non avere troppo rumore e distorsione.

NOTA: Per una procedura di regolazione più dettagliata, vi preghiamo di contattare l'assistenza tecnica della Rockford Fosgate.

INDIVIDUAZIONE/RIPARAZIONE GUASTI

NOTA: Se incontrate dei problemi dopo l'installazione, seguite le procedure per la localizzazione e la riparazione dei guasti elencate di sotto.

Procedura 1: Controllate che l'amplificatore abbia i collegamenti adeguati.

Controllate che la spia dell'ACCENSIONE sia accesa. Se la spia di ACCENSIONE è accesa, passare al numero 3, altrimenti continuare

1. Controllare il fusibile in linea sul cavo positivo della batteria. Sostituire, se necessario.
2. Controllare il fusibile sull'amplificatore. Sostituire, se necessario.
3. Controllate che la messa a terra sia collegata al metallo non verniciato del telaio del veicolo. Se necessario, effettuare riparazioni o sostituzioni.
4. Controllate che ci siano dai 9 ai 16 volt di tensione al cavo positivo della batteria e al cavo di accensione del comando a distanza. Controllate che ci siano collegamenti di qualità per entrambi i cavi con l'amplificatore, l'impianto stereofonico e la batteria/portafusibili. Se necessario, effettuare riparazioni o sostituzioni.

Procedura 2: gli indicatori luminosi per la protezione o la temperatura sono accesi .

1. Se l'indicatore di protezione è acceso, ciò può indicare un corto circuito nel collegamento con gli altoparlanti. Controllare che i collegamenti agli altoparlanti siano corretti e utilizzare un misuratore di resistenza per controllare che non ci siano corti circuiti nei cavi dell'altoparlante. L'indicatore di protezione si può accendere anche in caso di impedenza dell'altoparlante troppo bassa.
2. Se la spia termica si accende, controllare che l'impedenza dei diffusori sia corretta e modificare il cablaggio se necessario. Ciò può anche indicare che si stanno fornendo all'amplificatore livelli di potenza molto alti senza adeguata ventilazione dell'unità. Spegnerne il sistema e lasciare che l'amplificatore si raffreddi. Controllare che l'impianto di carica del veicolo mantenga la tensione corretta. Se questi punti non correggono il problema, potrebbe esserci un guasto nell'amplificatore; per supporto, mettersi in contatto con l'assistenza clienti.

Procedura 3: Controllare le uscite audio dell'amplificatore.

1. Controllare che sia il sistema stereofonico che l'amplificatore siano collegati correttamente all'entrata RCA. Controllare che lungo l'intera lunghezza dei cavi non ci siano attorcigliamenti, giunture, ecc. Verificare che alle entrate RCA non si abbia corrente alternata con il sistema stereofonico acceso. Se necessario, effettuare riparazioni o sostituzioni.
2. Scollegare l'ingresso RCA dall'amplificatore. Collegare l'ingresso RCA dal sistema stereofonico di prova direttamente all'ingresso dell'amplificatore.

Procedura 4: Controllate l'amplificatore se si verificasse uno schiocco al momento dell'accensione.

1. Scollegate il segnale d'entrata verso l'amplificatore; spegnete e riaccendete l'amplificatore.
2. Se il rumore venisse eliminato, collegate il cavo a tensione REMOTE dell'amplificatore all'unità di fonte con un modulo di accensione ad azione ritardata.

OPPURE

1. Usate una fonte da 12 volt diversa per il cavo a tensione REMOTE dell'amplificatore (in altri termini, direttamente dalla batteria).
2. Se il rumore venisse eliminato, usate un relé per isolare l'amplificatore da entrate ed uscite rumorose al momento dell'accensione.

INDIVIDUAZIONE/RIPARAZIONE GUASTI

Procedura 5: Controllate l'amplificatore se si verificasse un rumore eccessivo a livello del motore.

1. Fate scorrere tutti i fili che portano segnali (RCA, cavi degli altoparlanti) lontano dalla tensione e dai fili della messa a terra.

OPPURE

2. Bypassate tutte le componenti elettriche tra il sistema stereofonico e l'amplificatore(j). Collegare il sistema stereofonico direttamente all'entrata dell'amplificatore. Se il rumore sparisce, vuol dire che l'unità bypassata è la fonte del rumore.

OPPURE

3. Rimuovete i fili della messa a terra esistenti per tutte le componenti elettriche. Ricollegateli alla terra in ubicazioni diverse. Controllate che l'ubicazione della messa a terra sia una superficie metallica pulita, senza verniciature, ruggine, ecc.

OPPURE

4. Aggiungete un cavo secondario per la messa a terra dal terminale negativo della batteria al metallo del telaio o del monoblocco del veicolo.

OPPURE

5. Fate esaminare sia l'alternatore che la carica della batteria dal vostro meccanico. Controllate che il sistema elettrico del veicolo sia funzionante, compreso il distributore, le candele, i fili delle candele, il regolatore di tensione, ecc.

SPECIFICHE

MODELLO - Punch

P400-4

P500-4

Potenza continua a regime (RMS) – Misurata a 14,4 volt da batteria

Carico da 4 Ω per canale	50 Watts x 4	60 Watts x 4
Carico da 2 Ω per canale	100 Watts x 4	125 Watts x 4
Carico da 4 Ω in parallelo	200 Watts x 2	250 Watts x 2

Dimensioni:	Altezza	5.71cm	5.71cm
	Larghezza	19.37 cm	19.37 cm
	Lunghezza	33.07 cm	33.07 cm

Portata fusibili batteria (Amp) Esterno (Non fornito)	80A	100A
--	-----	------



Rapporto segnale pesato "A" a disturbi
Riferito a 1 W in 4 ohm

85 dB

Rapporto segnale pesato "A" a disturbi
Riferito a uscita nominale in 4 ohm

105 dB

Pendenza crossover

12dB/ottava Butterworth

Frequenza crossover

variabile da 50Hz a 500Hz

Risposta di frequenza

20Hz a 20kHz \pm 1dB

Intervallo di variazione della tensione per il segnale

Variabile da 150mV a 4V (input RCA)

Protezione

NOMAD - La circuiteria di protezione in uscita a computer analogico interno limita la potenza in caso di sovraccarico o di corto circuito. L'interruttore termico spegne l'amplificatore in caso di surriscaldamento.

Equalizzazione PEQ (equalizzazione Punch)

Variabile da 0 dB a +18 dB a 45 Hz e/o
Da 0 dB a +12 dB a 12 kHz

Impedenza d'ingresso

20K ohm

Tensione operativa

Da 9 a 16 V c.c.

Ingressi equilibrati

Sì

CMRR (rapporto di reazione del modo comune)

>55dB @ 1kHz

Fattore di smorzamento

>200

THD+N (distorsione armonica totale + disturbo)

< 0,1 a 2 ohm e < 0,05 a 4 ohm

Queste specifiche sono conformi allo standard per gli amplificatori di potenza CEA-2006

Specifiche soggette a modifiche senza preavviso

La Rockford Corporation offre una garanzia limitata sui prodotti della Rockford Fosgate alle seguenti condizioni:

Lunghezza della garanzia

Unità di fonte, altoparlanti, elaboratori di segnali e amplificatori PUNCH — 1 anno

Amplificatori POWER — 2 anni

Prodotti rimessi a nuovo dalla fabbrica — 90 giorni (è necessaria la ricevuta)

Ciò che è coperto dalla garanzia

Questa garanzia è solamente applicabile ai prodotti della Rockford Fosgate venduti a clienti da parte di rivenditori autorizzati della Rockford Fosgate negli USA o nei suoi possedimenti. Prodotti acquistati da clienti presso un rivenditore autorizzato della Rockford Fosgate in paesi esteri saranno coperti solamente dal distributore di quel paese e non dalla Rockford Corporation.

Chi è coperto dalla garanzia

Questa garanzia copre solamente l'acquirente originale di un prodotto della Rockford che sia stato acquistato presso un rivenditore autorizzato della Rockford Fosgate negli USA. Per richiedere l'assistenza, l'acquirente deve fornire alla Rockford una copia della sua ricevuta, indicare il nome dell'acquirente, il nome del rivenditore, il prodotto acquistato e la data di acquisto.

I prodotti che risulteranno difettosi durante il periodo della garanzia saranno riparati oppure sostituiti (con un prodotto giudicato equivalente) alla piena discrezione della Rockford.

Ciò che non è coperto dalla garanzia

1. Danni causati da incidente, abuso, uso erraneo, acqua, furto, spedizione.
2. Qualsiasi costo o spesa relativa alla rimozione o alla reinstallazione del prodotto.
3. L'assistenza tecnica eseguita da chiunque non sia alle dipendenze della Rockford o di un centro di assistenza tecnica autorizzato della Rockford Fosgate
4. Qualsiasi prodotto su cui il numero di serie è stato deturpato, alterato o rimosso
5. Danni susseguenti ad altre componenti
6. Qualsiasi prodotto acquistato fuori dagli USA
7. Qualsiasi prodotto non acquistato presso un rivenditore autorizzato della Rockford Fosgate

Limite sulle garanzie tacite

Qualsiasi garanzia tacita, comprese le garanzie di idoneità all'uso ed alla commerciabilità, sono limitate nella loro durata al periodo coperto dalla garanzia esplicita spiegata di sopra. Alcuni stati non permettono limitazioni sulla lunghezza di una garanzia tacita. Pertanto, questa limitazione potrebbe non essere applicabile. È vietato assumere, a nome della Rockford Fosgate, qualsiasi altra responsabilità in relazione alla vendita del prodotto.

Come richiedere l'assistenza tecnica

Contattare il rivenditore autorizzato Rockford Fosgate dal quale si è acquistato il prodotto.

Per ulteriore aiuto, si può chiamare l'assistenza clienti Rockford al numero 1-800-669-9899. Dovrete ottenere un numero RA (numero di autorizzazione per la restituzione) per restituire qualsiasi prodotto alla Rockford Fosgate. Sarete responsabili della spedizione del prodotto alla Rockford.

Garanzia UE

Questo prodotto risponde ai requisiti della garanzia UE tuttora in vigore. Vi preghiamo di rivolgervi al vostro rivenditore autorizzato per ulteriori dettagli.

Italiano



Rockford Fosgate®

Installation assistance available at:

RFTECH

www.rockfordfosgate.com/rftech



Rockford Fosgate
Rockford Corporation
546 South Rockford Drive
Tempe, Arizona 85281 U.S.A.
In U.S.A., (480) 967-3565 - Customer Service 1-800-669-9899

www.rockfordfosgate.com

11/2007 B.M.
11/2009 E.R. (WebWizard)
1230-55953-01

Printed in Thailand