

ZGL120085



Constant Current Discharge Rating Amperes @ 25°C (77°F)

| F.V/Time | 5M | 10M | 15M | 30M | 1HR | 2HR | 3HR | 4HR | 5HR | 8HR | 10HR | 20HR |
|----------|-------|-------|-------|-------|-------|------|-------|-------|------|------|-------|-------|
| 10.5 | 309.7 | 235.3 | 195.9 | 131.1 | 76.20 | 42.5 | 30.84 | 25.44 | 20.7 | 14.5 | 12.24 | 6.301 |

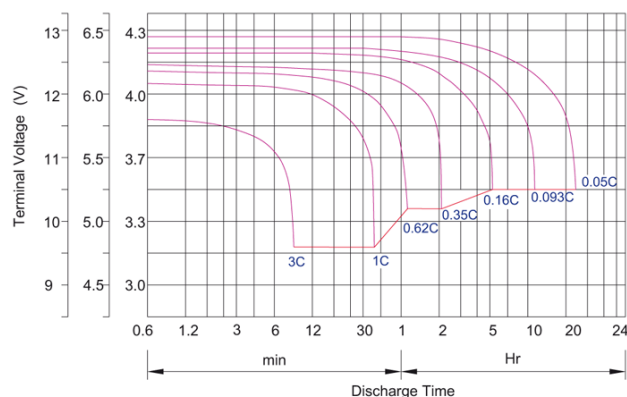
Characteristics

| | | |
|---|--|----------------------------|
| Capacity 25°C (77°F) | 20 hour rate (13A to 10.5Volts) 5 hour rate (42.8A to 10.2Volts) | 120AH 102.0AH |
| Internal Resistance | Full charged Battery 25°C (77°F) | 4mΩ |
| Capacity affected by Temperature (20 hour rate) | 40°C (104°F) 25°C (77°F) 0°C (32°F) -10°C (14°F) | 107% 100% 76% 66% |
| Self-Discharge | Batteries can be stored for more than 6 months at 25°C. Self-discharge ratio less than 3% per month at 25°C. Please charge batteries before using. | |
| Standard Terminal | M8 | |
| Max. Discharge Current 25°C (77°F) | 1200A (5s) | |
| Final Discharge Voltage V/cell | 1.75V | 1.70V |
| Discharge Current (A) | (A) ≤ 0.2C | 0.2 < (A) < 1.0C |
| Charging (Constant Voltage) | Cycle Initial Charging Current 36A Or Small 14.6V~14.8V/ 25°C (77°F) Float 13.6V~13.8V/ 25°C (77°F) | |
| Container Material | A.B.S. (UL94-HB), Flammability resistance of UL94-V1 can be available upon request. | |

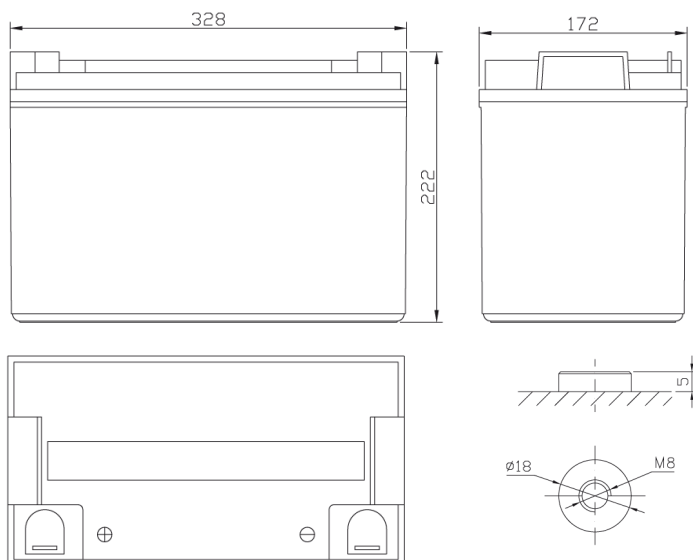
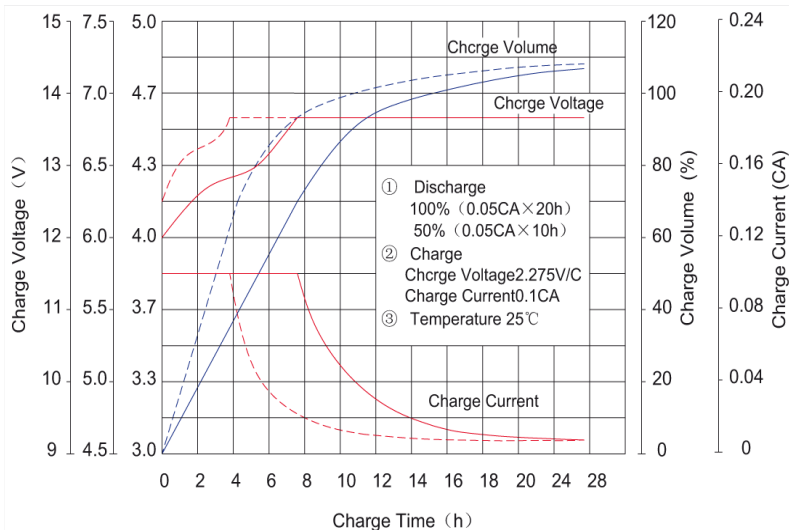
Specifications

| | | |
|-------------------------------|-------------------------------|-----------------------|
| Nominal Voltage | 12V | |
| Rated Capacity (20 hour rate) | 120Ah | |
| Dimension | Total Height (with terminals) | 222mm (8.746inches) |
| | Height | 222mm (8.746 inches) |
| | Length | 328mm (12.923 inches) |
| | Width | 172mm (6.776 inches) |
| Weight | Approx. 32.0 kg (70.4lbs) | |

Discharge characteristics 25°C (77°F)



Charge characteristic Curve for standby use



This information is generally descriptive only and is not intended to make or imply any representation, guarantee or warranty with respect to any cells and batteries. Cell and battery designs/specification are subject to modification without notice. Contact U.B.S. UNION BATTERY SERVICE for the latest information.

DIVISION OF



www.zenithdcbattery.com