

# Zenith



## DATA SHEET

# AGM BATTERY HIGH CRANKING RATE ZPC120025

### Performance features

PHCA	925A at 27°C (80°F)	5 seconds
CCA	410A at -18°C (0°F)	
HCA	530A at 27°C (80°F)	
CA / MCA	310A at 0°C (32°F)	
Self-Discharge 25°C (77°F)	Capacity after 3 month storage	91%
	Capacity after 6 month storage	82%
	Capacity after 12 month storage	64%
Standard Terminal	M8	
Reserve Capacity	55Min	
Charging Cycle (constant voltage)	Charge 14.5V~14.9V/ 25°C (77°F)	
	Float 13.6V~13.8V/ 25°C (77°F)	
Short circuit current	1300A	
Operation temperature range	-15°C (-5°F) to 50°C (122°F)	

### Specifications

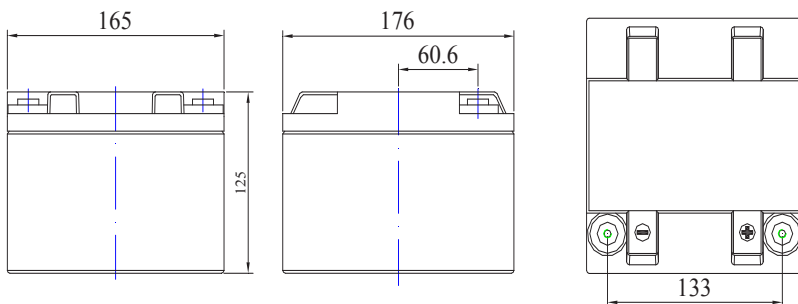
Nominal Voltage		12V
Rated Capacity (20 hour rate)		28Ah
Dimension	Total Height (with terminals)	125mm (4.92 inches)
	Height	125mm (4.92 inches)
	Length	165mm (6.5 inches)
	Width	176mm (6.93 inches)
Weight		Approx. 10.7kg (23.54lbs)

### High rate discharge at 25°C (77°F)

5 sec	10 sec	20 sec	30 sec
925A	870A	765A	675A

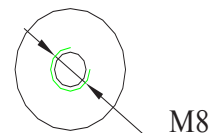
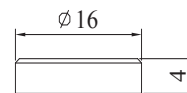
### Extended discharge at 25°C (77°F) to 10,02V

5 min.	15 min.	1h	3h	5h	10h	20h
150A	70A	16.8A	7A	4.76A	2.6A	1.4A



Terminal Type: M8:

unit:mm



This information is generally descriptive only and is not intended to make or imply any representation, guarantee or warranty with respect to any cells and batteries. Cell and battery designs/specification are subject to modification without notice. Contact U.B.S. UNION BATTERY SERVICE for the latest information.

[www.zenithdcbattery.com](http://www.zenithdcbattery.com)

DIVISION OF



[www.unionbatteryservice.it](http://www.unionbatteryservice.it)