

HPS-POWER BATTERY



HPS-180SL

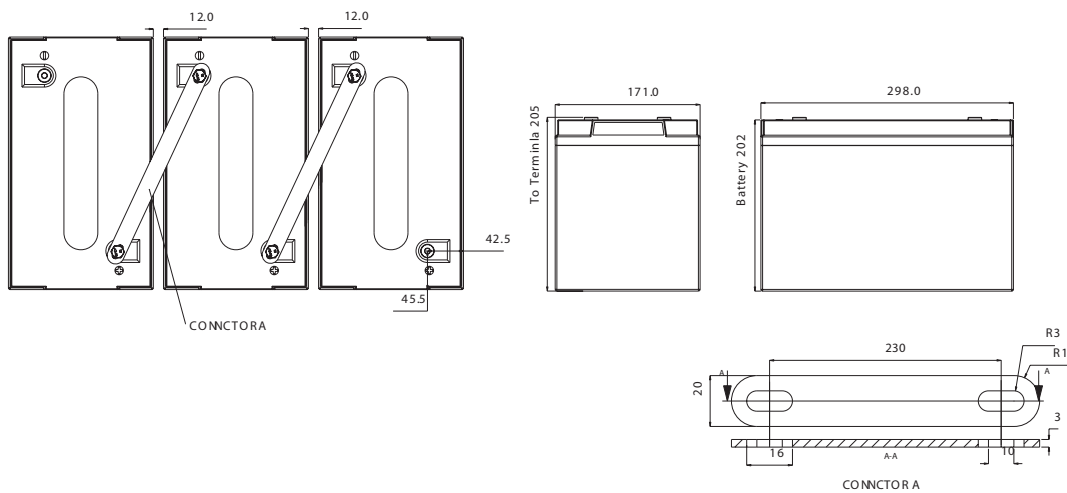
Innovative Features

- Completely maintenance free, sealed construction eliminates the need for watering
- Fully tank formed plates
- Analytical Grade electrolyte
- Spill proof / leak proof
- Valve regulated Max internal pressure 2.5 psi
- Multi-position usage
- ABS Case and cover - VO on request
- Low self discharge
- FAA and IATA approved as non-hazardous
- Built to comply with IEC 8962, DIN 43534, BS 6290 Pt4, Eurobat

Specifications

- Nominal Voltage6 Volts
- Nominal Capacity160Ah (C20 @ 20 °C)
- Design Life12 Years
- Operating Temperature...-20 °C to 50 °C
- Grid alloyCalcium /Tin lead alloy
- PlatesFlat Pasted
- SeparatorAbsorbant Glass Mat
- Active material.....Very high purity lead
- Case and cover.....ABS (VO on request)
- Charge VoltageFloat 2.25 - 2.30 VPC @25 °C
Cycling 2.35 @25 °C
Max. 2.4 VPC Max ripple 0.05C (A)
- ElectrolyteSulphuric acid Analytical grade purity
- Venting ValveEPDM Rubber 1.5 to 2 psi (10.5 - 14 KPa) release pressure.
Resealing at 1 psi (7 KPa)
- Terminal.....Insert 14mm Dia M6 thread.
Epoxy sealed by extended mechanical paths
- Torque setting.....The recommended torque value for all types is 5-7 Nm
- CablesConnectors, cables, terminal covers on request.

Terminal Dimensions



Specifications

Nominal Voltage	6V		
Nominal Capacity	160 Ah		
Dimensions	Total Height - (Inc. terminal s)	226 mm - n/a mm	8,90 inches - n/a inches
	Length - Width	298 mm - 171 mm	11,73 inches - 6,73 inches
Weight 26 Kg - 57,46 lbs			

HPS-180SL

Characteristics

Capacity 20 °C (68 °F) To 1.7 volts	20 hour rate 10 hour rate 5 hour rate 1 hour rate 15 min rate Internal Resistance Impedance	171,6 Ah 156,2 Ah 141,6 Ah 119,3 Ah 74,4 Ah 2 mOhms S
Capacity correction for Temperature Variations (C20)	40 °C (104 °F) 20 °C (68 °F) 0 °C (32 °F) -15 °C (5 °F)	102% 100% 85% 65%
Self-Discharge 20 °C (68 °F)	Capacity after 1 months storage Capacity after 3 months storage Capacity after 6 months storage	98% 94% 86%
Short Circuit Current 20 °C (68 °F)	4600	
Terminal	Standard Optional	14mm Insert M6 thread Cu/Lead Flag - J Type - Auto
Charging (Constant Voltage)	Cyclic Float	2.35 - 2.40 VPC (20-25 °C) 2.27 - 2.30 VPC (15-25 °C)

Constant Power Discharge - Watts per Cell at 20°C

EndV per Cell	5M	10M	15M	20 M	25M	30M	35M	40M	45M	60M	90M	2hr	3hr	4hr
1.85	566	493	432	383	353	320	290	267	248	207	151	119	82.0	63.7
1.80	739	597	497	434	384	348	321	295	273	219	155	122	83.5	64.4
1.75	782	644	514	457	402	362	331	304	280	224	158	122	83.9	64.3
1.70	813	661	541	471	406	354	335	308	282	226	159	124	85.4	66.8
1.65	833	668	548	475	409	366	337	310	284	227	161	124	85.9	-
1.60	867	694	562	484	417	370	342	312	286	229	162	125	86.3	-

Constant Amps discharge - Amps at 20°C

EndV per Cell	5 M	10 M	15 M	20 M	25 M	30 M	35 M	40 M	45 M	60 M	90 M	2 hr	3 hr	4 hr	5 hr	8 hr	10 hr	12 hr	20 hr
1.85	304	264	231	204	187	169	153	140	130	108	78.3	61.2	42.0	32.4	26.6	17.8	14.7	12.5	8.00
1.80	403	324	269	234	206	186	171	156	144	115	81.1	63.2	43.0	33.0	27.1	18.5	15.2	12.9	8.28
1.75	432	354	280	248	217	194	177	162	149	118	82.5	53.5	43.4	33.1	27.3	18.6	15.3	13.0	8.33
1.70	452	365	297	257	221	197	180	165	150	119	83.4	64.5	44.3	34.5	28.3	19.2	15.6	13.4	8.58
1.65	466	371	302	260	223	198	182	166	151	120	84.6	65.0	44.6	-	-	-	-	-	-
1.60	487	387	311	265	228	201	185	168	153	121	85.5	65.5	44.9	-	-	-	-	-	-

Ampere Hour at 20 °C

EndV per Cell	2hr	3hr	4hr	5hr	8hr	10hr	12hr	20hr
1.85	122	126	130	133	142	147	150	160
1.80	126	129	132	136	148	152	155	166
1.75	127	130	132	136	149	153	156	167
1.70	129	133	138	142	153	156	160	172
1.65	130	134	-	-	-	-	-	-
1.60	131	135	-	-	-	-	-	-