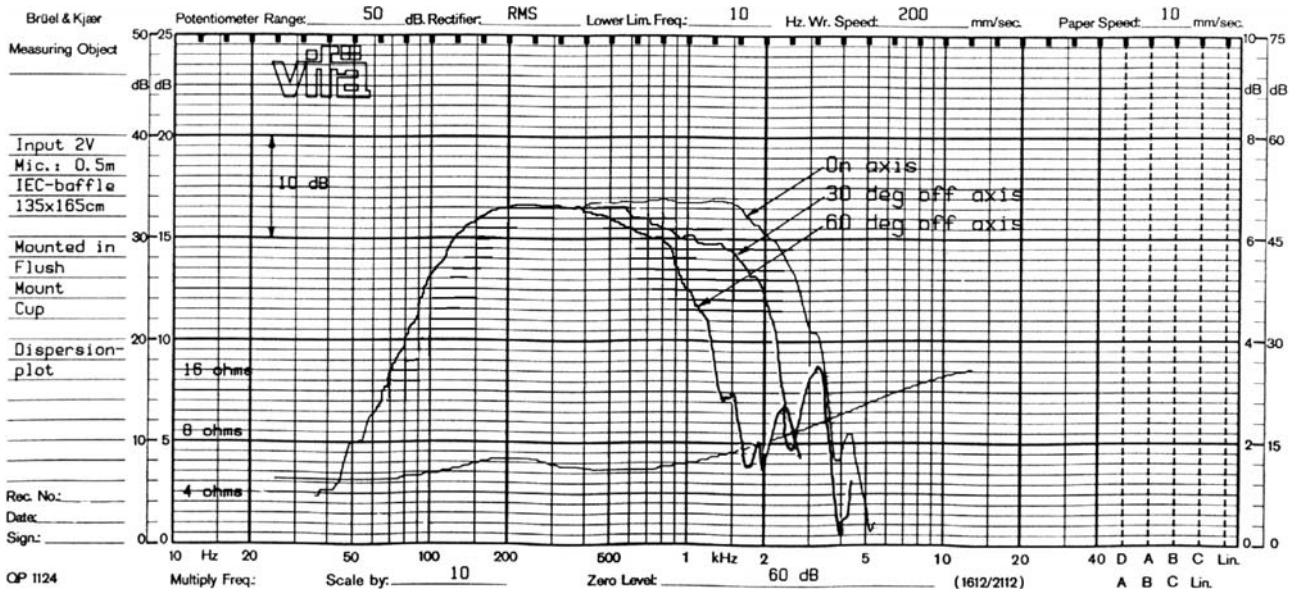
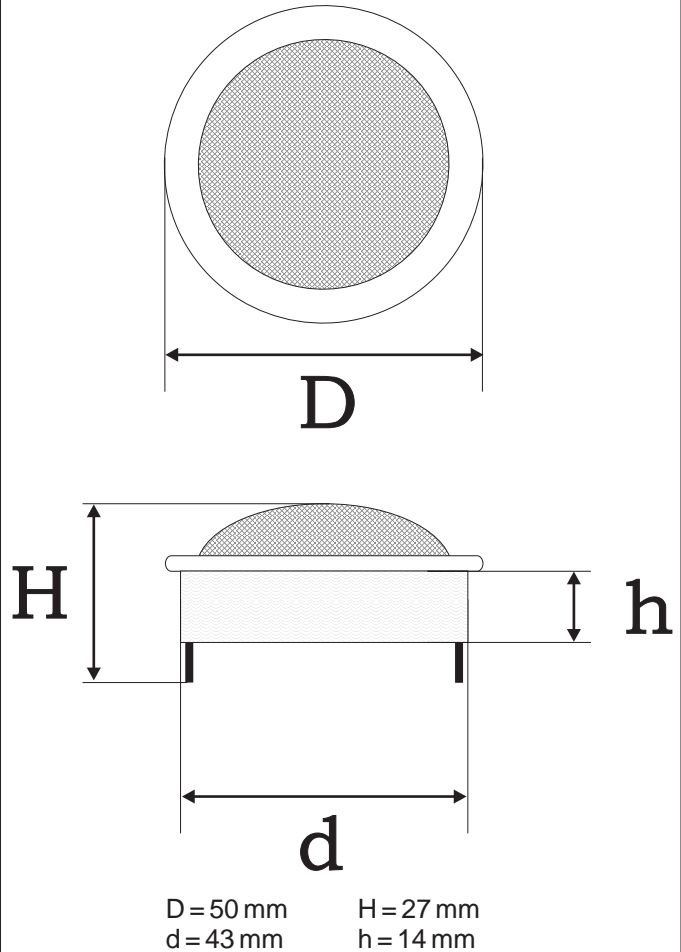


# NEODYM. TWEETER

## SQ 25 n

- \* New improved fabric diaphragm incorporating silk. The light-weight coating of the diaphragm contributes in itself to the damping effect.
- \* Bulged face plate using a highly specialized design. Together with the new diaphragm it offers a good compromise between a flat on-axis and a good off-axis response.
- \* Ferrofluid with a low viscosity and high, long-term stability which minimizes the mechanical damping in the motor.
- \* Very compact construction.
- \* Neodymium magnet.
- \* Prepared for customized front.

Frequency range	2.5 - 20 KHz
Equivalent volume, Vas	0.002 L
Compliance, Cms	0.031 mm/N
Mechanical resistance, Rms	1.1 Ns/m
Effective diaphragm/cone area, Sd	7.1 cm <sup>2</sup>
Voice coil diameter	25 mm
Voice coil height	1.6 mm
Air gap height	2 mm
Nominal impedance	6 ohm
Voice coil resistance	4.6 ohm
Voice coil inductance [10KHz]	0.0396 mH
Free air resonance, Fs	1750 Hz
Sensitivity, Spl (1W,1m)/(2.83V,1m)	88/91 dB
Force factor, Bxl	2.5 Tm
Moving mass, Md	0.27 g
Qms	2.70
Qes	2.19
Qts	1.21
Nominal power*	40 W
Short term max power*	160 W
Long term max power*	80 W
Magnet weight	11 g
Total weight of driver	70 g



# TWEETER

SQ 25 n

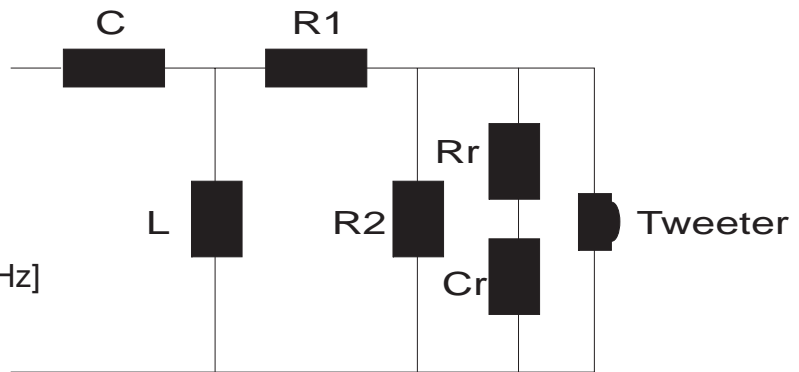
## LEGENDA

C =condensatore [uF]

L =induttore [mH]

R =resistore [ohm]

Fc=frequenza di taglio [Hz]



Crossover 12dB/oct. Butterworth

Fc=3000

C=8.2

L= 0.35

Fc=3500

C=6.8

L= 0.3

Fc=4000

C= 5.6

L= 0.25

Fc=5000

C= 4.7

L= 0.2

Fc=6000

C= 4

L= 0.18

Fc=7000

C= 3.3

L= 0.15

Fc=8000

C= 3

L= 0.13

Attenuatore

1dB

R1=0.47

R2=37.7

2dB

R1=1

R2=17.2

3dB

R1=1.33

R2=12

4dB

R1=1.72

R2=7.8

5dB

R1=2

R2=5.6

6dB

R1=2.2

R2=4.7

7dB

R1=2.5

R2=3.3

Rifasatore

Rr =4.7

Cr =2.2



E.B. ACOUSTIC & ELECTRONIC RESEARCH S.R.L.

Via S. Bartolomeo, 10 - 28047 OLEGGIO (NO) Italy Ph. 0039 0321 91430 - Fax 0039 0321 94411

[www.ebacoustic.it](http://www.ebacoustic.it)