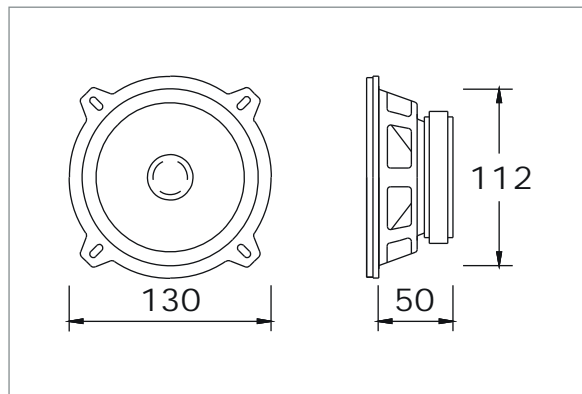


## BLW 130 - 130 mm woofer



### TECHNICAL DATA

peak power (Pk)	120 watt
nominal power (Pn)	40 watt
frequency range (BW)	70 ÷ 5000 Hz
sensitivity (2.83 V / 1 m)	90 dB
nominal impedance (Zn)	4 ohm
voice coil diameter	26 mm
cone material	polypropylene
surround material	butyl rubber
basket material	steel
magnet material	ferrite