

Zenith



ZL120120

Constant Current Discharge Rating Amperes @ 25°C (77°F)

Cut off voltage V/cell	30M	45M	1H	2H	3H	5H	8H	10H	12H	20H	24H
1.75V	19	14	11	6.1	4.5	3.2	2.2	1.8	1.53	1	0.84

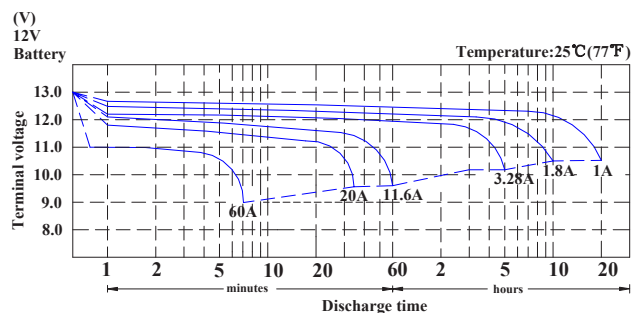
Characteristics

Capacity 25°C (77°F)	20 hour rate (1.0A to 10.5Volts) 10 hour rate (1.8A to 10.5Volts) 5 hour rate (3.28A to 10.2Volts)	22AH 19AH 16.5AH
Internal Resistance	Full charged Battery 25°C (77°F)	11mΩ
Capacity affected by Temperature (20 hour rate)	40°C (104°F) 25°C (77°F) 0°C (32°F) -15°C (5°F)	102% 100% 85% 65%
Self-Discharge 25°C (77°F)	Capacity after 3 month storage Capacity after 6 month storage Capacity after 12 month storage	91% 82% 64%
Standard Terminal	M5	
Max. Discharge Current 25°C (77°F)	300A (5s)	
Cranking Performance	Cranking Amps (30-sec amps to 7.2V @ 0°C (32°F)) Cold Cranking Amps (30-sec amps to 7.2V @ -18°C (0°F))	165A 135A
Reserve Capacity (Minutes to 10.5V at 27°C (80°F))	@ 25Amps @ 75Amps	23Min
Charging (Constant Voltage)	Cycle Initial Charging Current 4A Or Small 14.5V~14.9V/ 25°C (77°F) Float 13.6V~13.8V/ 25°C (77°F)	

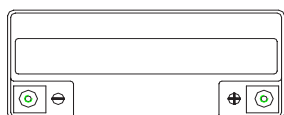
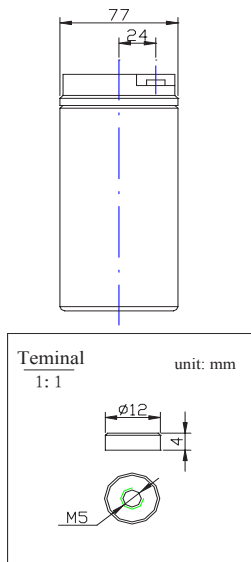
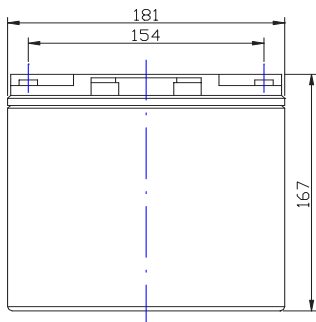
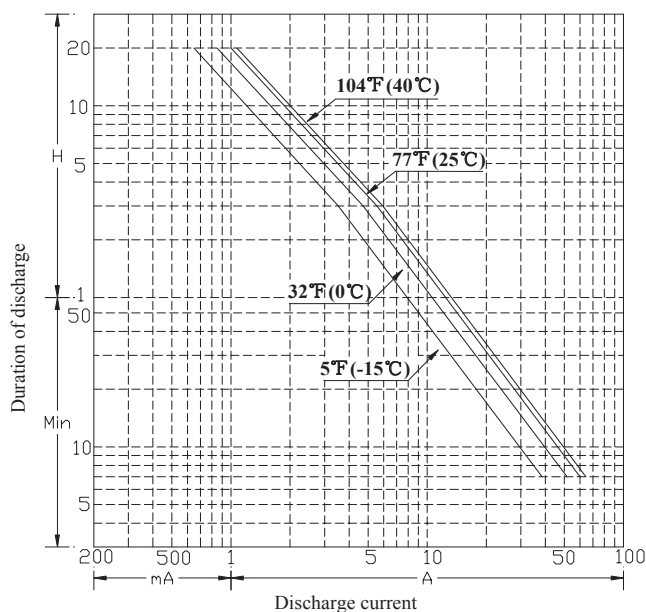
Specifications

Nominal Voltage		12V
Rated Capacity (20 hour rate)		22Ah
Dimension	Total Height (with terminals)	167mm (6.57 inches)
	Height	167mm (6.57 inches)
	Length	181mm (7.13 inches)
	Width	77mm (3.03 inches)
Weight		Approx. 6.44kg (14.20 lbs)

Discharge characteristics 25°C (77°F)



Duration of discharge vs. Discharge current



This information is generally descriptive only and is not intended to make or imply any representation, guarantee or warranty with respect to any cells and batteries. Cell and battery designs/specification are subject to modification without notice. Contact U.B.S. UNION BATTERY SERVICE for the latest information.

DIVISION OF



www.zenithdcbattery.com