

KEY FEATURES

- High sensitivity (95 dB)
- Extended frequency range (2 - 22 KHz)
- Aluminium diaphragm
- Neodymium magnet
- Aluminium front cover
- Designed for the high frequencies reproduction

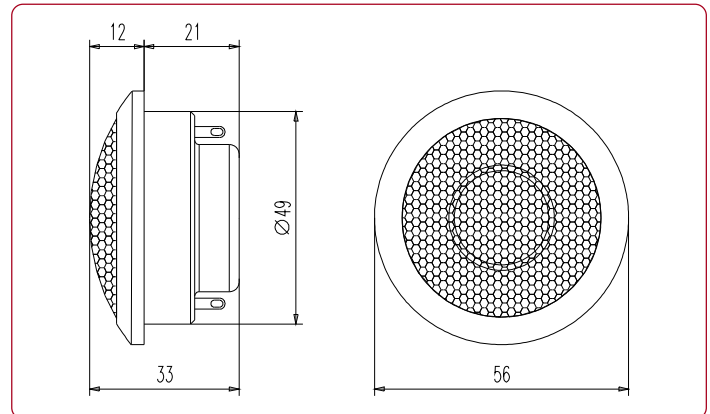
TECHNICAL SPECIFICATIONS

Nominal impedance	4 ohms
Power handling / maximum	25 W RMS / 60 W
Sensitivity	95 dB 1w @ 1m
Frequency range	2 - 22 kHz
Recommended crossover frequency	2 kHz, 12 dB/oct.
Resonant frequency, fs	1.8 kHz
Voice coil diameter	25.8 mm. 1.02 in.
Diaphragm material	Aluminium

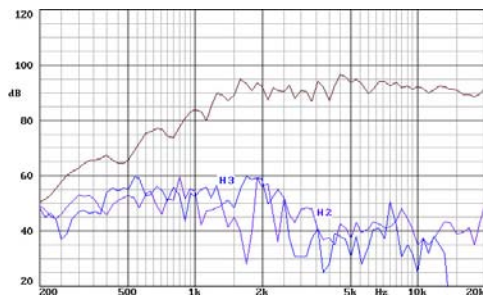
MOUNTING INFORMATION

Overall diameter	56 mm. 2.21 in.
Depth	33 mm. 1.30 in.
Baffle cutout dimensions	49 mm. 1.93 in.

DIMENSION DRAWINGS

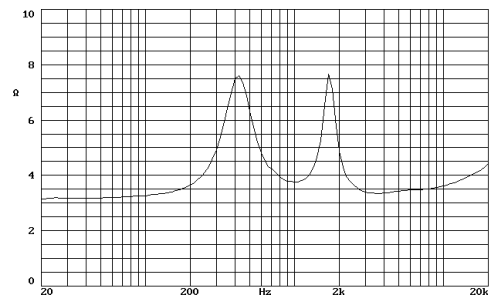


FREQUENCY RESPONSE



Nota: on axis frequency response measured on anechoic chamber, applying 1w@1m.

IMPEDANCE CURVE



E.B. ACOUSTIC & ELECTRONIC RESEARCH S.R.L.

Via S. Bartolomeo, 10 - 28047 OLEGGIO (NO) Italy Ph. 0039 0321 91430 - Fax 0039 0321 94411

www.ebacoustic.it