

### KEY FEATURES

- High power handling (100 W RMS)
- Excellent sensitivity (100 dB)
- Designed for medium frequencies reproduction

### TECHNICAL SPECIFICATIONS

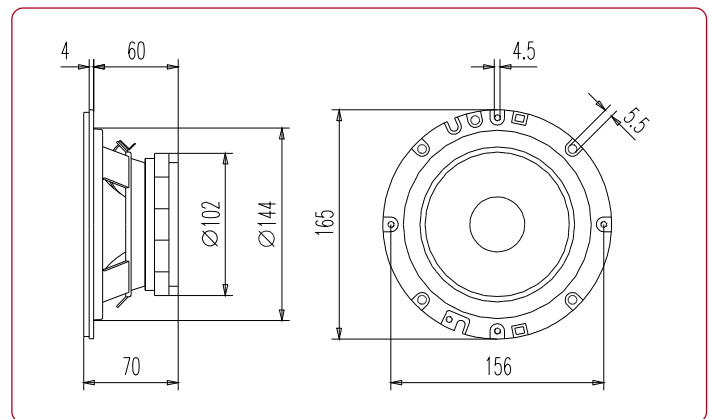
Nominal diameter	165 mm. 6.5 in.
Nominal impedance	4 ohms
Power handling / maximum	100 W RMS / 200 W
Sensitivity	100 dB 1w @ 1m
Frequency range	150 - 8000 Hz
Voice coil diameter	38.5 mm. 1.5 in.
Bl factor	8.2 N/A
Moving mass	0.007 Kg.

### THIELE-SMALL PARAMETERS

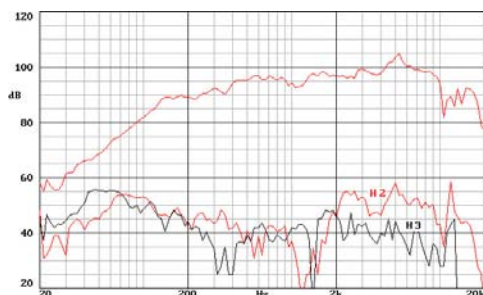
Resonant frequency, $f_s$	215 Hz
D.C. voice coil resistance, $R_e$	3.5 ohms.
Mechanical quality factor, $Q_{ms}$	8
Electrical quality factor, $Q_{es}$	0.51
Total quality factor, $Q_{ts}$	0.48
Equivalent air volume to $C_{ms}$ , $V_{as}$	2.1 l
Efficiency, $\eta_0$ (%)	4
Effective surface area, $S_d$	140 cm <sup>2</sup>
Voice coil inductance, $L_e$ @ 1kHz	0.4 mH



### DIMENSION DRAWINGS

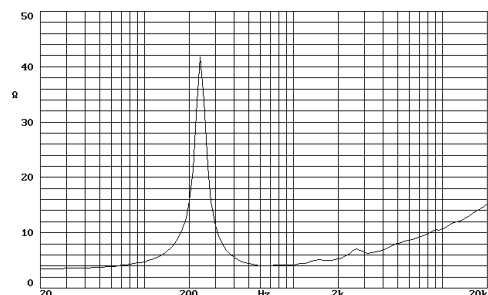


### FREQUENCY RESPONSE



Note: on axis frequency response measured with loudspeaker standing on infinite baffle in anechoic chamber, 1w @ 1m.

### FREE AIR IMPEDANCE CURVE



E.B. ACOUSTIC & ELECTRONIC RESEARCH S.R.L.

Via S. Bartolomeo, 10 - 28047 OLEGGIO (NO) Italy Ph. 0039 0321 91430 - Fax 0039 0321 94411

[www.ebacoustic.it](http://www.ebacoustic.it)