

### KEY FEATURES

- Excellent power handling (300 W RMS)
- High sensitivity (93 dB)
- Designed for subwoofer applications

### TECHNICAL SPECIFICATIONS

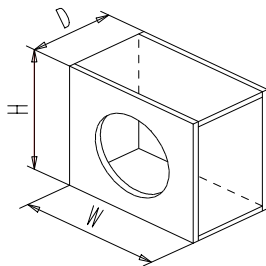
Nominal diameter	250 mm. 10 in.
Nominal impedance	4 ohms
Power handling / Max. power	300 W RMS / 900 W
Sensitivity	93 dB 1w @ 1m
Frequency range	45 - 2000 Hz
Voice coil diameter	77 mm. 3 in.
Bl factor	13.8 N/A
Moving mass	0.062 Kg.

### THIELE-SMALL PARAMETERS

Resonance frequency, $f_s$	42 Hz
D.C. resistance, $R_e$	3 ohms.
Mechanical quality factor, $Q_{ms}$	6.01
Electrical quality factor, $Q_{es}$	0.25
Total quality factor, $Q_{ts}$	0.24
Equivalent air volume to $C_{ms}$ , $V_{as}$	45 l
Efficiency, $\eta_0$ (%)	1.3
Effective surface area, $S_d$	380 cm <sup>2</sup>
Maximum displacement, $X_{max}$	6 mm.
Displacement volume, $V_d$	260 cm <sup>3</sup>
Voice coil inductance, $L_e$ @ 1 kHz	1.2 mH

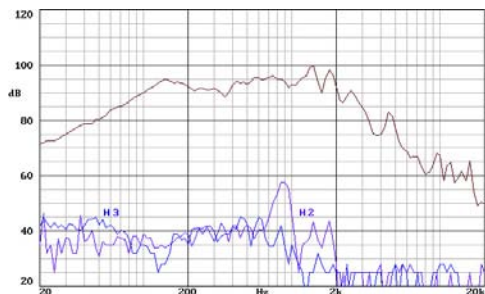
### CLOSED BOX

Vol = 20 liters 0.71 ft<sup>3</sup>  
 H = 340 mm. 13.39 in.  
 W = 420 mm. 16.54 in.  
 D = 210 mm. 8.27 in.  
 Wall thickness = 19 mm. 0.75 in.

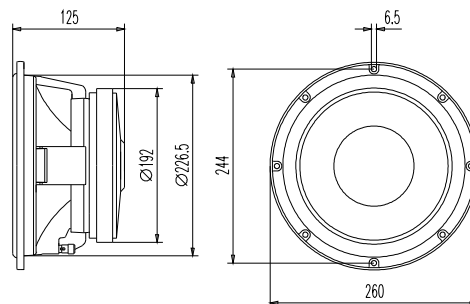


Note: the dimensions are external

### FREQUENCY RESPONSE

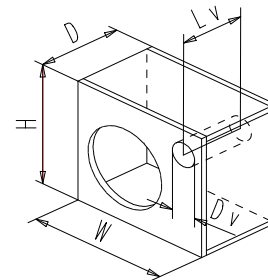


### DIMENSION DRAWINGS



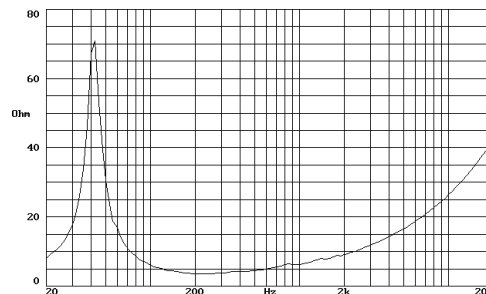
### VENTED BOX

Vol = 25 liters 0.88 ft<sup>3</sup>  
 H = 360 mm. 14.17 in.  
 W = 460 mm. 18.11 in.  
 D = 220 mm. 8.66 in.  
 Wall thick. = 19 mm. 0.75 in.  
 No. of vents = 1  
 Dv = 75 mm. 2.95 in.  
 Lv = 101 mm. 3.98 in.



Note: the dimensions are external

### FREE AIR IMPEDANCE



E.B. ACOUSTIC & ELECTRONIC RESEARCH S.R.L.

Via S. Bartolomeo, 10 - 28047 OLEGGIO (NO) Italy Ph. 0039 0321 91430 - Fax 0039 0321 94411

[www.ebacoustic.it](http://www.ebacoustic.it)