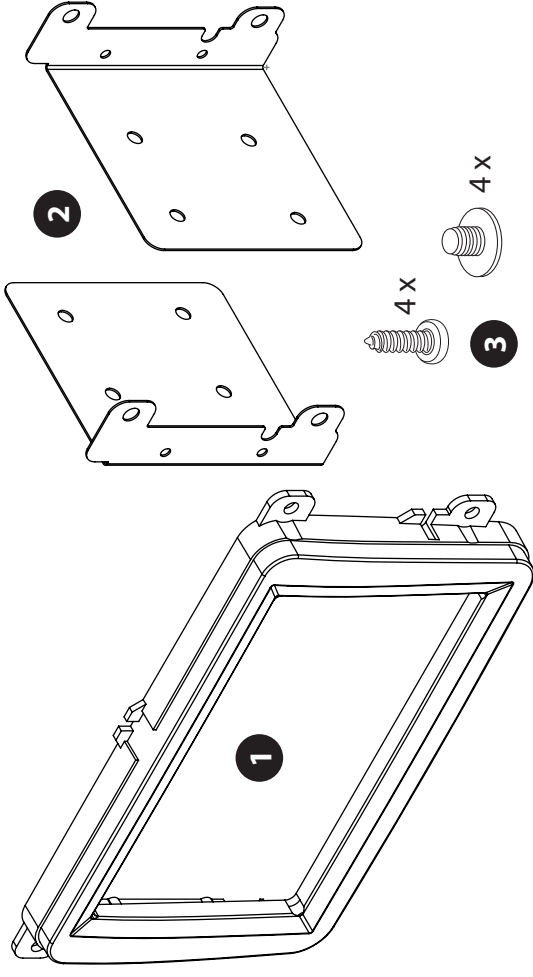


- VW Caddy (Type 2K)
- VW Golf V
- VW Golf VI
- VW Passat (Type 3C)

- VW Passat CC
- VW Scirocco III
- VW Touran

Compatible with these Pioneer double DIN devices

Pioneer Navigation



Double DIN Kit contents:

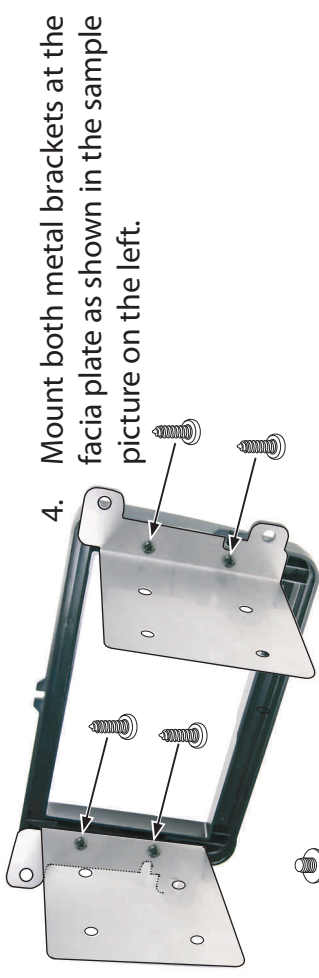
- (1) Facia Plate
- (2) Metal Brackets
- (3) Fixing Screws

Installation Manual Double DIN Kit 291320-10-PIO-K

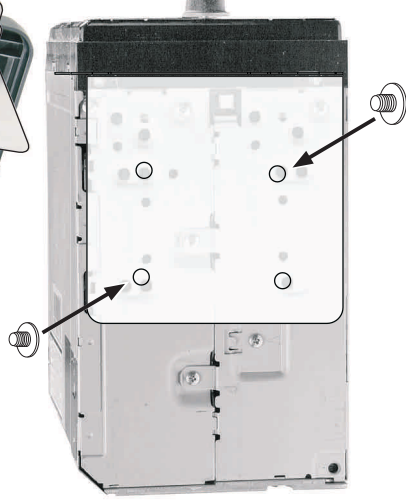


VW Golf V only:

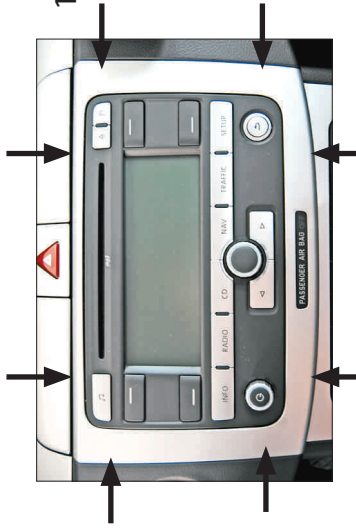
Pull up the aircone unit (fixed by clips).
Remove two Torx (TX20) screws
(see arrows) which become visible.



4. Mount both metal brackets at the
facia plate as shown in the sample
picture on the left.



5. Push the Pioneer Double DIN
head unit into the facia plate and
fix the sides of the head unit with
2 screws on each side.



1. Remove the original trim
frame, surrounding the radio
(fixed by clips).



2. Remove the 4 Torx (TX20) screws
(These screws will be used again
later).

Remove the OEM head unit.

6. Connect all wires and fix the Pio-
neer Double DIN head unit with
the original Torx (TX20) screws.

7. Reinstall everything in reverse
order to finish installation.

