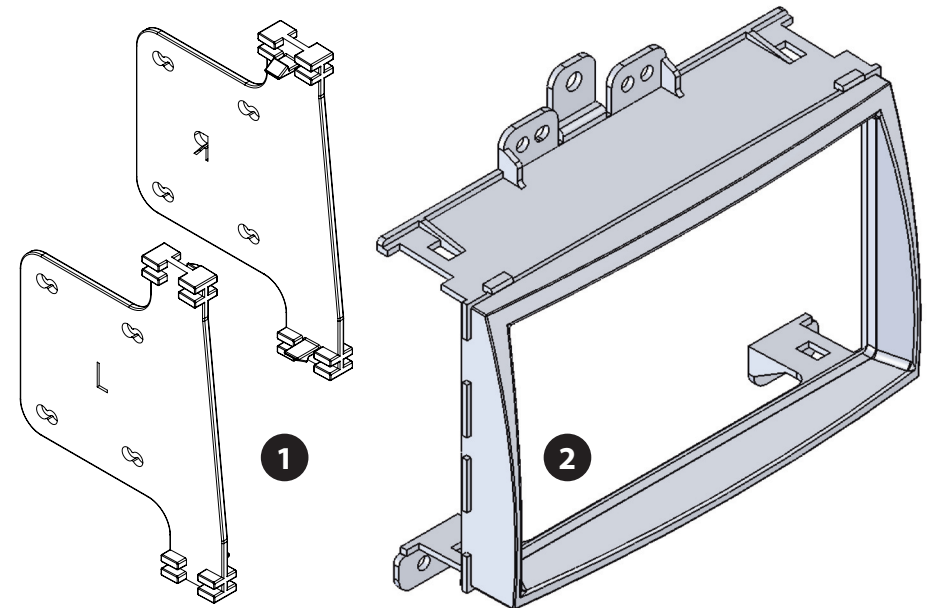


• Hyundai i20

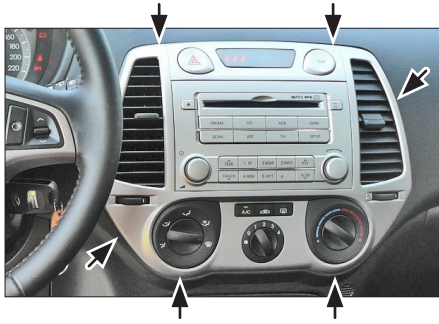
Compatible with these Pioneer double DIN devices

Pioneer Navigation



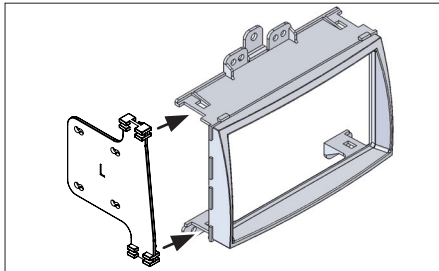
Double DIN Kit contents

- (1) Side Panels (left / right)
- (2) Facia Plate



1. Unclip the Hyundai i20 OEM panel and remove it.

Remove the OEM-Radio.



2. Mount the the side panels to the facia plate:

The panel marked with a „L“ is for the left side, the panel marked with a „R“ is for the right side.

3. Fix the Double DIN Navigation with the Mounting Frame. Connect all required circuit points and place the Double DIN Navigation with the mounting frame on the dashboard.

4. Place the Hyundai OEM panel on the dash board
