

KIT ASSEMBLY INSTRUCTIONS

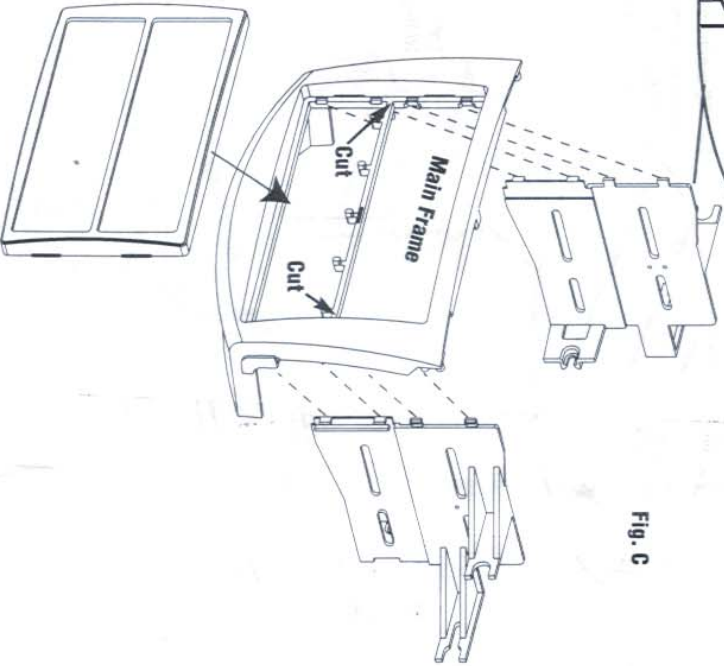
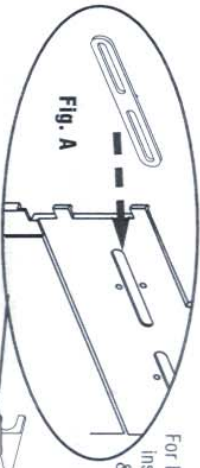
Double DIN & Double ISO Mount Applications

1. Attach the left and right side brackets to the main frame. See figure C below.
2. For double DIN radio applications ONLY cut and remove center rib from and file edges smooth.
3. Follow steps 4-6 from single ISO instructions on page 3. (See note #2 below)
4. Attach a rear support bracket to the rear of the radio components and adjust as needed to allow rear support bracket to rest in the sub-dash.

NOTE: #1 - ISO trim ring must be used in place of after-market radio's trim rings. For ISO mount applications, mount after-market radio components to side brackets using screws provided with kit when possible or hardware included with kit.

#2 - Spacers must read upright (This side up for DBL ISO install).

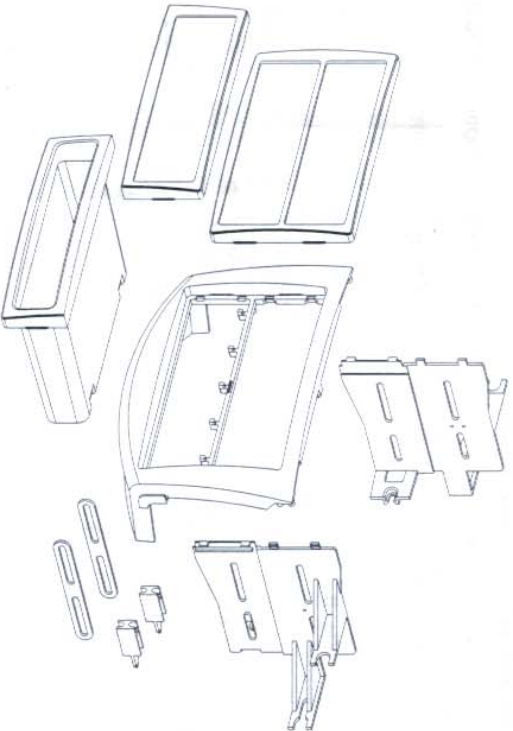
For ISO mount only: Attach (1) ISO Spacer to the inside of upper sections (See note #2) on both Left & Right mounting brackets as shown in Fig. A.



12.301300-04

Pioneer sound.vision.soul

Pioneer
sound.vision.soul



VEHICLE APPLICATIONS

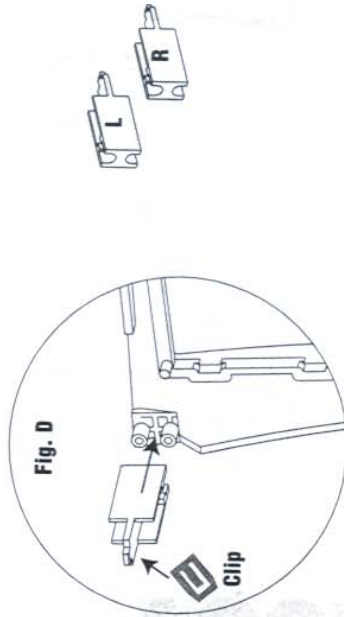
Toyota
2006 RAV 4

DASH DISASSEMBLY AND RADIO REMOVAL INSTRUCTIONS

- Starting from the bottom edges, carefully pry outward the trim panels from the left and right sides of the radio and climate controls, disconnect the attached harnesses and remove trim panels.
- Remove the (4) 10mm bolts securing the radio to the sub-dash.
- Pull radio forward, disconnect all harnesses and antenna lead from radio and remove radio.

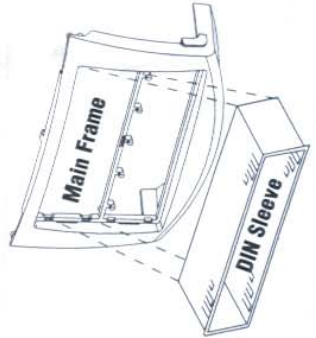
KIT ASSEMBLY INSTRUCTIONS

- Using the (4) small phillips screws attach the kits upper sub-dash support arms to the Left and Right location as shown in Fig. D.
- Slide on and attach one of the metal clips to each sub-dash support arm.



Single DIN Mount Applications

- Attach the left and right side brackets to the main bracket. See Figure B opposite page.
- Insert pocket (part #) into lower section of the main frame.
- Attach left and right side brackets to the rear of the pocket using screws supplied.
- Insert DIN sleeve from your new radio into the upper section of the installation kit.
- Depress the tabs from inside the sleeves opening upward, outward, and downward to secure sleeve to the installation kit.
- Install radio into sleeve and lock into place.
- Attach a rear support bracket to the rear of the new radio and adjust as necessary to attach to the rear support stud located on the back of the pocket using the small phillips screw supplied with kit.



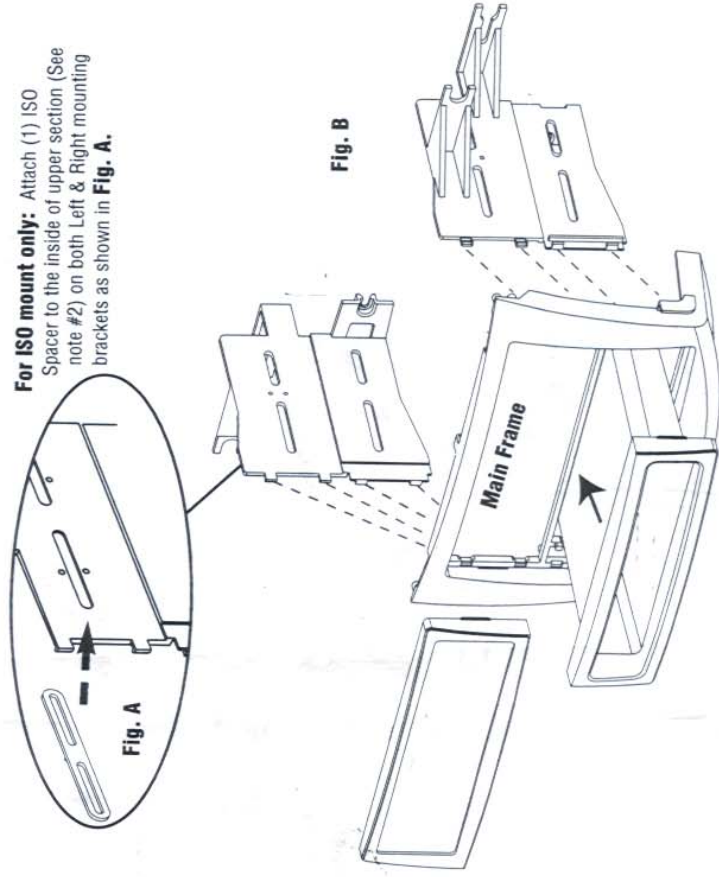
NOTE: ISO trim ring may be used in place of after-market radio's removable trim ring.

KIT ASSEMBLY INSTRUCTIONS

Single ISO Mount Applications

- Attach the left and right side brackets to the main bracket. See Figure B.
- Insert pocket into lower section of the main frame.
- Attach left and right side brackets to the rear of the pocket using screws supplied.
- Attach (1) ISO Spacer to the inside of upper section on both Left & Right mounting brackets as shown in Fig. A. (See note #2 below)
- Insert ISO mountable radio between ISO mount brackets and loosely attach to sides of radio using screws provided with radio when possible or hardware included with kit.
- Slide radio component forward or backward for desired look and tighten screws.
- Attach a rear support bracket to the rear of the new radio and adjust as necessary to attach to the rear support stud located on the back of the pocket using the small phillips screw supplied with kit.

NOTE: #1 - ISO trim ring may be used in place of after-market radio's removable trim ring.
#2 - Spacers must read upright (This side up for single ISO install).



For ISO mount only: Attach (1) ISO Spacer to the inside of upper section (See note #2) on both Left & Right mounting brackets as shown in Fig. A.