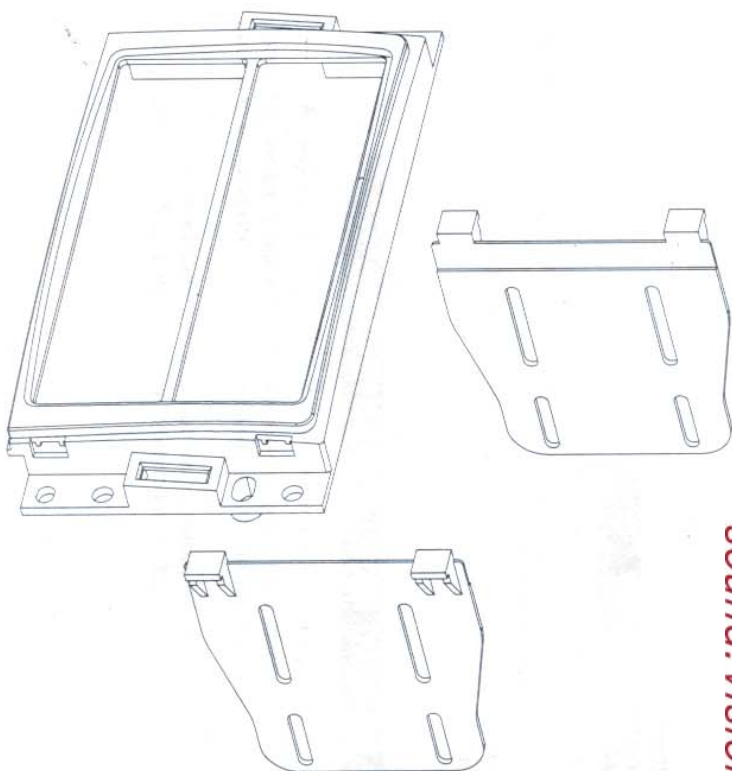


# 12.301138-00

*Pioneer* sound.vision.soul

**Pioneer**  
sound.vision.soul



## VEHICLE APPLICATIONS

---

<b>Buick</b>	2005-06	TERRAZA
<b>Chevy</b>	2005-06	CORVETTE
	2005-06	UPLANDER
<b>Hummer</b>	2005-06	H3
<b>Pontiac</b>	2005-06	MONTANA SV6
<b>Saturn</b>	2005-06	RELAY

### DASH DISASSEMBLY INSTRUCTIONS

1. Carefully unclip the trim from around the radio/Climate controls and remove. (Use of a panel removal tool, or a right angle scribe tool is recommended).
2. Remove the (8) 9/32 or Phillips screws securing the Radio and Climate controls to the sub-dash.
3. Pull the Radio and Climate controls forward, lower and set the climate control out of the way, disconnect the wire harnesses and antenna lead from the rear of the factory radio and remove radio.

### 2005-06 HUMMER H3

### DASH DISASSEMBLY

1. Carefully remove trim from around radio.
2. Remove (4) 9/32 screws securing factory radio and climate controls to the sub-dash
3. Lay climate controls out of the way.
4. Pull radio and climate controls forward, disconnect all harnesses from radio and remove radio.

### DOUBLE ISO MOUNT INSTALLATION INSTRUCTION

1. Attach left and right mounting brackets to rear of kit as shown in Figure A.
2. Insert ISO mountable radio components between ISO mount brackets and loosely attach to sides of radio using screws provided with radio when possible or screws supplied with kit.
3. Slide radio forward or backward for desired look and tighten screws.
4. Support the rear of the radio component(s) with back strap (not included).

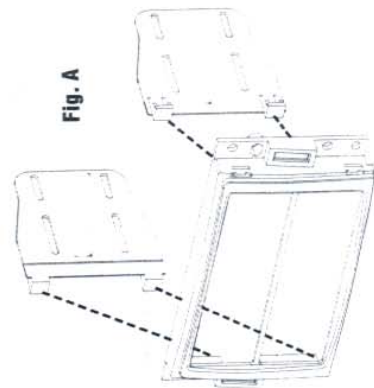


Fig. A

### DOUBLE DIN MOUNT INSTALLATION INSTRUCTIONS

1. Remove center rib shown in Fig. B for double DIN radios only.
2. Attach left and right mounting brackets to the kit as shown in Figure C.
3. Insert ISO mountable radio between ISO mount brackets and loosely attach to sides of radio using screws provided with radio when possible or screws supplied with kit.
4. Slide radio forward or backward for desired look and tighten screws.
5. Support the rear of the radio component(s) with back strap (not included).

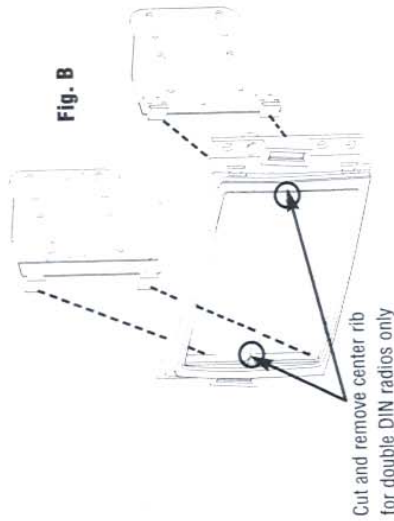


Fig. B

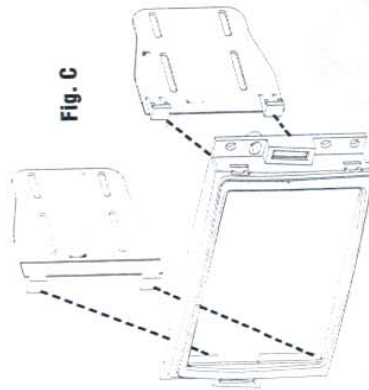


Fig. C