

APPLICATIONS
Honda CR-V 2007

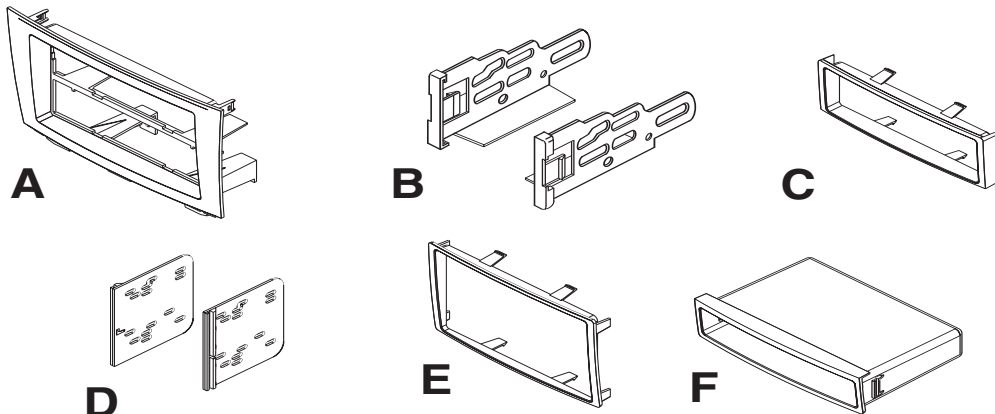


KIT FEATURES

- DIN Mount Radio Provision with Pocket
- ISO Mount Radio Provision with Pocket
- Double DIN Mount Radio Provision
- Stacked ISO Mount Units Provision

KIT COMPONENTS

- A) Radio Housing
- B) ISO Brackets
- C) ISO Trim Plate
- D) Double DIN Brackets
- E) Double DIN Trim Plate
- F) Pocket



TOOLS REQUIRED:

- Small Flat Blade Screwdriver/ Panel Removal Tool
- Phillips Screwdriver

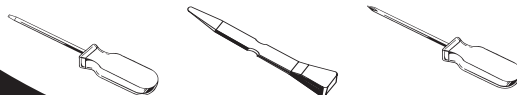


TABLE OF CONTENTS

Dash Disassembly

- Honda CR-V 2007 1

Kit Assembly

- DIN Mount Radio Provision with Pocket 2
- ISO Mount Radio Provision with Pocket 3
- Double DIN Radio Provision 4
- Stacked ISO Units Provision 5

Final Assembly 6

***Note:**

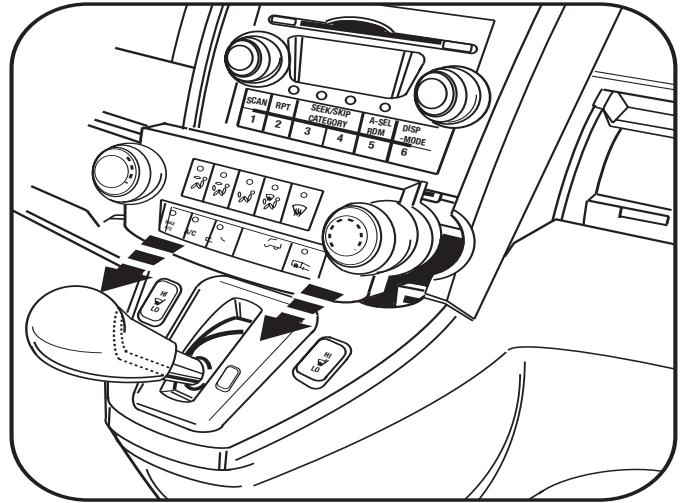
Refer also to the instructions included with the aftermarket radio.

HONDA CR-V 2007

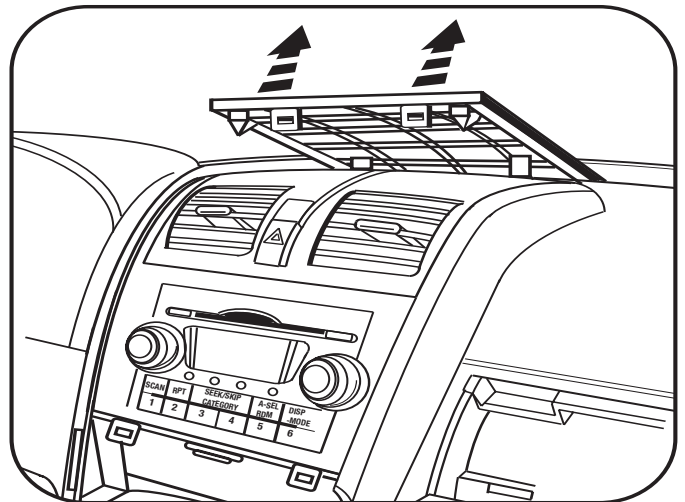
- 1** Disconnect the negative battery terminal to prevent an accidental short circuit.
- 2** Unclip a/c control. Unplug and remove a/c control. (Figure A)
- 3** Unclip and remove panel above a/c vents. (Figure B)
- 4** Unclip the a/c vent panel including the hazard switch. Unplug and remove the panel. (Figure C)
- 5** Remove (4) Phillips screws securing the radio. Unplug and remove radio. (Figure D)

Continue to kit assembly.

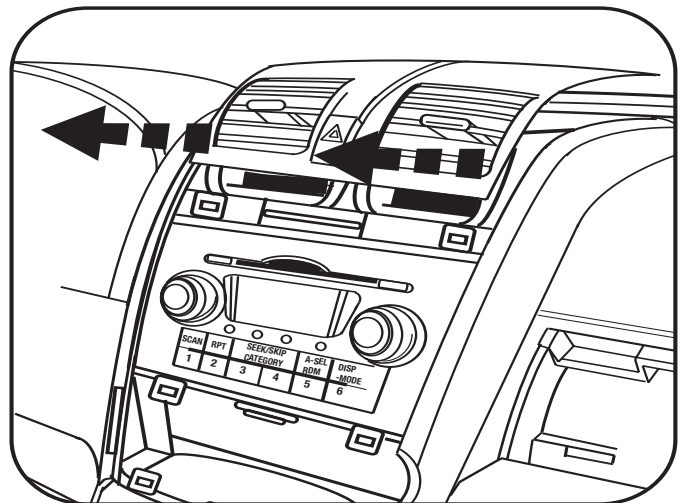
A



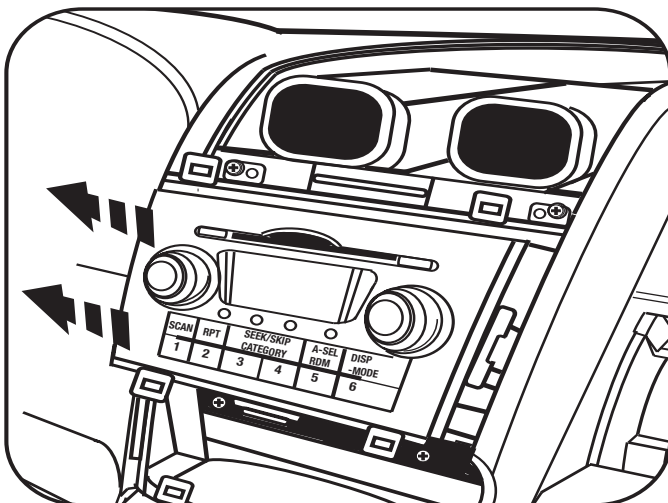
B



C



D

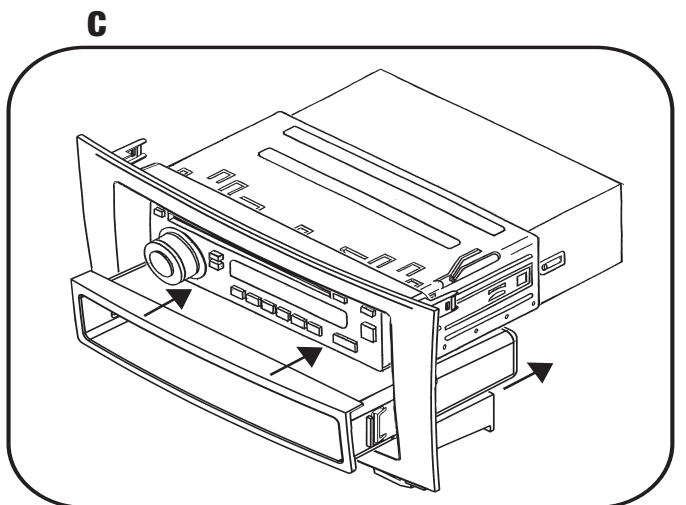
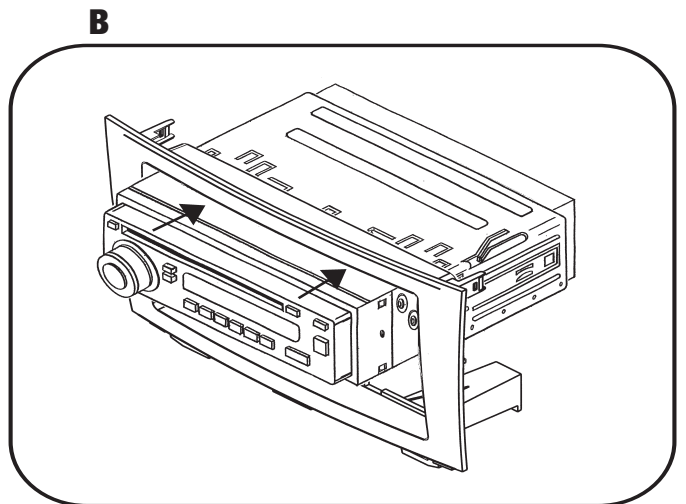
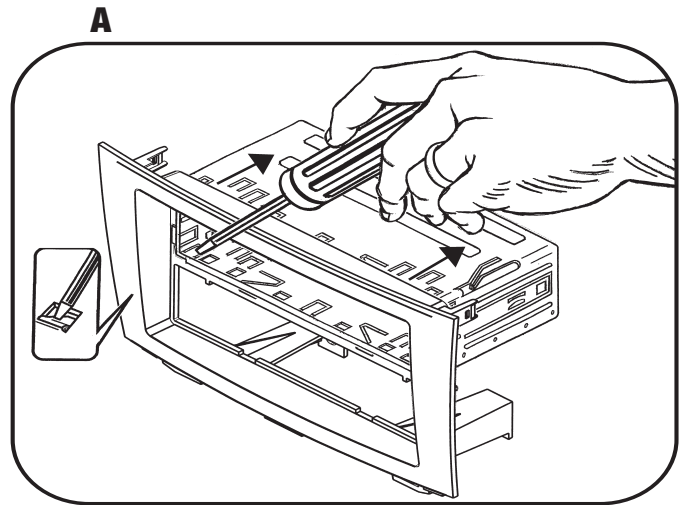


DIN MOUNT RADIO PROVISION WITH POCKET

**Note: Refer also to the instructions included with the aftermarket radio.*

- 1 Slide the DIN cage into the Radio Housing and secure by bending the metal locking tabs outward. (Figure A)
- 2 Slide the aftermarket radio into the DIN cage until it snaps into place. (Figure B)
- 3 Snap the pocket into the radio housing. (Figure C)

Continue to final assembly.



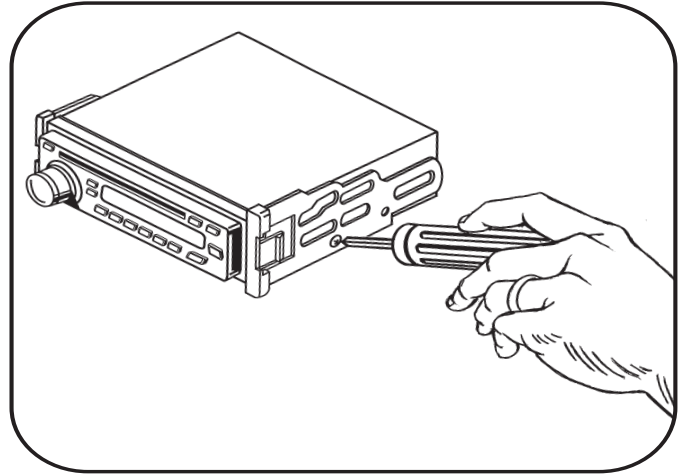
ISO MOUNT RADIO PROVISION WITH POCKET

**Note: Refer also to the instructions included with the aftermarket radio.*

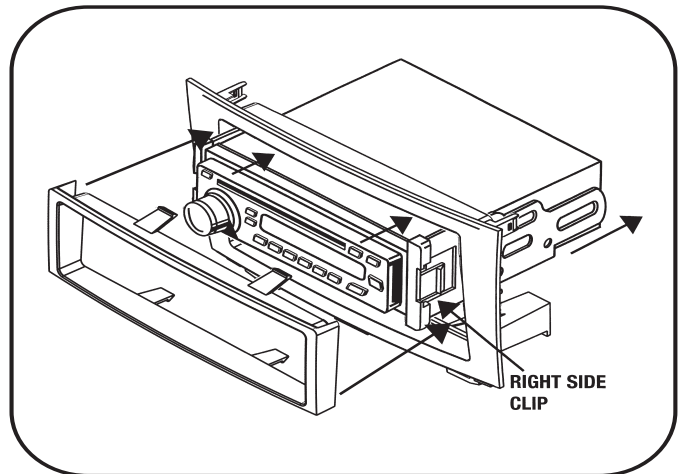
- 1** Mount the ISO Brackets to the radio using the screws supplied with the radio. (Figure A)
- 2** Slide the radio into the Radio Housing until it snaps into place. (Figure B)
- 3** Snap the Trim Plate onto the front of the Radio Housing. (Figure B)
- 4** Snap the Pocket into the Radio Housing. (Figure C)

Continue to final assembly.

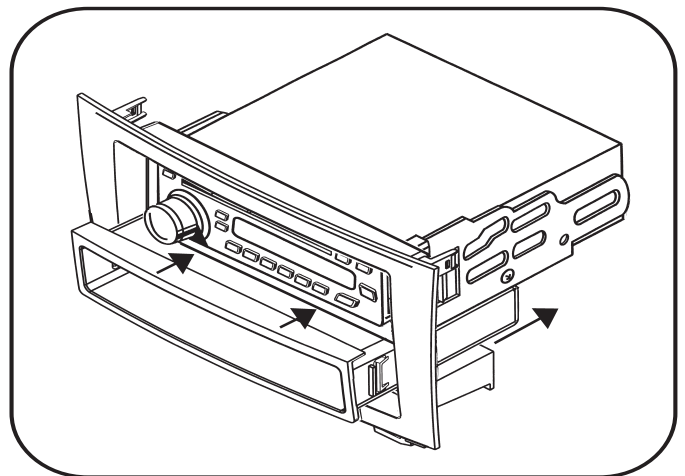
A



B



C



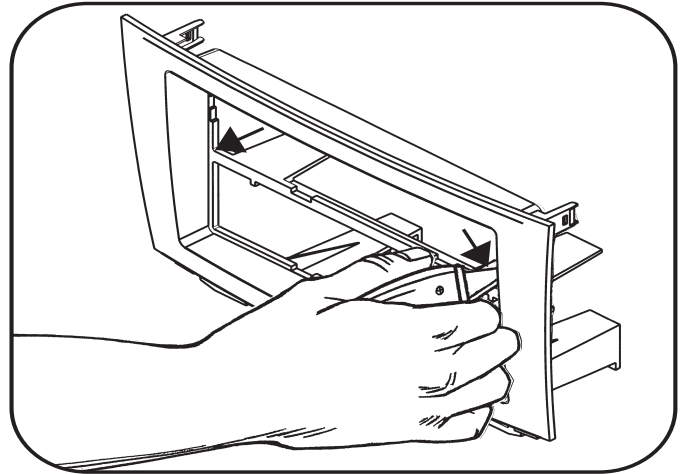
DOUBLE DIN MOUNT RADIO PROVISION

**Note: Refer also to the instructions included with the aftermarket radio.*

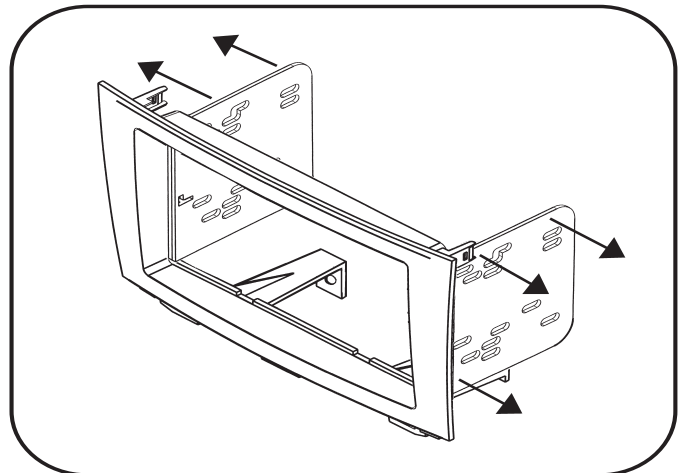
- 1** Cut and remove the center bar from the Radio Housing. (Figure A)
- 2** Snap the Double DIN brackets to the inside edge of the Radio Housing. (Figure B)
- 3** Slide the Double DIN radio into the DDIN bracket/Radio Housing assembly and secure the radio to the assembly using the screws supplied with the radio. (Figure C)
- 4** Snap the Double DIN trim plate onto the front of the Housing/Radio assembly. (Figure C)

Continue to final assembly.

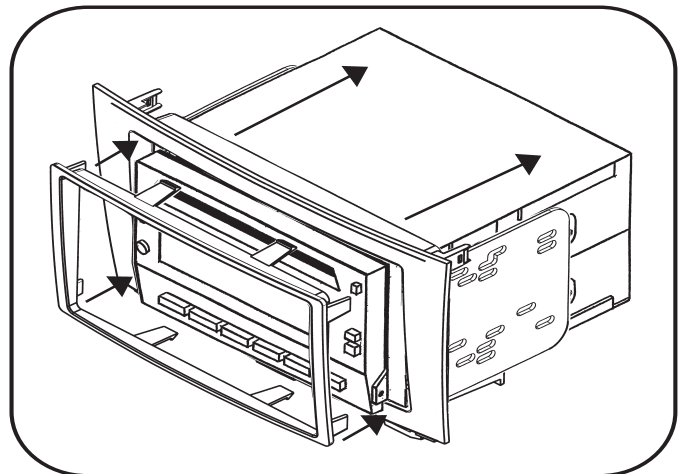
A



B



C



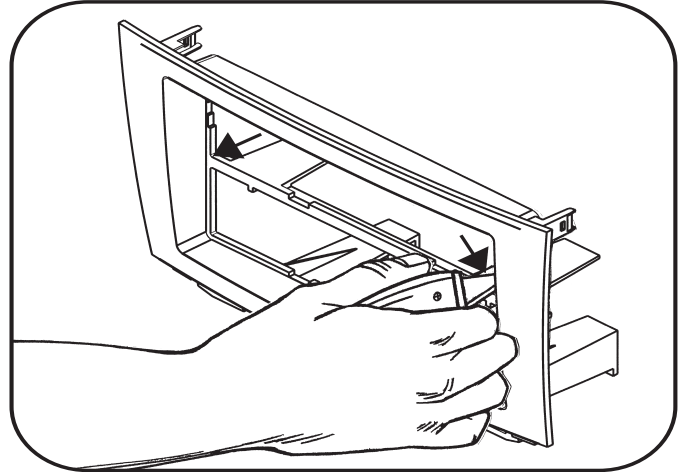
STACKED ISO UNITS PROVISION

**Note: Refer also to the instructions included with the aftermarket radio.*

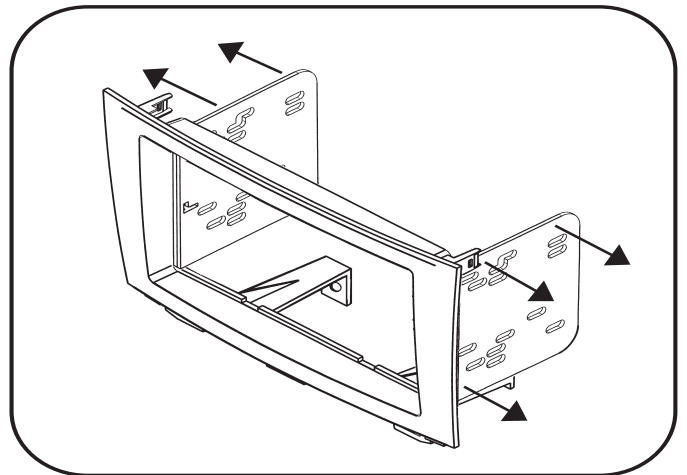
- 1** Cut and remove the center bar from the Radio Housing. (Figure A)
- 2** Snap the Double DIN brackets to the inside edge of the Radio Housing. (Figure B)
- 3** Slide the stacked ISO mount units into the Double DIN Bracket/Radio Housing assembly and secure the units to the assembly using the screws supplied with the units. (Figure C)
- 4** Snap the Double DIN trim-plate onto the front of the Housing/Radio assembly. (Figure C)

Continue to final assembly.

A



B



C

