

Pioneer sound.vision.soul

Pioneer
sound.vision.soul

APPLICATIONS

Dodge Charger 2005-2006
Dodge Durango 2004-2006
Dodge Magnum 2005-2006
Dodge Ram 2006

Chrysler 300 2005-2006
Chrysler Aspen 2007
Jeep Grand Cherokee 2005-2006
Jeep Commander 2006

For Vehicles With Factory Navigation Radios

2- Din 12.301035-01

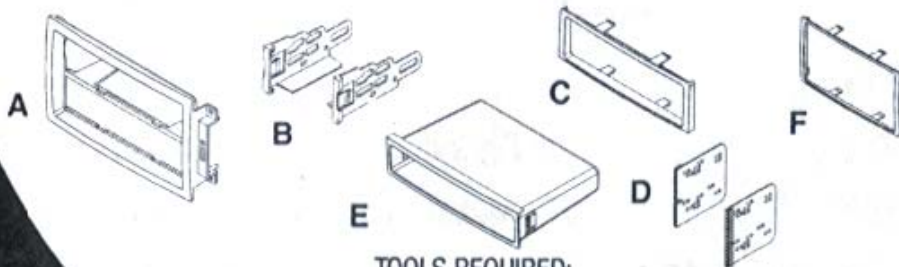
KIT FEATURES

- DIN Radio Provision with Pocket
- ISO DIN Radio Provision with Pocket
- Double DIN Radio Provision
- Stacked ISO Units Provision



KIT COMPONENTS

A) Radio Housing • B) ISO Brackets • C) ISO Trim Plate • D) Double DIN Brackets • E) Pocket • F) Double DIN Trim Plate



TOOLS REQUIRED:

Phillips Screwdriver • Socket Wrench • Small Flat Blade Screwdriver or Cutting Tool
Panel Removal Tool



TABLE OF CONTENTS

Dash Disassembly

- Chrysler Aspen 2007	1
- Dodge Durango 2004-2006	1
- Dodge Charger 2005-2006	2
- Dodge Magnum 2005-2006	2
- Chrysler 300 2005-2006	3
- Dodge Ram 2006 (Without Center Console)	4
- Dodge Ram 2006 (With Mini Center Console)	5
- Dodge Ram 2006 (With Full Center Console)	6
- Jeep Grand Cherokee 2005-2006	7
- Jeep Commander 2006	8

Kit Assembly

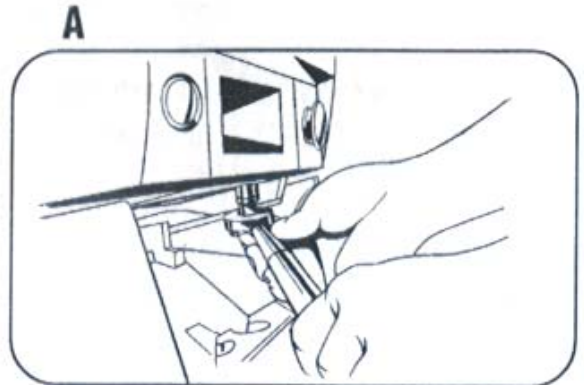
- DIN Radio Provision with Pocket	9
- ISO Radio Provision with Pocket	10
- Double DIN Radio Provision	11
- Stacked ISO Units Provision	12

<u>Final Assembly</u>	13
-----------------------------	----

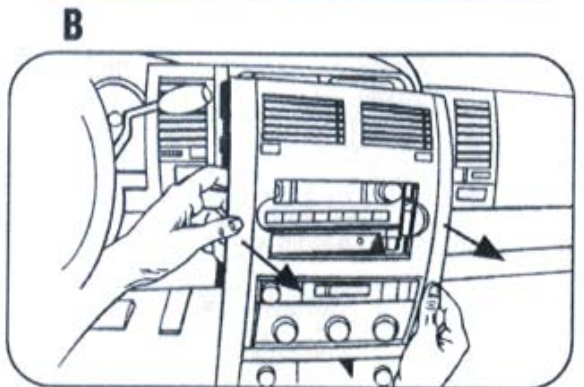
CHRYSLER ASPEN 2007
DODGE DURANGO 2004-2006

1 Disconnect the negative battery terminal to prevent an accidental short circuit.

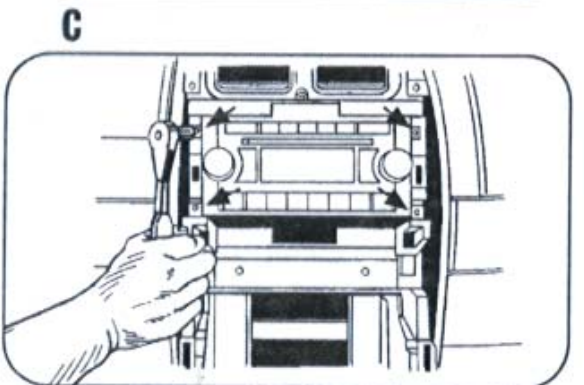
2 Remove (2) 7MM screws from the inside of the pocket facing upward. **(Figure A)**



3 Unclip and remove the entire trim panel surrounding the radio and climate controls. **(Figure B)**



4 Remove (4) 7MM screws securing radio to dash and remove radio. **(Figure C)**



5 Continue to kit assembly.

DODGE CHARGER 2005-2006

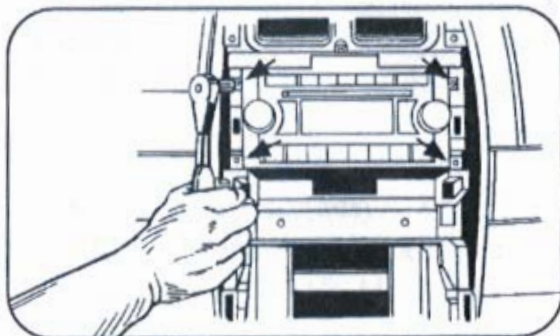
DODGE MAGNUM 2005-2006

- 1 Disconnect the negative battery terminal to prevent an accidental short circuit.
- 2 Unclip and remove entire panel surrounding radio and climate controls, including a/c vents. (Figure A)
- 3 Remove (4) 7MM screws securing radio to dash and remove radio. (Figure B)
- 4 Continue to kit assembly.

A



B



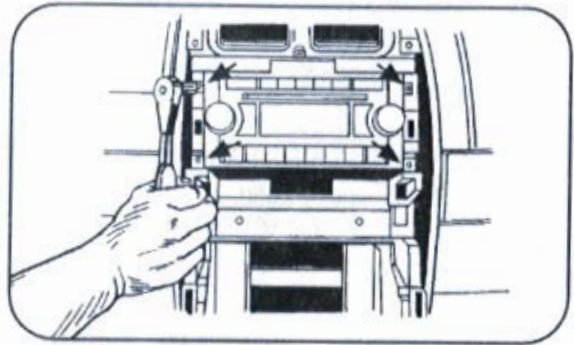
CHRYSLER 300 2005-2006

- 1 Disconnect the negative battery terminal to prevent an accidental short circuit.
- 2 Unclip and remove entire panel surrounding radio and climate controls, including a/c vents and clock. **(Figure A)**
- 3 Remove (4) 7MM screws securing radio to dash and remove radio. **(Figure B)**
- 4 Continue to kit assembly.

A

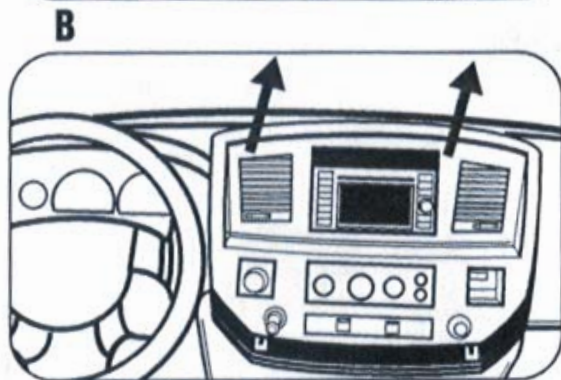


B



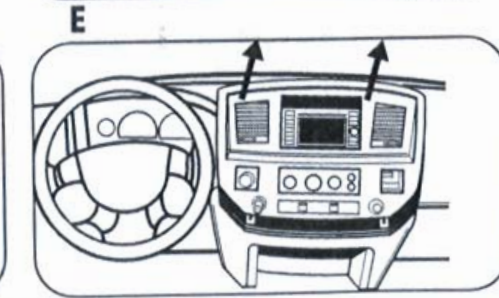
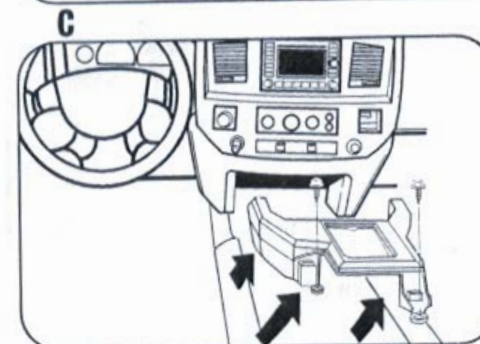
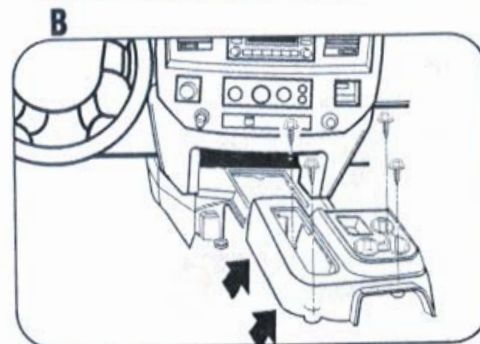
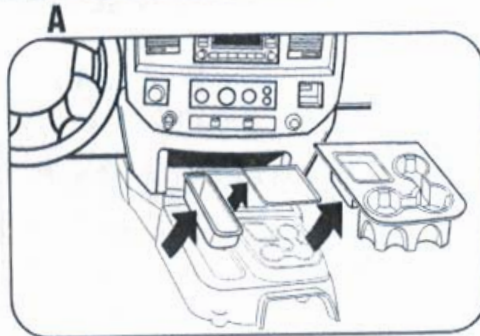
DODGE RAM 2006 **WITHOUT CENTER CONSOLE**

- 1 Disconnect the negative battery terminal to prevent an accidental short circuit.
- 2 Open cup holder and remove (2) Phillips screws facing up on front edge of radio/climate control panel. (Figure A)
- 3 Unclip and remove entire panel surrounding radio and climate controls, including a/c vents. (Figure B)
- 4 Remove (4) 7MM screws securing radio to dash and remove radio.
- 5 Continue to kit assembly.



DODGE RAM 2006 **WITH MINI CENTER CONSOLE**

- 1 Disconnect the negative battery terminal to prevent an accidental short circuit.
- 2 If vehicle has floor shifter, remove shifter knob.
- 3 Remove center console inserts, if present. **(Figure A)**
- 4 Remove screws securing the rear center console to the floor panel. Lift up on the rear center console to clear the gear shift lever, if present. **(Figure B)**
- 5 Remove screws securing the front center console to the floor panel. Unclip and remove the front center console. **(Figure C)**
- 6 Remove two phillips head screws at bottom of dash. Unsnap and remove lower panel.
- 7 Remove (2) Phillips screws facing up on front edge of radio/climate control panel. **(Figure D)**
- 8 Unclip and remove entire panel surrounding radio and climate controls, including a/c vents. **(Figure E)**
- 9 Remove (4) 7MM screws securing radio to dash and remove radio.
- 10 Continue to kit assembly.

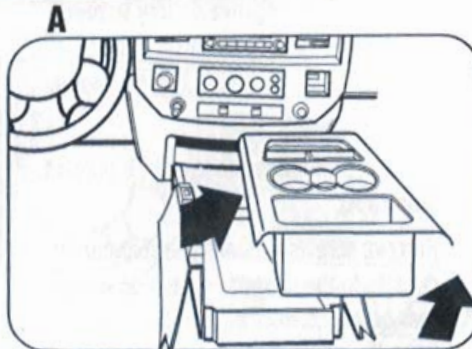


DODGE RAM 2006 **WITH FULL CENTER CONSOLE**

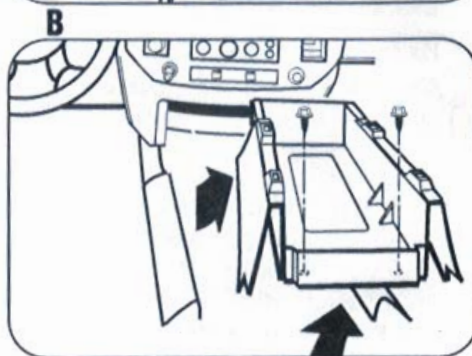
Disconnect the negative battery terminal to prevent an accidental short circuit.

If vehicle has floor shifter, remove shifter knob.

- 3 Unsnap and remove console front top cover (closest to the dash). (Figure A)

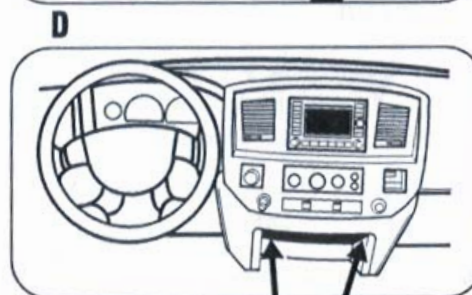


- 4 Remove two 8 mm screws from under console cover (previously removed). Remove front section of console. (Figure B)

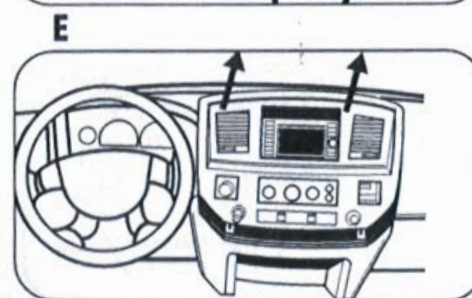


- 5 Loosen two 8 mm screws at bottom of dash. Unsnap lower panel.

- 6 Remove (2) Phillips screws facing up on front edge of radio/climate control panel. (Figure D)



- 7 Unclip and remove entire panel surrounding radio and climate controls, including a/c vents. (Figure E)

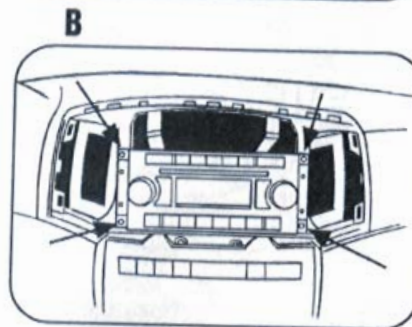
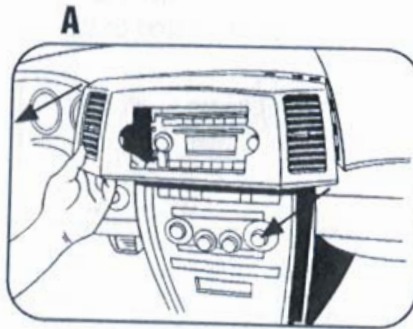


- 8 Remove (4) 7MM screws securing radio to dash and remove radio.

- 9 Continue to kit assembly.

JEEP GRAND CHEROKEE 2005-2006

- 1 Disconnect the negative battery terminal to prevent an accidental short circuit.
- 2 Unsnap and remove panel from around radio including the vent on each side. (Figure A)
- 3 Remove (4) 7MM screws securing radio to dash and remove radio. (Figure B)
- 4 Continue to kit assembly.

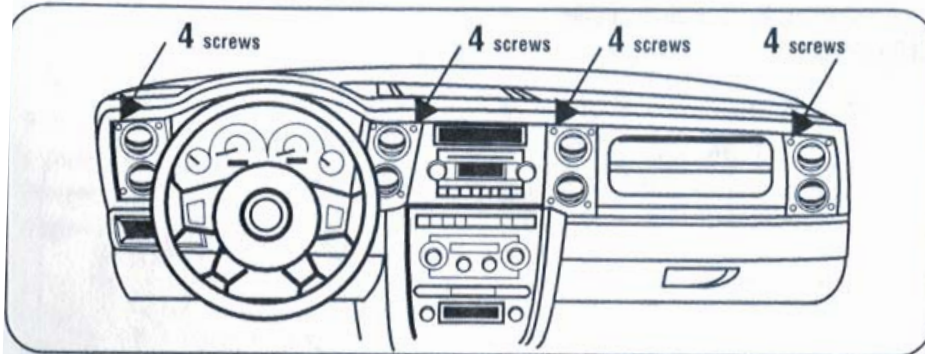


JEEP COMMANDER 2006

Disconnect the negative battery terminal to prevent an accidental short circuit.

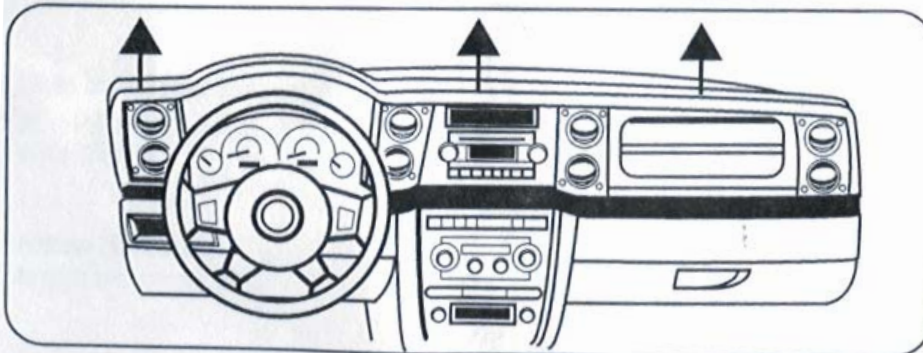
- 2 Remove the (16) screws securing the radio trim panel. (**Figure A**)

A



- 3 Unclip and remove the entire radio trim panel. (**Figure B**)

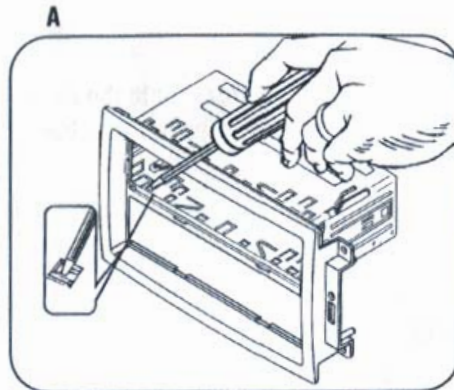
B



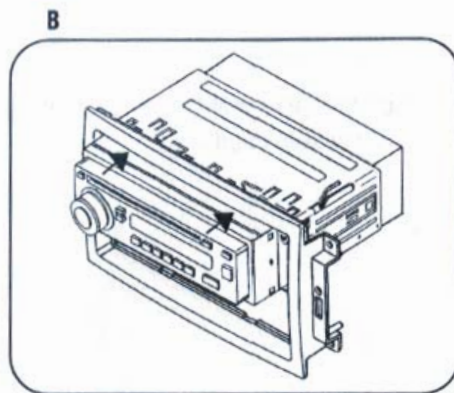
- 4 Remove (4) 7MM screws securing radio to dash and remove radio.
- 5 Continue to kit assembly.

DIN RADIO PROVISION WITH POCKET

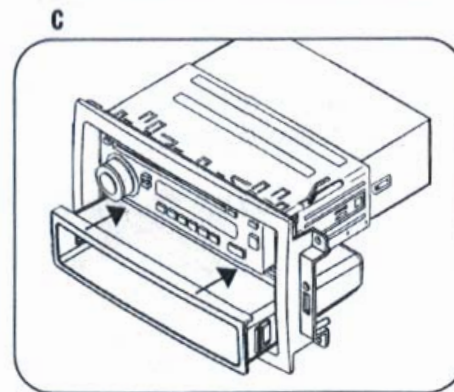
- 1 Slide the DIN cage into the radio housing and secure by bending the metal locking tabs down. (Figure A)



- 2 Slide the aftermarket radio into the cage until secure. (Figure B)



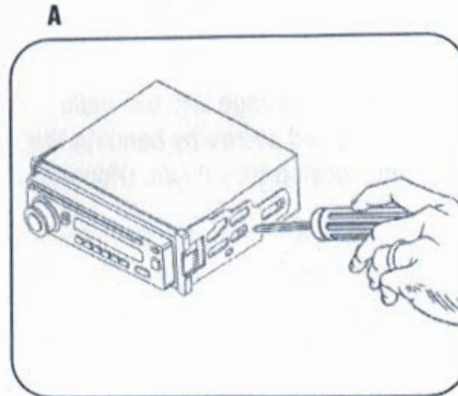
- 3 Snap the pocket into the radio housing. (Figure C)



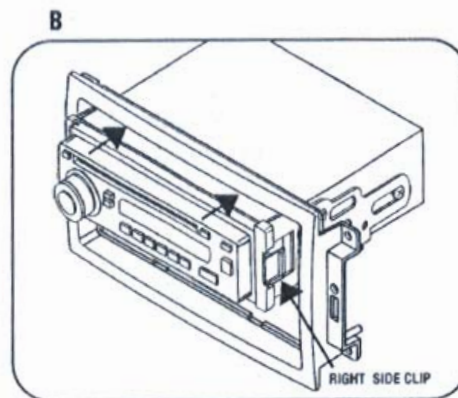
- 4 Continue to final assembly.

ISO RADIO PROVISION WITH POCKET

- 1 Mount the ISO Brackets to the radio with the screws supplied with the unit. (Figure A)



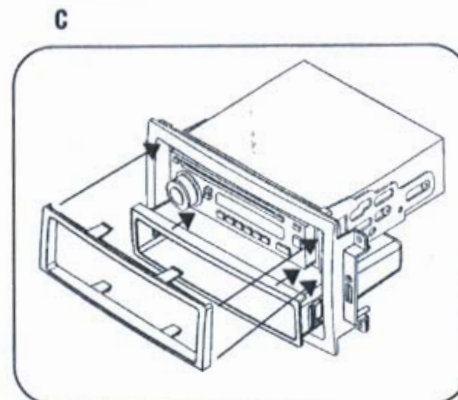
- 2 Slide the radio into the radio opening until the side clips engage. (Figure B)



- 3 Snap the ISO Trim Plate into the radio housing. (Figure C)

- 4 Snap the pocket into the radio housing. (Figure C)

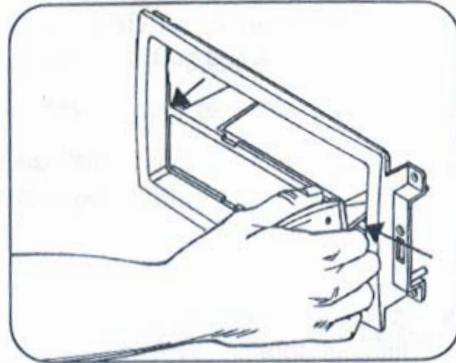
- 5 Continue to final assembly.



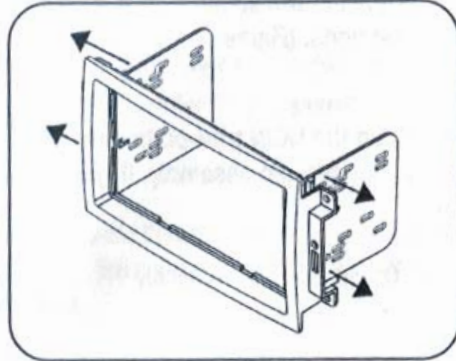
DOUBLE DIN RADIO PROVISION

- 1 Cut and remove center divider in radio housing. (Figure A)
- 2 Snap the DDIN brackets to the inside edge of the radio housing. (Figure B)
- 3 Slide the DDIN radio unit into the DDIN bracket/radio housing assembly and secure the radio unit to the kit using the screws supplied with the radio unit. (Figure C)
- 4 Snap the DDIN trim-plate onto the housing/radio assembly. (Figure D)
- 5 Continue to final assembly.

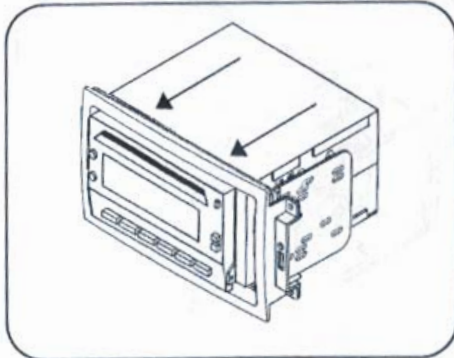
A



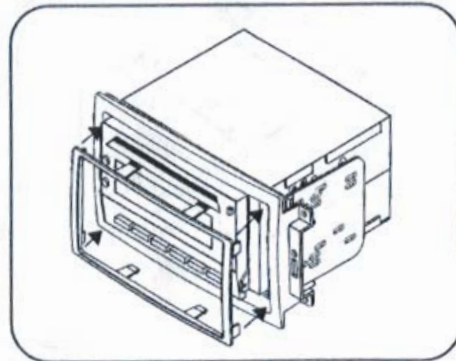
B



C



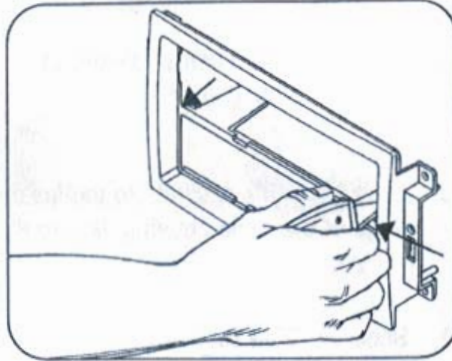
D



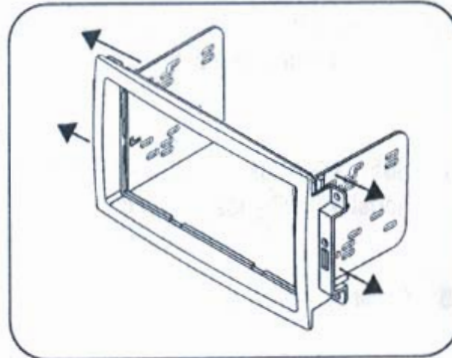
STACKED ISO UNITS PROVISION

- 1 Cut and remove center divider in radio housing. (Figure A)
- 2 Snap the DDIN brackets to the inside edge of the radio housing. (Figure B)
- 3 Slide the stacked ISO DIN radio units into the DDIN bracket/radio housing assembly and secure the unit to the kit using the screws supplied with the units. (Figure C)
- 4 Snap the DDIN trim-plate onto the housing/radio assembly. (Figure D)
- 5 Continue to final assembly.

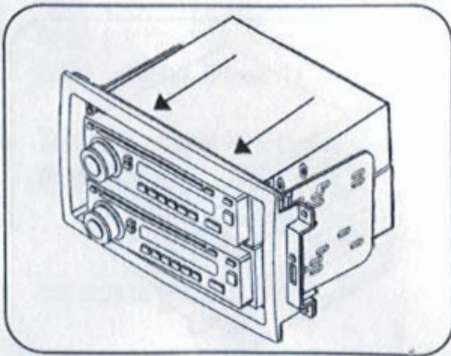
A



B



C



D

