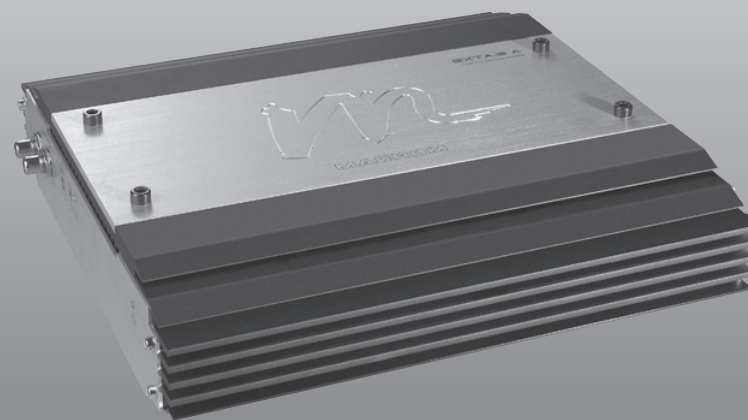


MACROM



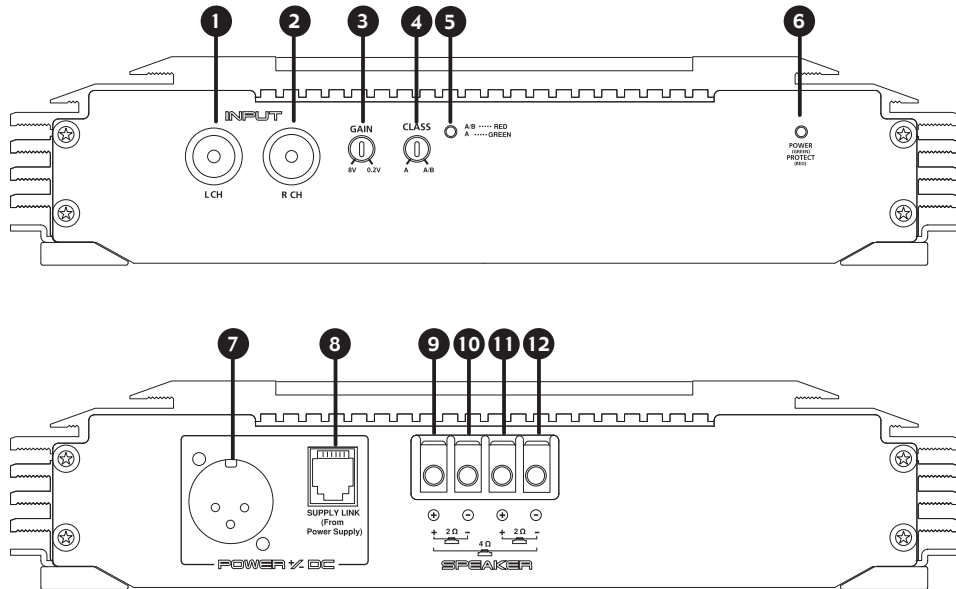
EXT.A3A

MACROM

ALDINET Spa
Viale C. Colombo 8
20090 Trezzano sul Naviglio (MI)
ITALY

Owner's Manual

Front/Rear view

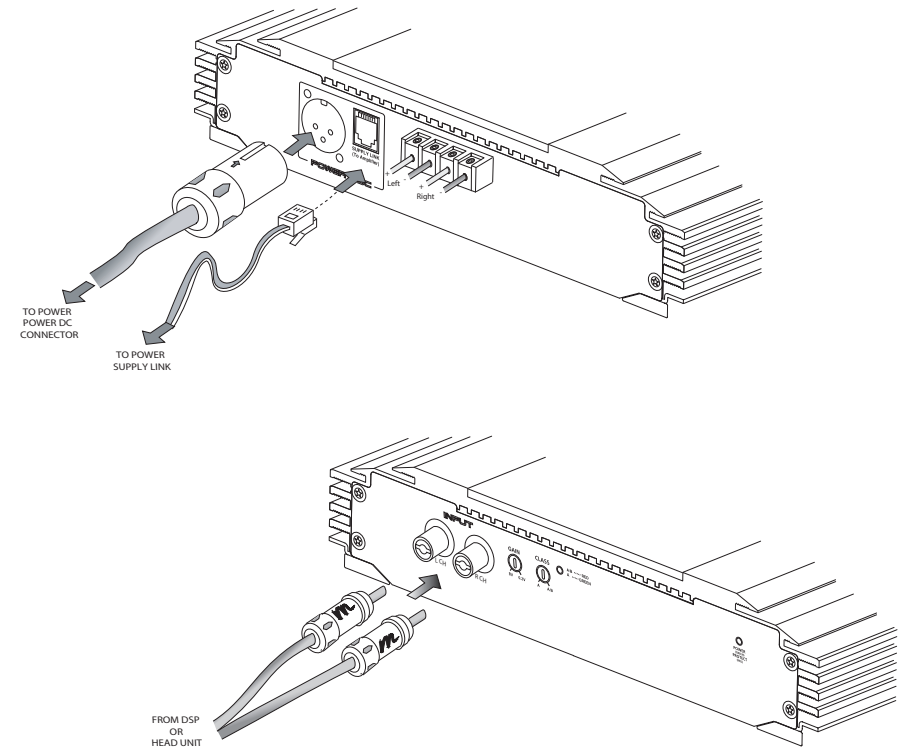


- | | |
|--|---|
| <ul style="list-style-type: none"> 1 Low Level Input LEFT Channel 2 Low Level Input RIGHT Channel 3 Input sensitivity 4 Class Adjustment (A to A/B) 5 Class indicator 6 Amplifier Status | <ul style="list-style-type: none"> 7 + Left channel terminal (+ MONO) 8 - Left channel terminal 9 + Right channel terminal 10 - Right channel terminal (- MONO) 11 Power +/- DC Input 12 Supply Link (connect in to the Power supply) |
|--|---|

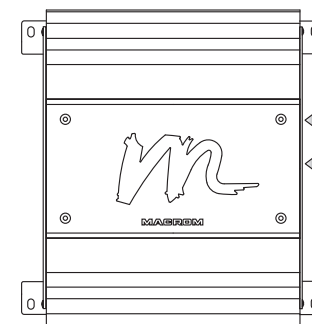
Features

- Pure class A Two channel power amplifier
- 50 x2 watts in Class A mode
- 100 x2 watts in Class AB mode
- High efficiency T03P transistor on amplifier stage
- Class Adjustable from A to AB
- 2 ohm load compatible
- RCA line Input
- Bridgeable mode configuration

Connection view

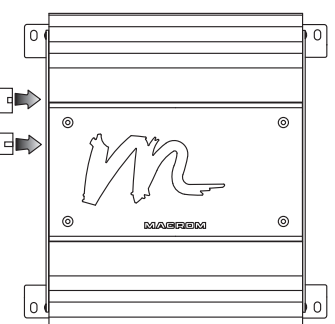


Power Supply



EXT.A2PS

Power Amplifier



EXT.A3A