

COMP di eci

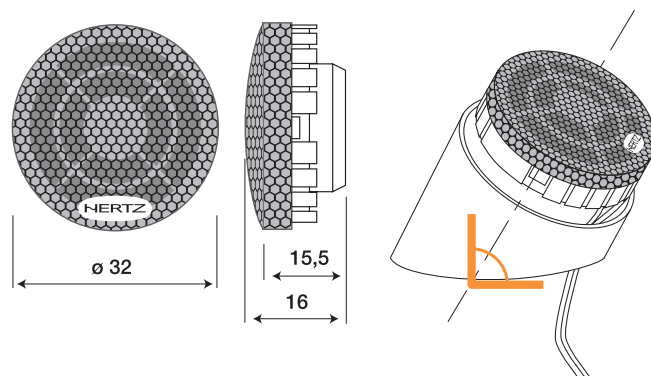
DT 16 80 Watt



Technical Specifications

Component	Tweeter	
Size	mm	15 (19/32")
Power Handling (Watt)	peak	80
	continuous program	80W@3,5kHz 12dB Oct.
Impedance	Ohm	4
Frequency response	Hz	3k-21k
Sensitivity	dB/SPL	93
Outer diameter	mm	32
Mounting hole diameter	mm	35
Magnet size	mm	21
Total depth	mm	16
Mounting depth	mm	15,5
Weight of one component	kg	0,021
Voice coil diameter	mm	14

- 1 Mylar dome tweeter.
- 2 15mm \varnothing , ultra-light ferrofluid-cooled mobile voice coil.
- 3 High energy neodymium magnet.
- 4 Support with accessories for external or embedded mounting.



Electro-Acoustic Parameters

D	mm	15
Xmax	mm	-
Re	ohm	3,3
Fs	Hz	2500
Le	mH@1kHz	0,30
Le	mH@10kHz	0,04
Vas	lit	-
Mms	gr	-
Cms	mm/N	-
BL	T-m	-
Qts		0,64
Qes		2,36
Qms		0,89
Spl (1m/2,83V)	dB	93

dieci

The Dieci Line represents a new performance landmark in its category. Hertz aimed at obtaining high efficiency, maximum tonal quality and high grade tonal accuracy.

The speaker cones and voice coil formers are made of a special natural paper mixture. Foam surrounds and cotton spiders ensure mechanical reliability and optimal control even under high excursion conditions. The large motor allows tight control of the loudspeaker moving assembly for tight, dynamic output.

The Dieci line is the perfect speaker choice for factory OEM upgrades, direct head power or with high quality amplifiers.

Start the right way: with the first step into the Hertz world.

Thanks to the inverted phase plug and to the very light Mylar membrane, the **DT 16 TWEETER** manages to have the same technical and acoustical benefits of a conventional dome membrane component.

Compact **SIZE**



DIECI WOOFER cone is totally new: the pressed paper V-cone ensures maximum linearity and wide sound dispersion.

DIECI WOOFERS were designed for easy installations in OEM factory speaker locations and are optimized for unique acoustics found in the automotive environment.



The low-loss crossovers, provided with the coaxial and component systems, do not alter the original musical signal, always providing clear, powerful, undistorted sound.

DIECI COAX are provided with Neodimium magnet tweeter featuring built-in crossover for bursting dynamics and DIN size gasket for an easy installation in whatever factory locations.



DIECI SUBWOOFERS provide very high efficiency, as well as superior power handling. The pure copper voice coils are wound on aluminium formers, providing good thermal and mechanical capacity. The vented hole on the bottom plate allows better thermal dissipation and linear excursion.



The **DBX 250** enclosure is made of multi-layer laminated Plywood. The Xponential Flanged Duct ensures maximum linearity of the airflow, providing tight, dynamic bass. The angled rear wall allows easy installation and ensures diffusion of the rear wave for resonance-free performance.

