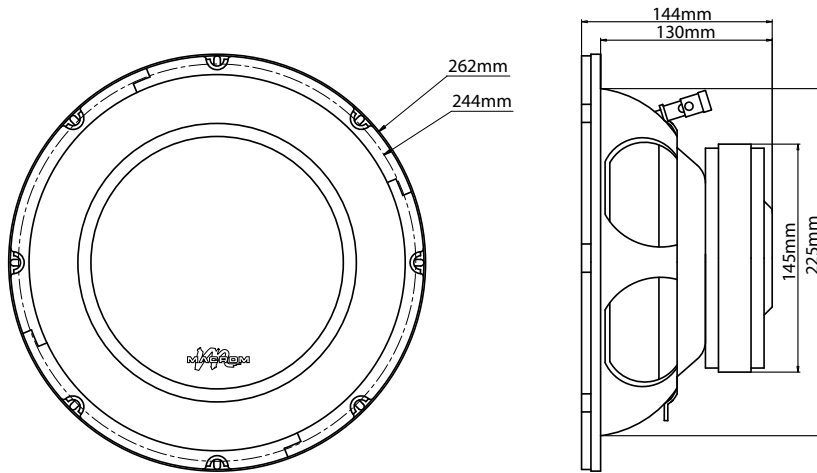




# M2W.104

25cm (10") Sub woofer  
500 watts max power handling



### Theile-Small parameters

<b>Fs :</b>	26	Hz
<b>Qms</b>	5,47	
<b>Vas:</b>	48,2	Liters
<b>Cms:</b>	320	um/N
<b>Mms:</b>	118,9	g
<b>X-max:</b>		mm
<b>Qes:</b>	0,33	
<b>Re:</b>	3,8	Ohms
<b>BL:</b>	14,9	Tm
<b>Qts:</b>	0,31	
<b>SPL:</b>	88	dB

### Sealed Enclosure

<b>Enclosure volume</b>	Liters	14	16	20	24	28
<b>F-3</b>	Hz	61,3	60	60	60	61
<b>Qtc</b>		0,65	0,62	0,56	0,53	0,5
<b>Net volume</b>	Liters	12,3	14,3	18,3	22,3	26,3
<b>Driver volume</b>	Liters	2,17	2,17	2,17	2,17	2,17
<b>Excursion limit SPL</b>	dB	113	113	113	113	113
<b>Excursion limit Power</b>	W	400	400	400	400	400

### Vented Enclosure

<b>Enclosure volume</b>	Liters	20	24	28	35	40
<b>Vented dimensions</b>	Ø x mm	60x268	60x207	60x165	60x168	80x282
<b>F-3</b>	Hz	38	36	35	31	30
<b>Tuning frequency</b>	Hz	40	40	40	35	35
<b>Net volume</b>	Liters	17,44	21,44	25,44	32,78	36,82
<b>Driver volume</b>	Liters	2,17	2,17	2,17	2,17	2,17
<b>Vented volume</b>	Liters	0,85	0,65	0,54	0,51	1,53
<b>Excursion limit SPL</b>	dB	114	113	115	113	114
<b>Excursion limit Power</b>	W	400	400	400	400	400

Due to continuing improvement, the features and the specification are subject to change without notice