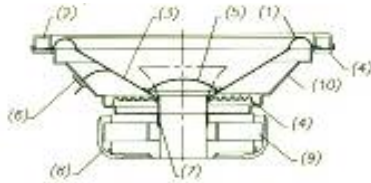
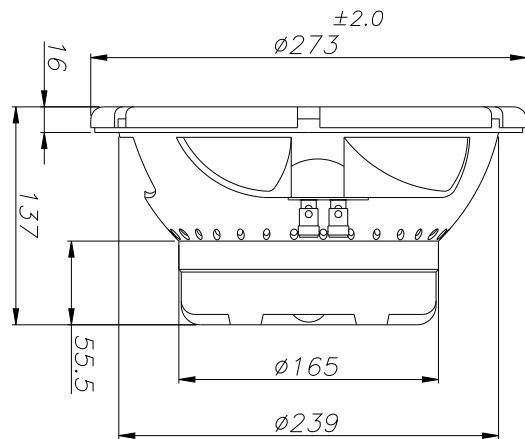
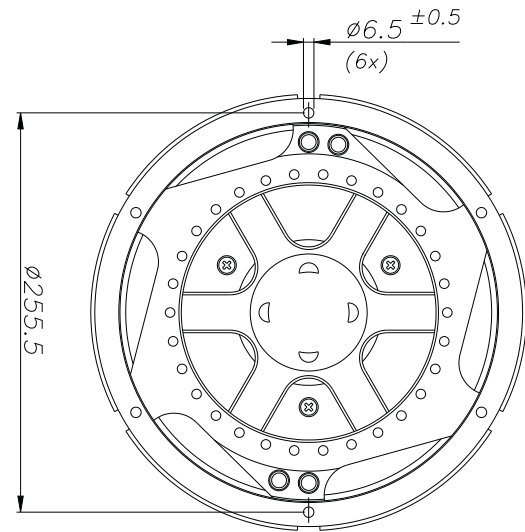


SUB WOOFER

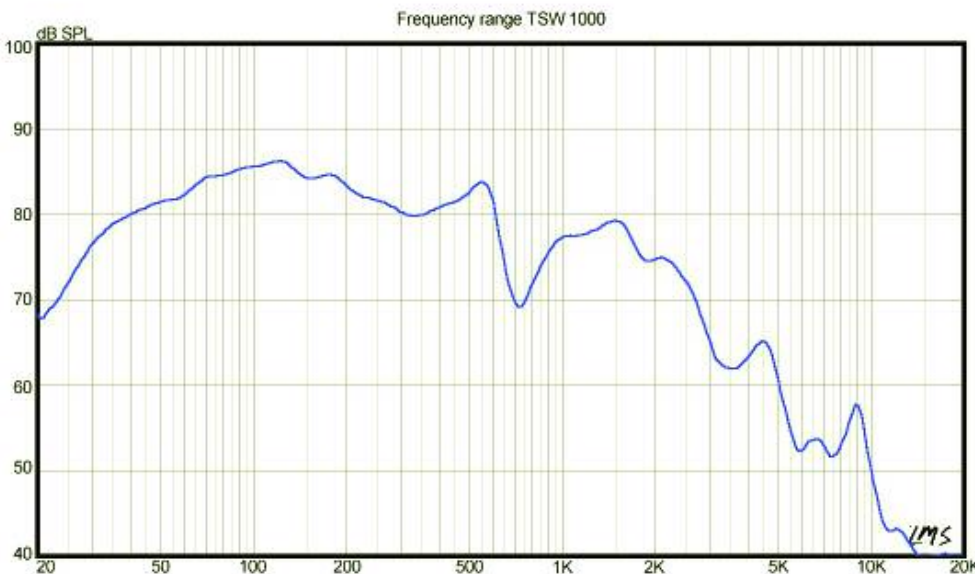
- 1 Surround TPR material
- 2 Gasket TPR material
- 3 Cone PMGS injected
- 4 Spider TPR material
- 5 Dust Cap not present
- 6 Terminal push type
- 7 Voice coil 50x28 mm. 4 layers TIL former
- 8 Magnet system vented 8,0 mm. gap height
- 9 Magnet 147x63x24 mm.
- 10 Basket frame aluminium material



TSW 1000



Frequency range	30 - 2000 Hz
Equivalent volume, Vas	48 L
Compliance, Cms	0,254 mm/N
Mechanical resistance, Rms	3,40 Ns/m
Effective diaphragm/cone area, Sd	363 cm ²
Voice coil diameter	50 mm
Voice coil height	28 mm
Air gap height	8 mm
Linear excursion, Xmax	±10 mm
Max mechanical excursion	±20 mm
Nominal impedance	4 ohm
Voice coil resistance	3,9 ohm
Voice coil inductance	3,18 mH
Free air resonance, Fs	30 Hz
Sensitivity, Spl (1W,1m)/(2.83V/1m)	85/88 dB
Force factor, Bxl	14,6 Tm
Moving mass, Md	106 g
Qms	6,14
Qes	0,39
Qts	0,37
Nominal power	400 W
Short term max power	800 W
Magnet weight	1663 g
Total weight of driver	5100 g



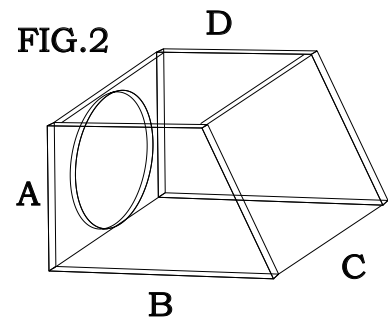
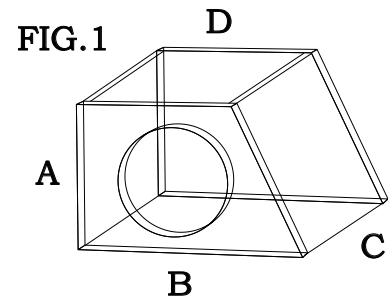
SUB WOOFER

TSW 1000

Sospensione pneumatica

Vol [ft]	Qtc	F3 [Hz]	Tipo di mobile	A [mm]	B [mm]	C [mm]	D [mm]
25	0.69	47	fig.1	300	440	230	300
25	0.69	47	fig.2	300	340	300	200

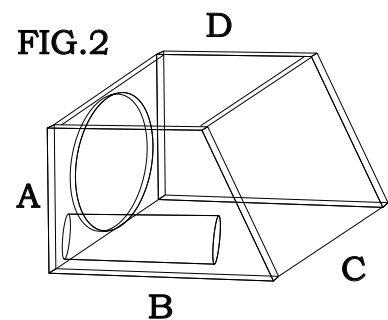
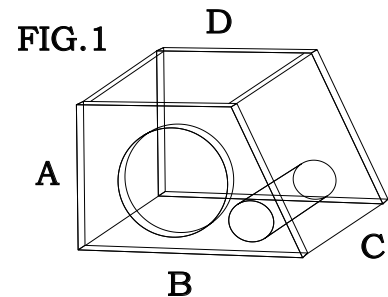
Misure INTERNE al mobile di spessore 20 mm.
Riempire di materiale fonoassorbente il mobile.



Reflex

Vol [ft]	Fs [Hz]	F3 [Hz]	Tipo di allineamento	A [mm]	B [mm]	C [mm]	D [mm]	d	l
35	35	59	libero	320	460	280	320	110	300
35	35	59	libero	320	410	320	270	110	300

Misure esterne al mobile di spessore 19 mm.
Disporre materiale fonoassorbente alle pareti.



REFLEX

COD. TEC PRECISION

RFX-110

oppure

RFX-95/E + 3PZ RFX-RACCORD

