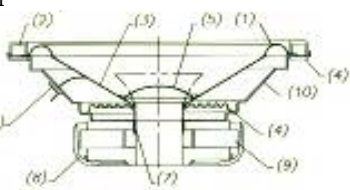


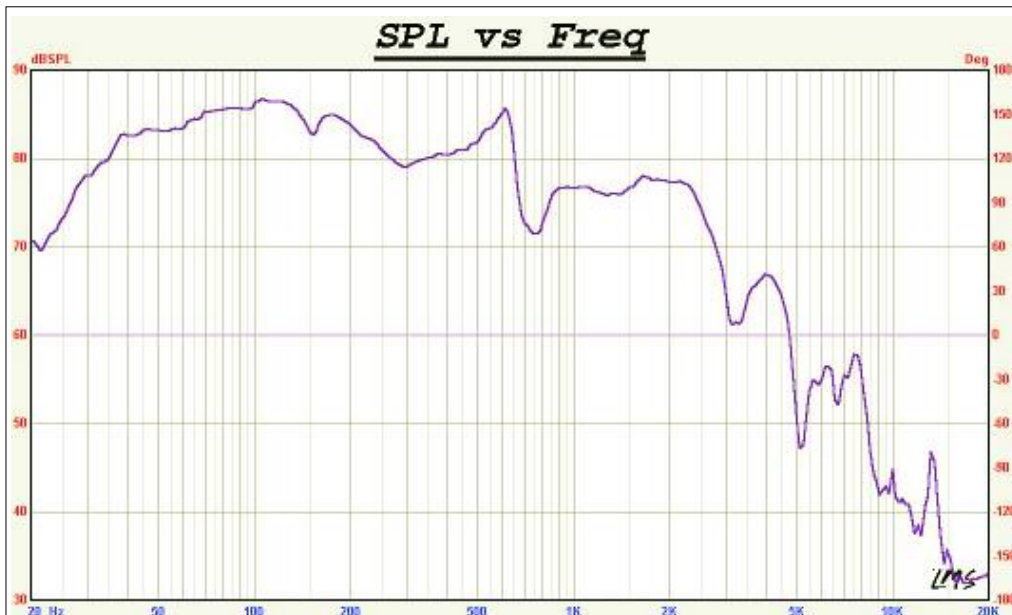
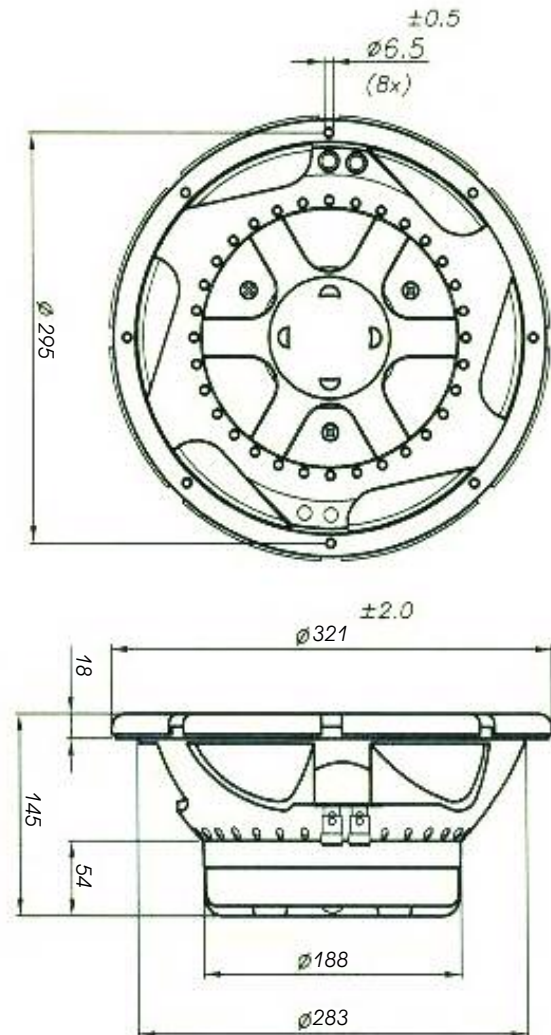
# SUB WOOFER

# TSW 1200

- 1 Surround TPR material
- 2 Gasket PPI injected
- 3 Cone PMGS injected
- 4 Spider TPR material
- 5 Dust Cap not present
- 6 Terminal push type
- 7 Voice coil 65x30 mm. 4 layers TIL former perforated
- 8 Magnet system vented 8,0 mm. gap height
- 9 Magnet 169x86x24 mm.
- 10 Basket frame aluminium material



Frequency range	27 - 2000 Hz
Equivalent volume, Vas	88 L
Compliance, Cms	0,205 mm/N
Mechanical resistance, Rms	5,13 Ns/m
Effektive diaphragm/cone area, Sd	551 cm <sup>2</sup>
Voice coil diameter	65 mm
Voice coil height	30 mm
Air gap height	8,0 mm
Linear excursion, Xmax	± 11 mm
Max mechanical excursion	± 20 mm
Nominal impedance	4 ohm
Voice coil resistance	3,8 ohm
Voice coil inductance	3,5 mH
Free air resonance, Fs	27 Hz
Sensitivity, Spl (1W,1m)/(2.83V/1m)	86/89 dB
Force factor, Bxl	16,2 Tm
Moving mass, Md	169 g
Qms	5,60
Qes	0,42
Qts	0,39
Nominal power	500 W
Short term max power	1000 W
Magnet weight	1805 g
Total weight of driver	7500 g



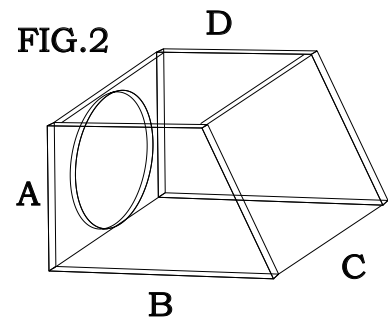
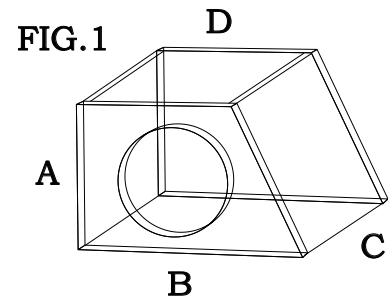
# SUB WOOFER

# TSW 1200

## Sospensione pneumatica

Vol [ft] volume netto	Qtc fattore di merito totale	F3 [Hz] frequenza a -3dB	Tipo di mobile	A [mm]	B [mm]	C [mm]	D [mm]
31	0.69	47	fig.1	350	490	320	350
31	0.69	47	fig.2	350	440	350	300

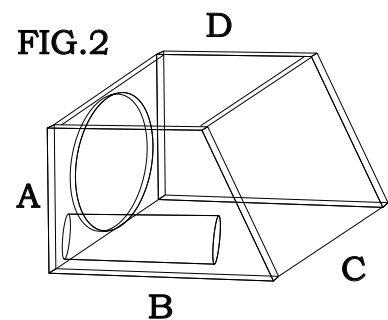
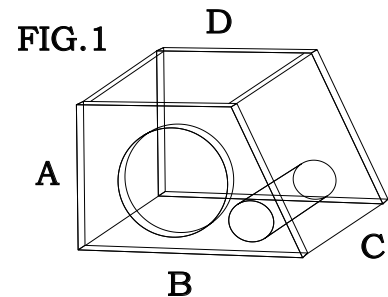
Misure esterne al mobile di spessore 21 mm.  
Riempire di materiale fonoassorbente il mobile.



## Reflex

Vol [ft] volume netto	Fs [Hz] frequenza di accordo	F3 [Hz] frequenza a -3dB	Tipo di allineamento	A [mm]	B [mm]	C [mm]	D [mm]	d	l
60	31	29	libero	400	560	420	400	110	300
60	31	29	libero	400	560	420	400	110	300

Misure esterne al mobile di spessore 19 mm.  
Disporre materiale fonoassorbente alle pareti.



### REFLEX

COD. TEC PRECISION

RFX-110

oppure

RFX-95/E + 3PZ RFX-RACCORD

