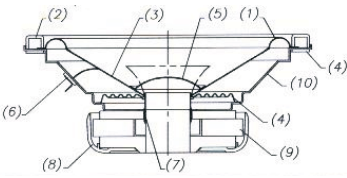


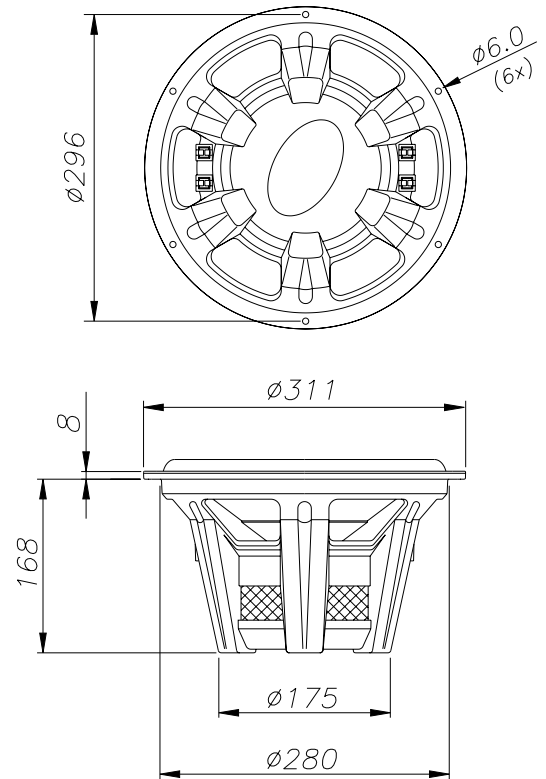
SUB WOOFER

UXP12D-2

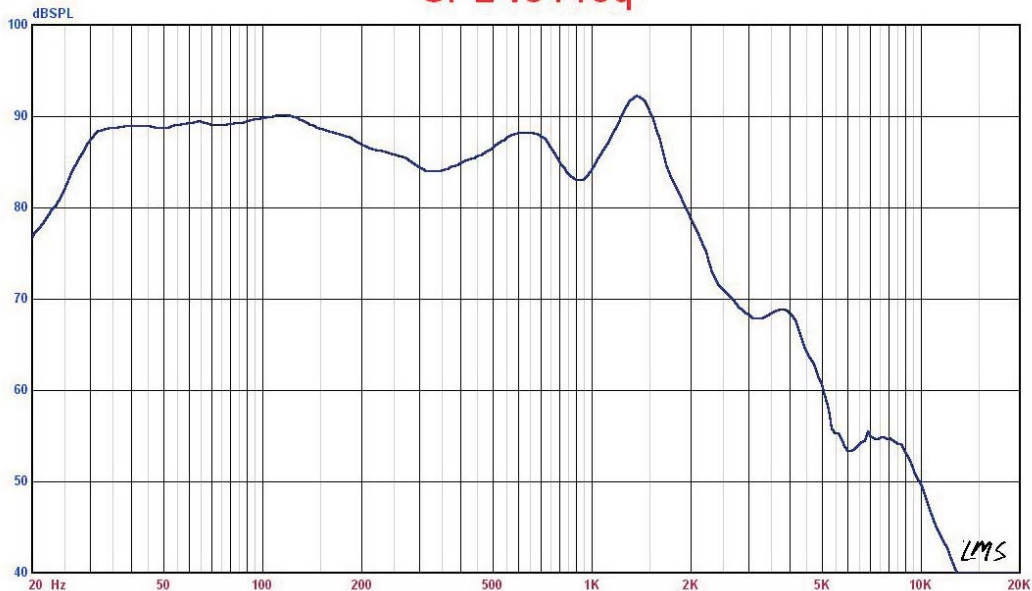
- 1 Surround TPR material
- 2 Gasket TPR material
- 3 Cone PMGS injected
- 4 Spider CONEX material
- 5 Dust Cap PP injected
- 6 Terminal push type
- 7 Double voice coil 63,5X25 mm. 2 layers Kapton former
- 8 Magnet system vented 9,5 mm. gap height
- 9 Double magnet 147x72x15 (2x) mm.
- 10 Basket frame Steel material



Frequency range	32 - 800 Hz
Equivalent volume, Vas	61 L
Compliance, Cms	0,170 mm/N
Mechanical resistance, Rms	2,93 Ns/m
Effektive diaphragm/cone area, Sd	530 cm ²
Voice coil diameter	63,5 mm
Voice coil height	25 mm
Air gap height	9,5 mm
Linear excursion, Xmax	8 mm
Max mechanical excursion	16 mm
Nominal impedance	2+2 ohm
Voice coil resistance	1,6+1,6 ohm
Voice coil inductance (1KHz)	0,62 mH
Free air resonance, Fs	32 Hz
Sensitivity, Spl (2,83V/1m)	91 dB
Force factor, Bxl	7,5 Tm
Moving mass, Md	160 g
Qms	5,29
Qes	0,51
Qts	0,47
Nominal power	400 W
Short term max power	800 W
Magnet weight	1800 g
Total weight of driver	6400 g



SPL vs Freq

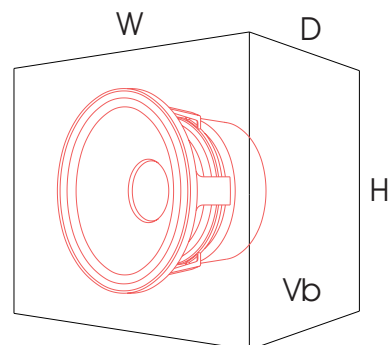


SUB WOOFER

UXP12D-2

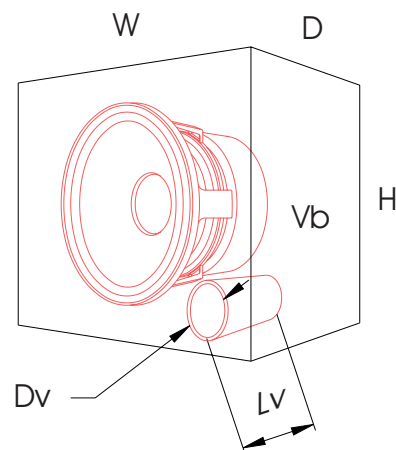
SEALED ENCLOSURES

Vb (net)	Internal Dimensions (mm)		
	W	H	D
39,5 lts	394	343	292



VENTED ENCLOSURES

Vb (net)	Internal Dimensions (mm)					
	W	D	H	Dv	Lv (flat)	Lv (more bass)
56,6 lts	419	343	394	100	400	150



E.B. ACOUSTIC & ELECTRONIC RESEARCH S.R.L.

Via S. Bartolomeo, 10 - 28047 OLEGGIO (NO) Italy Ph. 0039 0321 91430 - Fax 0039 0321 94411

www.ebacoustic.it