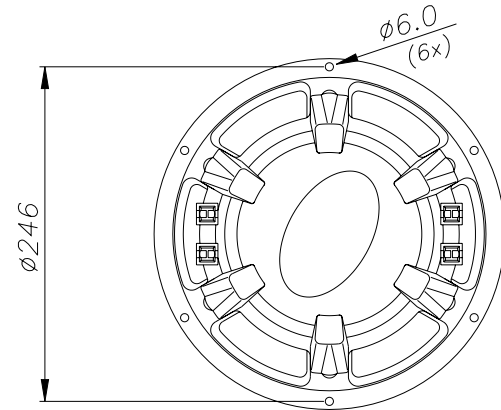
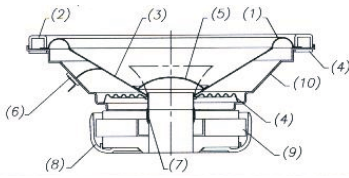


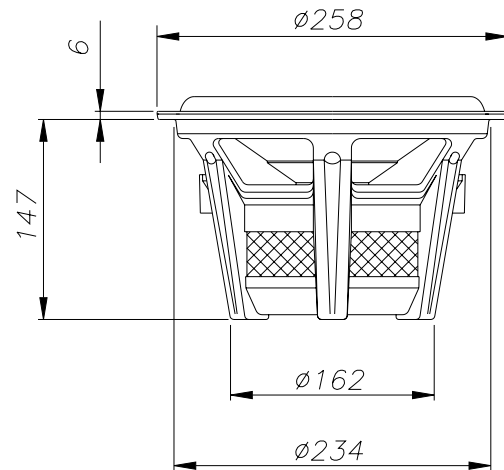
## SUB WOOFER

## UXP10D-2

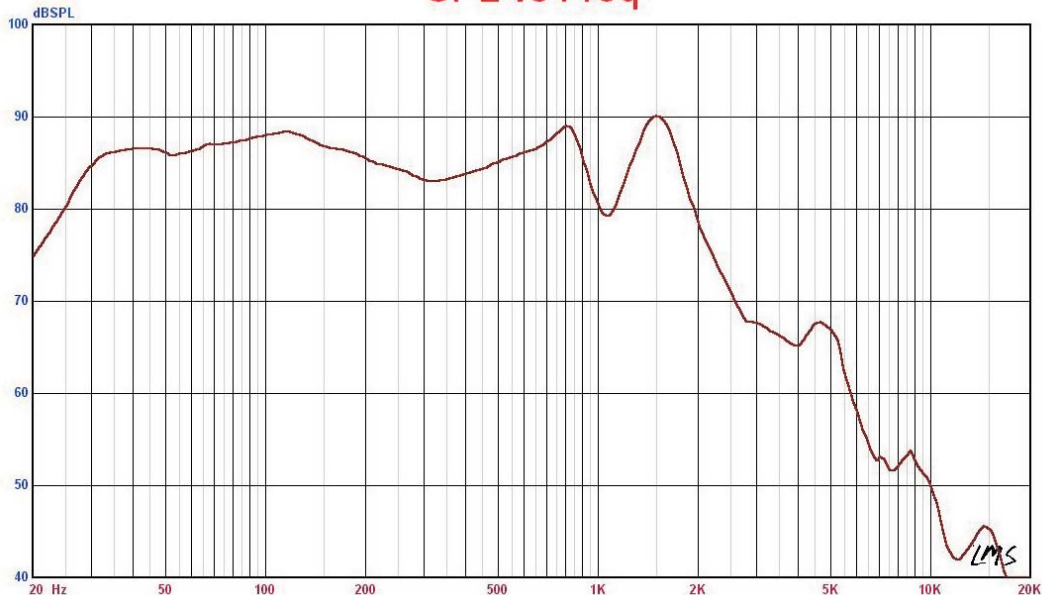
- 1 Surround TPR material
- 2 Gasket TPR material
- 3 Cone PMGS injected
- 4 Spider CONEX material
- 5 Dust Cap PP injected
- 6 Terminal push type
- 7 Double voice coil 50x24 mm. 2 layers TIL former
- 8 Magnet system vented 9,5 mm. gap height
- 9 Double magnet 134x70x14 (2x) mm.
- 10 Basket frame Steel material



Frequency range	35- 1000 Hz
Equivalent volume, Vas	35 L
Compliance, Cms	0,270 mm/N
Mechanical resistance, Rms	1,68 Ns/m
Effektive diaphragm/cone area, Sd	363 cm <sup>2</sup>
Voice coil diameter	50 mm
Voice coil height	24 mm
Air gap height	9,5 mm
Linear excursion, Xmax	8 mm
Max mechanical excursion	16 mm
Nominal impedance	2+2 ohm
Voice coil resistance	1,7+1,7 ohm
Voice coil inductance ( 1KHz )	0,64 mH
Free air resonance, Fs	35 Hz
Sensitivity, Spl (2,83V/1m)	91 dB
Force factor, Bxl	7,0 Tm
Moving mass, Md	98 g
Qms	6,27
Qes	0,40
Qts	0,38
Nominal power	300 W
Short term max power	600 W
Magnet weight	1540 g
Total weight of driver	6450 g



### SPL vs Freq

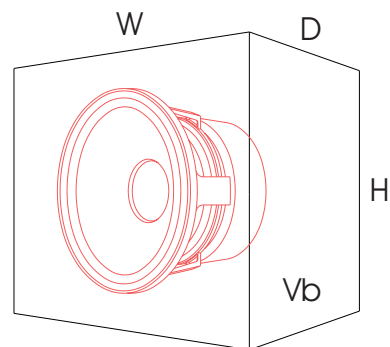


# SUB WOOFER

## UXP10D-2

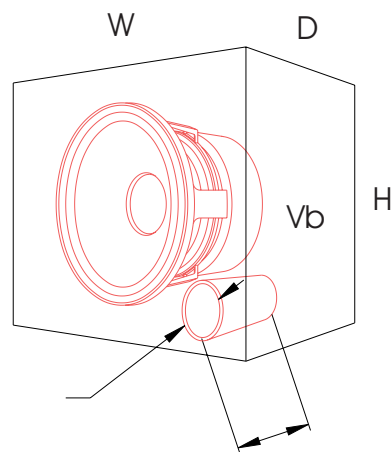
### SEALED ENCLOSURES

Vb (net)	Internal Dimensions (mm)		
	W	H	D
14,9 lts	292	267	191



### VENTED ENCLOSURES

Vb (net)	Internal Dimensions (mm)					
	W	D	H	Dv	Lv (flat)	Lv (more bass )
39,5 lts	394	292	343	100	400	150



**E.B. ACOUSTIC & ELECTRONIC RESEARCH S.R.L.**

Via S. Bartolomeo, 10 - 28047 OLEGGIO (NO) Italy Ph. 0039 0321 91430 - Fax 0039 0321 94411

[www.ebacoustic.it](http://www.ebacoustic.it)