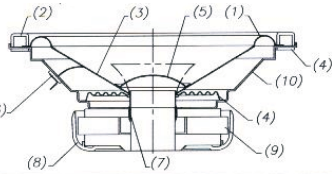


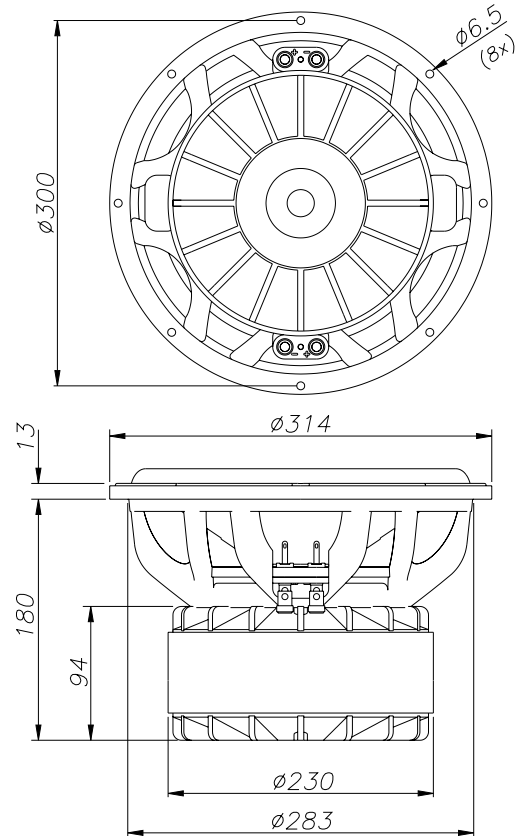
## SUB WOOFER

## EDX12D-2

- 1 Surround TPR material
- 2 Gasket TPR material
- 3 Cone PGFC injected
- 4 Spider CONEX material
- 5 Dust Cap PGFC injected
- 6 Terminal push type
- 7 Double voice coil 76,95x45 mm. 2 layers TIL former
- 8 Magnet system vented 25 mm. gap height
- 9 Double magnet 220x100x25 (2x) mm.
- 10 Basket frame Aluminium material



Frequency range	35 - 600 Hz
Equivalent volume, Vas	44,5 L
Compliance, Cms	0,088 mm/N
Mechanical resistance, Rms	4,55 Ns/m
Effective diaphragm/cone area, Sd	552 cm <sup>2</sup>
Voice coil diameter	76,95 mm
Voice coil height	45 mm
Air gap height	25 mm
Linear excursion, Xmax	19 mm
Max mechanical excursion	35 mm
Nominal impedance	2+2 ohm
Voice coil resistance	1,9+1,9 ohm
Voice coil inductance ( 1KHz )	1,92 mH
Free air resonance, Fs	35 Hz
Sensitivity, Spl (2,83V/1m)	94 dB
Force factor, Bxl	13,1 Tm
Moving mass, Md	192,5 g
Qms	11,7
Qes	0,241
Qts	0,237
Nominal power	1500 W
Short term max power	3000 W
Magnet weight	6800 g
Total weight of driver	19900 g



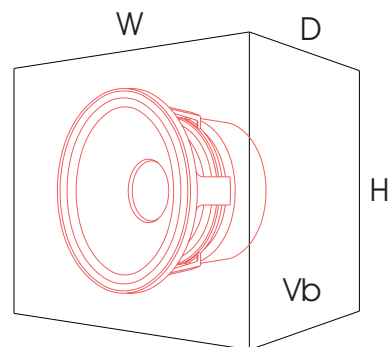
SPL vs Freq



# SUB WOOFER EDX12D-2

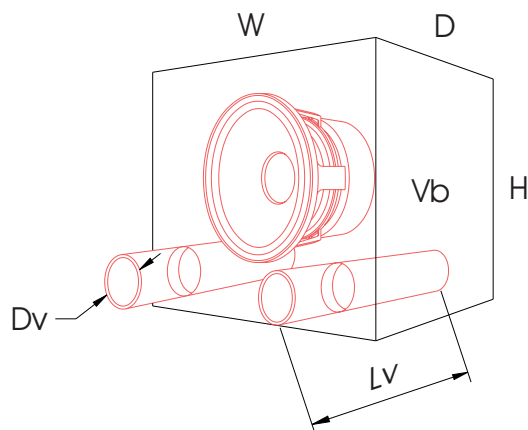
## SEALED ENCLOSURES

Vb (net)	Internal Dimensions (mm)		
	W	H	D
15,7 lts	280	280	200



## VENTED ENCLOSURES

Vb (net)	Internal Dimensions (mm)				
	W	D	H	Dv	Lv
41 lts	410	400	250	100	350



**E.B. ACOUSTIC & ELECTRONIC RESEARCH S.R.L.**

Via S. Bartolomeo, 10 - 28047 OLEGGIO (NO) Italy Ph. 0039 0321 91430 - Fax 0039 0321 94411

[www.ebacoustic.it](http://www.ebacoustic.it)