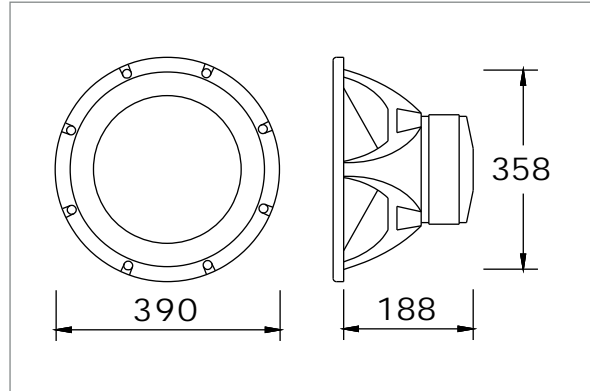


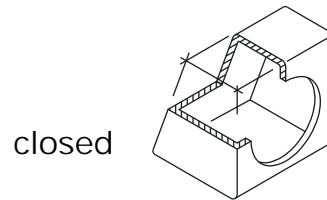
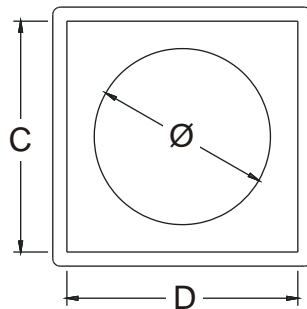
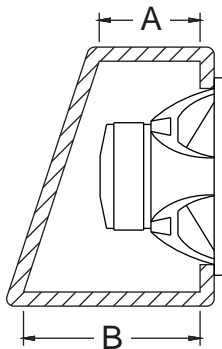
TXS 15 - 390 mm subwoofer



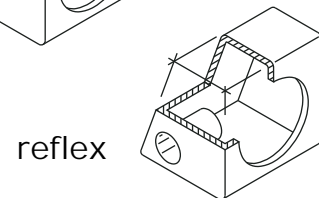
TECHNICAL DATA

max power (Pm)	1000 watt	mechanical Q factor (Qms)	3.45
nominal power (Pn)	500 watt	electrical Q factor (Qes)	1.08
frequency range (BW)	25 ÷ 2000 Hz	total Q factor (Qts)	0.82
sensitivity (2.83 V/m)	93 dB	moving mass (Mms)	155.5 g
nominal impedance (Zn)	4 ohm	compliance (Cms)	0.08 mm/N
resonance frequency (Fs)	44 Hz	equivalent volume (Vas)	71 litres
voice coil diameter	75 mm	force factor (BxL)	11.5 N/A
cone material	polypropylene	voice coil resistance (Re)	3.3 ohm
surround material	butyl rubber	voice coil inductance (Le)	0.5 mH
basket material	aluminium die cast	emission diameter (D)	314 mm
magnet material	ferrite	linear excursion (Xmax)	± 6 mm

SUGGESTED BOX



closed



reflex

	A	B	C	D	Ø	reflex tube	Volume
	mm	mm	mm	mm	mm	mm	litres
closed box	200	350	420	540	360	-	62
reflex box	350	500	420	850	360	Ø 154 / L 80	152