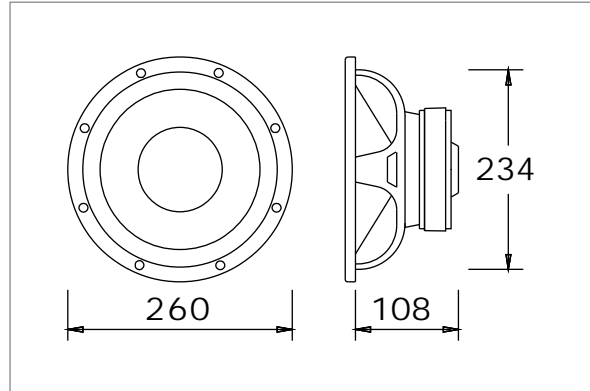


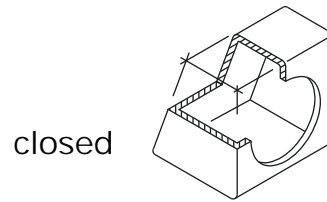
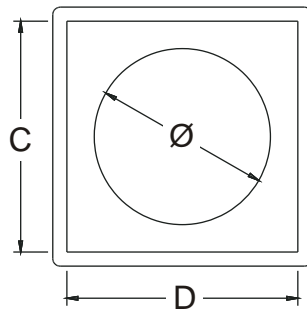
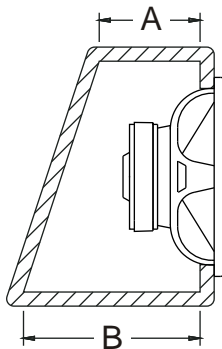
TLS 10 - 260 mm subwoofer



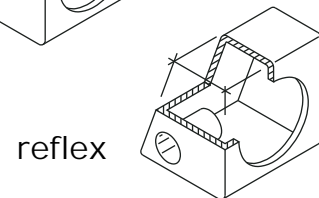
TECHNICAL DATA

max power (Pm)	350 watt	mechanical Q factor (Qms)	3.26
nominal power (Pn)	175 watt	electrical Q factor (Qes)	0.48
frequency range (BW)	35 ÷ 2000 Hz	total Q factor (Qts)	0.42
sensitivity (2.83 V/m)	91 dB	moving mass (Mms)	55.2 g
nominal impedance (Zn)	4 ohm	compliance (Cms)	0.32 mm/N
resonance frequency (Fs)	35 Hz	equivalent volume (Vas)	55 litres
voice coil diameter	50 mm	force factor (BxL)	10 N/A
cone material	polypropylene	voice coil resistance (Re)	3.4 ohm
surround material	butyl rubber	voice coil inductance (Le)	0.8 mH
basket material	stamped steel	emission diameter (D)	210 mm
magnet material	ferrite	linear excursion (Xmax)	± 4 mm

SUGGESTED BOX



closed



reflex

	A	B	C	D	Ø	reflex tube	Volume
	mm	mm	mm	mm	mm	mm	litres
closed box	120	230	300	320	236	-	17
reflex box	175	300	340	400	236	Ø 94 / L 180	32