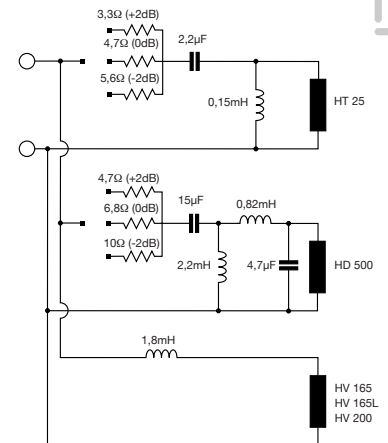
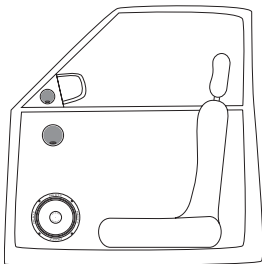


HI ENERGY

## 3W.30

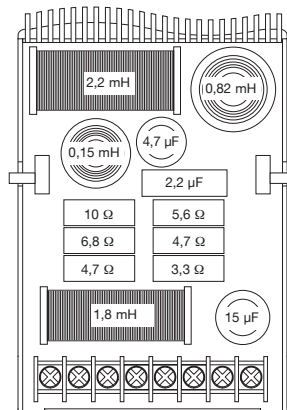
### Technical Specifications

<b>Component</b>	Three Way Passive Crossover	
<b>Size</b>	88x133x37	
<b>Power Handling (Watt)</b>	peak	300
	continuous program	150
<b>Crossover Frequency</b>	Hz	850
		4,5k
<b>Slope</b>	dB/Oct.	6-12
		12-12
<b>Specific Components</b>	HT 25 +	HV 165
		HV 165L
	HD 500 +	HV 200
<b>Adjustment</b>	+2; 0; -2 dB	TW/MID



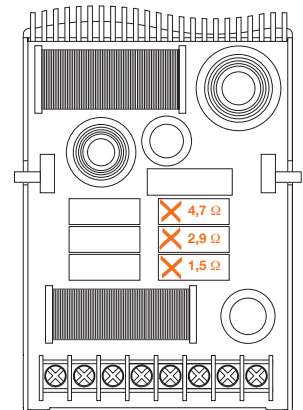
### 3W.30

Originale  
Original



### 3W.30\_M20

Modifica per l'utilizzo con il tweeter HT 20  
Tuning to be used with HT 20 tweeter



### Tweeter Midrange Woofer Crossover

HT 25	HD 500	HV 165	3W.30
HT 25	HD 500	HV 165 L	3W.30
HT 25	HD 500	HV 200	3W.30

HT 20 sostituisce le resistenze originali con altre di valore indicato nello schema utilizzando le audioresistor First R5 di AZ audiocomp

Replace the original resistors with other values ones, as indicated in the drawing, using First R5 audiocomp

CROSSOVER