

FSN020.71F

Lavoce

2" FULLRANGE

NEODYMIUM MAGNET
STEEL BASKET DRIVER



- 0.75 INCH CCAW VOICE COIL
- 87 dB/SPL SENSITIVITY
- 30 WATT PROGRAM POWER HANDLING
- FEM OPTIMIZED MOTOR AND SUSPENSIONS
- COPPER RING FOR EXTENDED FREQUENCY RESPONSE
- RESONANCE FREE AND HEAVY DUTY STEEL BASKET DESIGN
- FLAT BASKET FLANGE FOR EASY MOUNTING

GENERAL SPECIFICATIONS

| | | |
|----------------------------|---------------------------|-----------------------------------|
| Nominal diameter | mm (in.) | 50 (2) |
| Nominal impedance | Ω | 8 |
| Minimum impedance | Ω | 6,8 |
| Program power (1) | W | 30 |
| AES Power rating (2) | W | 15 |
| Sensitivity (3) | dB | 87 |
| Frequency range | Hz | 200 ÷ 20000 |
| Voice coil diameter | mm (in.) | 20 (0.75) |
| Chassis material | Steel | |
| Magnet material | Neodymium | |
| Magnet dimensions OD x h | mm (in.) | 19x5 + 19x3 (0.75x0.2 + 0.75x0.1) |
| Coil material | CCAW | |
| Former material | Polyimide | |
| Cone material | Water Proof Treated Paper | |
| Surround material | Polycotton | |
| Xmax (4) | mm (in.) | 2,4 (0.09) |
| Xmech (5) | mm (in.) | 2,6 (0.1) |
| Gap height | mm (in.) | 3 (0.12) |
| Voice coil winding height | mm (in.) | 6,2 (0.24) |
| Driver displacement volume | l (ft ³) | 0,028 (0.001) |

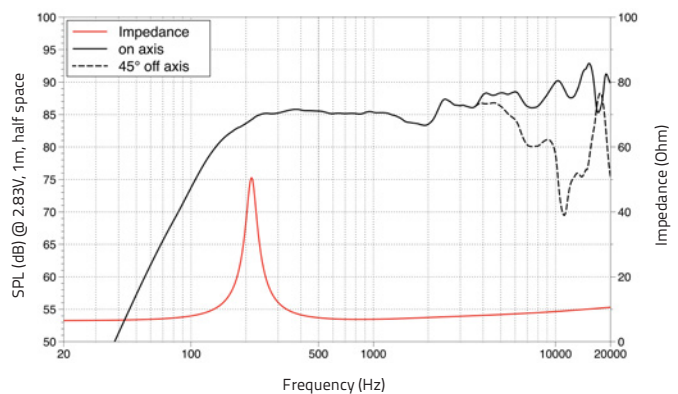
SMALL SIGNAL PARAMETERS

| | | | |
|-----------------------|-------|-------------------------------------|------------|
| DC resistance | Re | Ohm | 6,4 |
| Resonance frequency | Fs | Hz | 212 |
| Moving mass | Mms | g (oz) | 1,1 (0.04) |
| Compliance | Cms | mm/N | 0,48 |
| Force factor | BxL | N/A | 3,2 |
| Mechanical Q-factor | Qms | | 6,3 |
| Electrical Q-factor | Qes | | 0,94 |
| Total Q-factor | Qts | | 0,82 |
| Equivalent air volume | Vas | l (ft ³) | 0,2 (0.01) |
| Voice coil Inductance | Le | mH | 0,06 |
| Diaphragm area | Sd | cm ² (in. ²) | 17,4 (2.7) |
| Reference efficiency | Eta 0 | % | 0,2 |

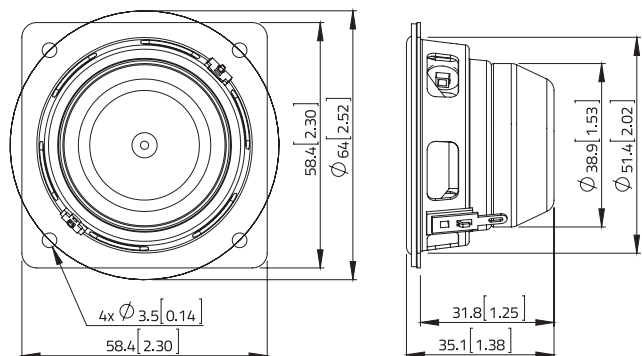
SHIPPING INFORMATION

| | | |
|---------------------|----------|-------------------------------------|
| Net weight | kg (lb.) | 0,15 (0.34) |
| Multipack size (60) | mm (in.) | 440 x 397 x 182 (17.3 x 15.6 x 7.2) |
| Multipack weight | kg (lb.) | 12,9 (28.5) |

FREQUENCY RESPONSE



DIMENSIONS mm (in.)



(1) Program power is defined as 3 dB greater than AES Power. (2) Tested for two hours using a continuous, band-limited pink noise signal as per AES 2-1984 Rev. 2003. Loudspeaker tested in free air. (3) From T/S parameters, measured with Klippel DA LPM module. (4) The Xmax is calculated as: $(Hvc - Hg)/2 + Hg/4$. Hvc is the voice coil height and Hg the gap height. (5) The Xmech is calculated as: $(Hvc - Hg)/2 + (Hg - 2)$. Hvc is the voice coil height and Hg the gap height. (6) Thiele-Small parameters are measured after preconditioning: a) at 20°C - 22°C, 50% humidity for 2 hours; b) by Klippel LSI measurement.

All specifications subject to change without notice_B.a

