

DF10.14M
1" COMPRESSION DRIVER
FERRITE MOTOR

Lavoce

Lavoce

Low weight, easy mounting
1" compression driver



FEATURES

- FEM optimized motor, phaseplug and diaphragm
- 36 mm (1.4 in.) Edgewound CCA voice coil, with kapton former
- 60 W program power handling (30 W AES)
- 106 dB SPL 1W/ 1m sensitivity
- 1500 - 20000 Hz frequency range
- Polyester diaphragm
- Smooth frequency response

APPLICATION NOTES

Suitable for 2-way and 3-way systems



Lavoce Italiana

www.lavocespeakers.com - info@lavocespeakers.com

International Sales Dept. - Italy - T +39 0733 870 840 - M +39 349 47 60 452 - F +39 0733 870 880 - sales@lavocespeakers.com

Sales Office - China - T +86 573 8910 5858 - M +86 186 2181 7905 - F +86 573 8910 5859 - sales.cn@lavocespeakers.com

DF10.14M

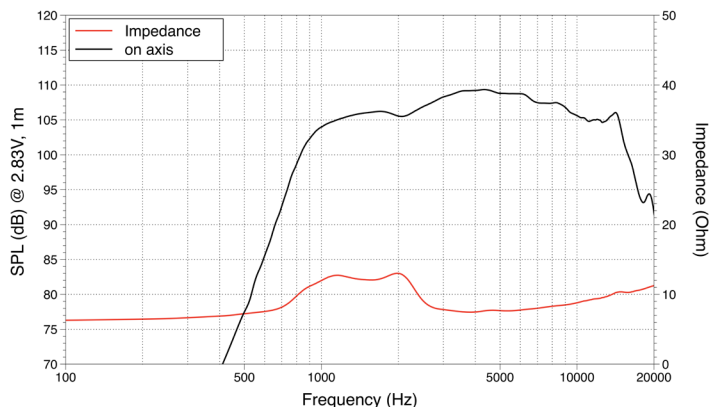
1" COMPRESSION DRIVER

FERRITE MOTOR

Lavoce

GENERAL SPECIFICATIONS

Throat diameter	mm (in.)	25,4 (1)
Nominal impedance	Ω	8
Minimum impedance	Ω	7,4
Program power (1)	W	60
AES Power rating (2)	W	30
Sensitivity (3)	dB	106
Frequency range	Hz	1500 ÷ 20000
Voice coil diameter	mm (in.)	36 (1.4)
Magnet material	Ferrite	
Magnet OD	mm (in.)	90 (3.5)
Coil material	Edgewound flat copper clad aluminium wire	
Former material	Kapton	
Ferrofluid	No	
Diaphragm material	Polyester	
Surround material	Polyester, vented	
Voice coil Inductance	mH	0,09
Flux density	T	1,5
Recommended crossover (4)	Hz	1700

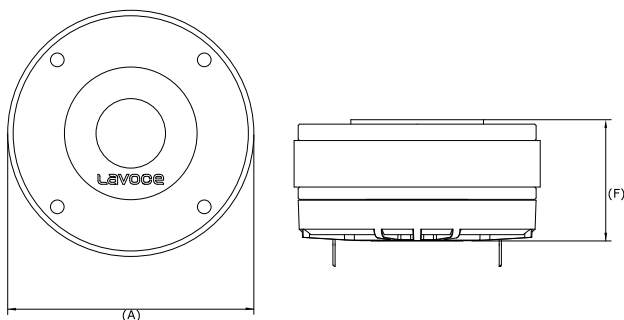


MOUNTING INFORMATION

Mounting holes	Four M5 holes at 90° on 76 mm (2.99 in) diameter	
Overall diameter (A)	mm (in.)	90 (3.54)
Overall depth (F)	mm (in.)	44,5 (1.75)
Volume occupied by the driver	l (ft³)	0,3 (0.010)

SHIPPING INFORMATION

Net weight	Kg (lb.)	1,0 (2.2)
Multipack size (12)	mm x mm x mm	498 x 412 x 98
W x D x H	(in. x in. x in.)	(19.6 x 16.2 x 3.8)
Multipack weight	Kg (lb.)	13,5 (29.7)



- 1 - Program power is defined as 3 dB greater than AES Power.
- 2 - Horn loaded test for 2h with continuous, band-limited (1700-20000 Hz, 12dB/oct.) pink noise as per AES 2-1984 Rev. 2003
- 3 - Measured on axis at 2.83V, 1m, driver loaded with 90° x 40° horn, SPL averaged in the frequency range 1700 ÷ 20000 Hz.
- 4 - High pass filter with slope 12dB/oct. or higher.

Lavoce Italiana

www.lavocespeakers.com - info@lavocespeakers.com

International Sales Dept. - Italy - T +39 0733 870 840 - M +39 349 47 60 452 - F +39 0733 870 880 - sales@lavocespeakers.com
 Sales Office - China - T +86 573 8910 5858 - M +86 186 2181 7905 - F +86 573 8910 5859 - sales.cn@lavocespeakers.com