

DF10.10LM

Lavoce

1" COMPRESSION DRIVER

FERRITE MAGNET



- 1 INCH CCAW VOICE COIL
- 107 dB/SPL SENSITIVITY
- 30 W PROGRAM POWER HANDLING
- FEM OPTIMIZED MOTOR, PHASEPLUG AND DIAPHRAGM
- 1500 - 18000 Hz FREQUENCY RANGE
- POLYESTER DIAPHRAGM

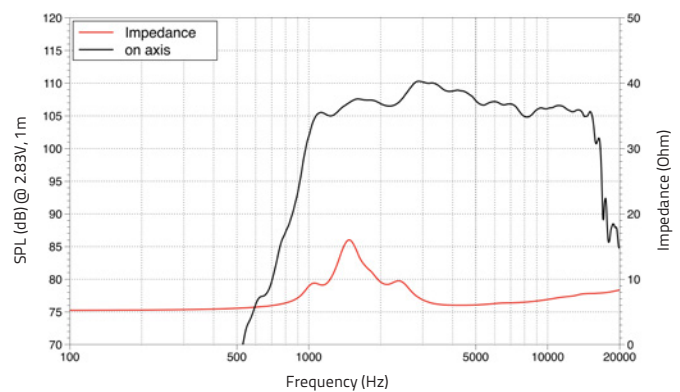
GENERAL SPECIFICATIONS

Throat diameter	mm (in.)	25,4 (1)
Nominal impedance	Ω	8
Minimum impedance	Ω	6,0
Program power (1)	W	30
AES Power rating (2)	W	15
Sensitivity (3)	dB	107
Frequency range	Hz	1500 ÷ 18000
Voice coil diameter	mm (in.)	25,4 (1)
Magnet material	Ferrite	
Magnet OD	mm (in.)	85 (3,3)
Coil material	CCAW	
Former material	Kapton	
Diaphragm material	Polyester	
Surround material	Polyester	
Voice coil Inductance	mH	0,03
Flux density	T	1,5
Recommended crossover (4)	Hz	2500
Driver displacement volume	l (ft ³)	0,2 (0.007)

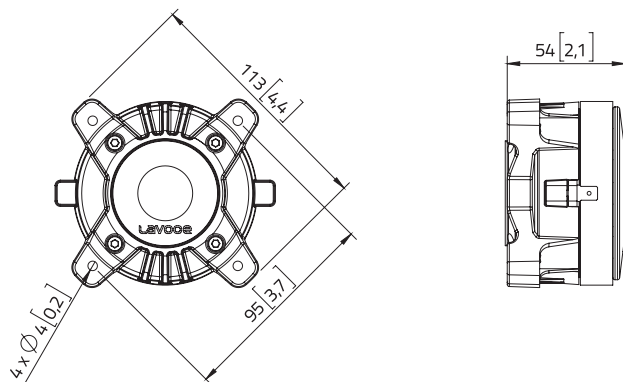
SHIPPING INFORMATION

Net weight	kg (lb.)	0,8 (1.7)
Multipack size (12)	mm	498 x 412 x 98
W x D x H	(in.)	(19.6 x 16.2 x 3.9)
Multipack weight	kg (lb.)	11,5 (25.2)

FREQUENCY RESPONSE



DIMENSIONS mm (in.)



(1) Program power is defined as 3 dB greater than AES Power. (2) Tested for two hours using a continuous, band-limited (2500-20000 Hz, 12dB/oct.) pink noise signal as per AES 2-1984 Rev. 2003. (3) Driver mounted on 80° x 80° horn. (4) Measured on axis at 2.83V, 1m, SPL averaged in the frequency range 1500 ÷ 18000 Hz. (3) High pass filter with slope 12dB/oct. or higher.

All specifications subject to change without notice_B.b

WWW.LAVOCESPEAKERS.COM



Lavoce Italiana

sales@lavocespeakers.com sales.cn@lavocespeakers.com