

WSF102.00

Lavoce

10" WOOFER

FERRITE MAGNET
STEEL BASKET DRIVER



- 2 INCH CCAW VOICE COIL
- 97 dB/SPL SENSITIVITY
- 350 WATT PROGRAM POWER HANDLING
- FEM OPTIMIZED MOTOR AND SUSPENSIONS
- RESONANCE FREE AND HEAVY DUTY BASKET DESIGN

GENERAL SPECIFICATIONS

Nominal diameter	mm (in.)	250 (10)
Nominal impedance	Ω	8
Minimum impedance	Ω	6,0
Program power (1)	W	350
AES Power rating (2)	W	175
Sensitivity (3)	dB	97
Frequency range	Hz	60 ÷ 4000
Voice coil diameter	mm (in.)	51 (2)
Chassis material	Steel	
Magnet material	Ferrite	
Magnet dimensions OD x ID x h	mm (in.)	140 x 60 x 17 (5.51 x 2.36 x 0.67)
Coil material	CCA W	
Former material	Glass Fiber	
Cone material	Water Proof Treated Paper	
Surround material	Polycotton	
Xmax (4)	mm (in.)	5,3 (0.21)
Xmech (5)	mm (in.)	9,3 (0.37)
Gap height	mm (in.)	8 (0.31)
Voice coil winding height	mm (in.)	14,6 (0.57)
Driver displacement volume	l (ft ³)	1,2 (0.04)

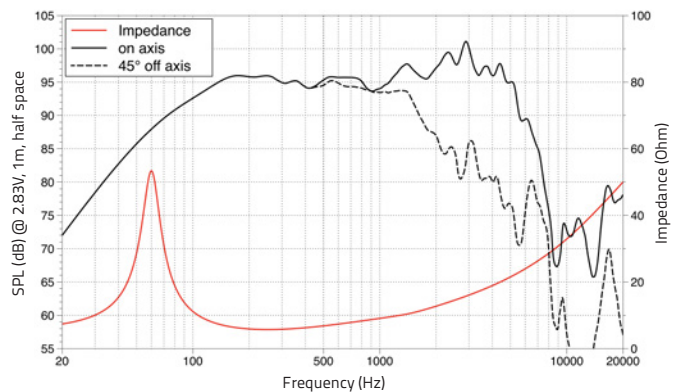
SMALL SIGNAL PARAMETERS

DC resistance	Re	Ohm	5,2
Resonance frequency	Fs	Hz	65
Moving mass	Mms	g (oz)	30,4 (1.07)
Compliance	Cms	mm/N	0,20
Force factor	BxL	N/A	11,6
Mechanical Q-factor	Qms		5,7
Electrical Q-factor	Qes		0,48
Total Q-factor	Qts		0,44
Equivalent air volume	Vas	l (ft ³)	36,6 (1.29)
Voice coil Inductance	Le	mH	0,50
Diaphragm area	Sd	cm ² (in. ²)	363 (56.27)
Reference efficiency	Eta 0	%	2

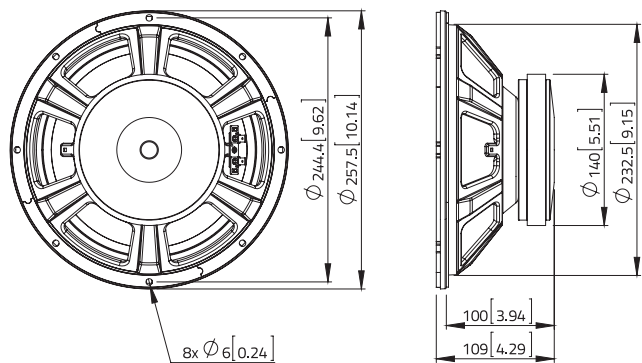
SHIPPING INFORMATION

Net weight	kg (lb.)	3,2 (7)
Multipack size (1)	mm (in.)	300 x 300 x 148 (11.8 x 11.8 x 5.8)
Multipack weight	kg (lb.)	4,1 (9)

FREQUENCY RESPONSE



DIMENSIONS mm (in.)



(1) Program power is defined as 3 dB greater than AES Power. (2) Tested for two hours using a continuous, band-limited pink noise signal as per AES 2-1984 Rev. 2003. Loudspeaker tested in free air. (3) From T/S parameters, measured with Klippel DA LPM module. (4) The Xmax is calculated as: $(Hvc - Hg)/2 + Hg/4$. Hvc is the voice coil height and Hg the gap height. (5) The Xmech is calculated as: $(Hvc - Hg)/2 + (Hg - 2)$. Hvc is the voice coil height and Hg the gap height. (6) Thiele-Small parameters are measured after preconditioning: a) at 20°C - 22°C, 50% humidity for 2 hours; b) by Klippel LSI measurement.

All specifications subject to change without notice_C.a

